

Certification Specifications and Acceptable Means of Compliance for All-weather Operations (CS-AWO)

Issue 2

31 January 2022¹

¹ For the date of entry into force of this Issue, please refer to ED Decision 2022/007/R at the [Official Publication](#) of EASA.

Preamble	10
SUBPART A — ENABLING EQUIPMENT	17
SECTION 1 — AUTOMATIC LANDING SYSTEMS (ALSs)	17
GENERAL.....	17
CS AWO.A.ALS.101 Applicability.....	17
AMC AWO.A.ALS.101(a) Applicability and terminology	17
CS AWO.A.ALS.102 Safety level.....	17
CS AWO.A.ALS.103 Control actions.....	18
CS AWO.A.ALS.104 Approach speed	18
EQUIPMENT.....	18
CS AWO.A.ALS.105 Automatic speed control	18
AMC AWO.A.ALS.105(b)(1) Automatic speed control	18
PERFORMANCE.....	19
CS AWO.A.ALS.106 Performance demonstration	19
AMC AWO.A.ALS.106 Performance demonstration	20
CS AWO.A.ALS.107 Aerodrome conditions.....	26
CS AWO.A.ALS.108 Approach and automatic landing with an inoperative engine.....	26
AMC AWO.A.ALS.108 Approach and automatic landing with an inoperative engine — Performance demonstration	26
CS AWO.A.ALS.109 Automatic landing distance	27
AMC AWO.A.ALS.109 Automatic landing distance	27
CONTROLS, INDICATORS AND ALERTS	27
CS AWO.A.ALS.110 Controls, indicators and alerts — General	27
AMC AWO.A.ALS.110 Controls, indicators and alerts — General	28
FAILURE CONDITIONS.....	29
CS AWO.A.ALS.111 General	29
CS AWO.A.ALS.112 Failure of xLS navigation means (facilities external to the aircraft, including signal-in-space)	29
AMC AWO.A.ALS.112 Failure of xLS navigation means (facilities external to the aircraft, including signal-in-space).....	29
AEROPLANE FLIGHT MANUAL	29
CS AWO.A.ALS.113 General	29
AMC AWO.A.ALS.113(f) Aeroplane flight manual	30
CS AWO.A.ALS.114 Wind speed limitations.....	30
CS AWO.A.ALS.115 Approach and automatic landing with an inoperative engine.....	30
SECTION 2 — HEAD-UP DISPLAYS (HUDs)	31
GENERAL.....	31
CS AWO.A.HUD.101 Applicability and terminology.....	31
AMC AWO.A.HUD.101 Applicability and terminology.....	31
CS AWO.A.HUD.102 Go-around.....	31
CS AWO.A.HUD.103 HUD (or equivalent display) information below decision height	32
AMC AWO.A.HUD.103 HUD information.....	32
CS AWO.A.HUD.104 Control of take-off roll, flight path and ground roll.....	32

CONTROLS, INDICATORS AND ALERTS	33
CS AWO.A.HUD.105 Presentation of information to the flight crew.....	33
AMC AWO.A.HUD.105(a)(ii) Indications and alerts	34
AMC AWO.A.HUD.105(a)(iii) Indications provided to the pilot.....	34
AMC AWO.A.HUD.105(b)(2) Information to the pilot monitoring	34
CS AWO.A.HUD.106 Flight data recording	34
PERFORMANCE.....	34
CS AWO.A.HUD.107 Performance demonstration	34
AMC AWO.A.HUD.107 Performance demonstration	35
CS AWO.A.HUD.108 Fail-operational hybrid landing systems	36
FAILURE CONDITIONS.....	36
CS AWO.A.HUD.109 Head-up display landing systems.....	36
CS AWO.A.HUD.110 Head-up displays used for enhanced flight vision systems ..	36
CS AWO.A.HUD.111 Head-up displays used for synthetic vision guidance systems	37
CS AWO.A.HUD.112 Head-up display landing distance	38
AMC AWO.A.HUD.112 HUD landing distance.....	38
CS AWO.A.HUD.113 Flare cue performance.....	39
AMC1 AWO.A.HUD.113 Criteria for acceptable landing performance using a flare cue	39
AMC2 AWO.A.HUD.113 Conditions for the demonstration of an acceptable landing with flare cue	40
CS AWO.A.HUD.114 Assessment of the failure conditions relating to the use of flare cues	41
AMC AWO.A.HUD.114 Assessment of the failure conditions associated with the use of the flare cue.....	41
SECTION 3 — ENHANCED FLIGHT VISION SYSTEMS (EFVSs)	42
CS AWO.A.EFVS.101 General.....	42
AMC AWO.A.EFVS.101 General	42
CS AWO.A.EFVS.102 Enhanced flight vision system designation.....	43
CS AWO.A.EFVS.103 Enhanced flight vision system depiction.....	44
AMC AWO.A.EFVS.103 EFVS depiction	44
CS AWO.A.EFVS.104 Enhanced flight vision system display	45
AMC AWO.A.EFVS.104 EFVS display	47
CS AWO.A.EFVS.105 Head-up display enhanced flight vision system (HUD EFVS) symbology	50
AMC1 AWO.A.EFVS.105 HUD EFVS symbology.....	52
AMC2 AWO.A.EFVS.105(b) HUD EFVS symbology	52
CS AWO.A.EFVS.106 Enhanced flight vision system (EFVS) display controls	52
AMC AWO.A.EFVS.106 EFVS display controls	53
CS AWO.A.EFVS.107 Enhanced flight vision system (EFVS) safety assessment	53
AMC AWO.A.EFVS.107 EFVS safety assessment	53
CS AWO.A.EFVS.108 Enhanced flight vision system (EFVS) level of safety	54
AMC AWO.A.EFVS.108 EFVS level of safety	55
CS AWO.A.EFVS.109 Enhanced flight vision system (EFVS) performance.....	55

AMC1 AWO.A.EFVS.109 EFVS performance	56
CS AWO.A.EFVS.110 Enhanced flight vision system — landing (EFVS-L) — Landing performance	59
AMC1 AWO.A.EFVS.110 EFVS-L landing performance	59
AMC2 AWO.A.EFVS.110 Acceptable landing performance criteria for EFVS-Ls	60
CS AWO.A.EFVS.111 Enhanced flight visual system (EFVS) monitoring, annunciation and alerting	60
AMC AWO.A.EFVS.111 EFVS monitoring, annunciation and alerting	61
CS AWO.A.EFVS.112 Enhanced flight vision system (EFVS) documentation.....	61
AMC AWO.A.EFVS.112 EFVS documentation.....	61
Appendix 1 to the AMC to Section 3 of Subpart A.....	62
SECTION 4 — SYNTHETIC VISION GUIDANCE SYSTEMS (SVGSs)	64
GENERAL.....	64
CS AWO.A.SVGS.101 Applicability and terminology	64
AMC AWO.A.SVGS.101 General.....	64
CS AWO.A.SVGS.102 Synthetic vision guidance system (SVGS) scene depiction ..	65
CS AWO.A.SVGS.103 Minimum requirements for synthetic vision guidance system (SVGS) flight instrument displays.....	65
CS AWO.A.SVGS.104 Command guidance	66
CS AWO.A.SVGS.105 Synthetic vision guidance system (SVGS) — Use of a head-up display or equivalent display.....	67
CS AWO.A.SVGS.106 Field of regard (FOR)	67
CS AWO.A.SVGS.107 Head-down display (HDD) minification.....	67
SYSTEM MONITORING, ANNUNCIATION AND ALERTING	67
CS AWO.A.SVGS.108 Information provided to the flight crew	67
CS AWO.A.SVGS.109 Annunciation of the synthetic vision guidance system’s (SVGS) mode and status.....	68
CS AWO.A.SVGS.110 Synthetic view guidance system (SVGS) fault detection and alerting	68
CS AWO.A.SVGS.111 Flight technical error	68
CS AWO.A.SVGS.112 Navigation system error.....	68
TERRAIN, RUNWAY AND OBSTACLE DATABASES	69
CS AWO.A.SVGS.113 Databases — general	69
SVGS FLIGHT DISPLAY ELEMENTS.....	69
CS AWO.A.SVGS.114 Minimum display size.....	69
CS AWO.A.SVGS.115 HUD SVGS — pilot controls.....	69
SVGS FLIGHT DISPLAY PERFORMANCE.....	69
CS AWO.A.SVGS.116 Latency	69
CS AWO.A.SVGS.117 Jitter	70
CS AWO.A.SVGS.118 Flicker	70
CS AWO.A.SVGS.119 Image artefacts	70
CS AWO.A.SVGS.120 HUD (or equivalent display) processing error.....	70
CS AWO.A.SVGS.121 SVGS scene depiction alignment.....	70
AIRCRAFT POSITION MONITORING AND ALERTING	70
CS AWO.A.SVGS.122 Aircraft position monitoring and alerting	70
CS AWO.A.SVGS.123 Excessive deviation	71

CS AWO.A.SVGS.124 Annunciation of the system's mode and status.....	71
CS AWO.A.SVGS.125 Determination of the missed approach point (MAPt)	71
CS AWO.A.SVGS.126 Altimetry requirements	71
CS AWO.A.SVGS.127 Barometric altimeter / air data source	72
CS AWO.A.SVGS.128 Geometric altimetry/GPS data source	72
SVGS SCENE	72
CS AWO.A.SVGS.129 Depiction of terrain and runway of intended landing	72
CS AWO.A.SVGS.130 SVGS scene depiction positioning.....	72
SYSTEM SAFETY AND DESIGN ASSURANCE LEVEL (DAL)	72
CS AWO.A.SVGS.131 System safety objectives.....	72
CS AWO.A.SVGS.132 Overall system safety design criteria	73
CS AWO.A.SVGS.133 Flight data recorder (FDR).....	73
CS AWO.A.SVGS.134 SVGS documentation	73
SECTION 5 — COMBINED VISION SYSTEMS (CVSs).....	74
GENERAL.....	74
CS AWO.A.CVS.101 General	74
APPENDIX 1 TO THE ACCEPTABLE MEANS OF COMPLIANCE TO SUBPART A 'MODELS'	75
Signal-in-space models for approach and landing simulation and fault analysis	75
SUBPART B — APPROACH AND LANDING.....	102
SECTION 1 — AIRWORTHINESS CERTIFICATION OF AEROPLANES FOR OPERATIONS WITH DECISION ALTITUDES/HEIGHTS (DAs/Hs) NOT LOWER THAN 60 M (200 FT) — CATEGORY I (CAT I) OPERATIONS	102
GENERAL.....	102
CS AWO.B.CATI.101 Applicability	102
AMC AWO.B.CATI.101 Applicability.....	102
CS AWO.B.CATI.102 Terminology	102
AMC AWO.B.CATI.102 Terminology	102
SECTION 2 — AIRWORTHINESS CERTIFICATION OF AEROPLANES FOR OPERATIONS WITH DECISION HEIGHTS (DHs) BELOW 60 M (200 FT) AND DOWN TO 45 M (150 FT) — SPECIAL AUTHORISATION CATEGORY I (SA CAT I) OPERATIONS.....	104
GENERAL.....	104
CS AWO.B.SACATI.101 Applicability.....	104
AMC AWO.B.SACATI.101(a) Applicability and terminology.....	104
CS AWO.B.SACATI.102 Safety level	106
AMC AWO.B.SACATI.102 Safety level	106
CS AWO.B.SACATI.103 Go-around rate.....	106
AMC AWO.B.SACATI.103 Go-around rate	106
CS AWO.B.SACATI.104 Flight crew workload.....	106
CS AWO.B.SACATI.105 Control of flight path.....	107
CS AWO.B.SACATI.106 Control of speed.....	107
CS AWO.B.SACATI.107 Manual control.....	107
AMC AWO.B.SACATI.107 Manual control.....	107
CS AWO.B.SACATI.108 Oscillations and deviations	107
CS AWO.B.SACATI.109 Decision height (DH) recognition	108
CS AWO.B.SACATI.110 Go-arounds	108

EQUIPMENT.....	108
CS AWO.B.SACATI.111 Installed equipment	108
AMC AWO.B.SACATI.111 Installed equipment	109
CS AWO.B.SACATI.112 Minimum equipment	110
PERFORMANCE.....	110
CS AWO.B.SACATI.113 Flight path and speed control	110
AMC AWO.B.SACATI.113 Flight demonstration	110
CS AWO.B.SACATI.114 Decision height (DH)	110
CS AWO.B.SACATI.115 Excess-deviation alerts.....	111
CS AWO.B.SACATI.116 Go-around climb gradient.....	111
CONTROLS, INDICATORS AND ALERTS	111
CS AWO.B.SACATI.117 Mode selection and switching	111
AMC AWO.B.SACATI.117 Mode selection and switching	111
CS AWO.B.SACATI.118 Presentation of information to the flight crew.....	112
FAILURE CONDITIONS.....	112
CS AWO.B.SACATI.119 General.....	112
AMC AWO.B.SACATI.119 Failure conditions.....	112
CS AWO.B.SACATI.120 Failure of xLS navigation means (facilities external to the aircraft, including signal-in-space)	112
AMC AWO.B.SACATI.120 Failure of xLS navigation means (facilities external to the aircraft, including signal-in-space)	113
CS AWO.B.SACATI.121 Radio altimeter (or other device capable of providing equivalent performance and integrity level)	114
CS AWO.B.SACATI.122 Excess-deviation alerts.....	114
AEROPLANE FLIGHT MANUAL (AFM)	114
CS AWO.B.SACATI.123 General.....	114
SECTION 3 — AIRWORTHINESS CERTIFICATION OF AEROPLANES FOR OPERATIONS WITH DECISION HEIGHTS (DHs) BELOW 60 M (200 FT) AND DOWN TO 30 M (100 FT) — CATEGORY II (CAT II) OPERATIONS	116
GENERAL.....	116
CS AWO.B.CATII.101 Applicability	116
AMC AWO.B.CATII.101(a) Applicability and terminology	116
CS AWO.B.CATII.102 Safety level	117
AMC AWO.B.CATII.102 Safety level	117
CS AWO.B.CATII.103 Go-around rate.....	117
AMC AWO.B.CATII.103 Go-around Rate.....	117
CS AWO.B.CATII.104 Flight crew workload	118
CS AWO.B.CATII.105 Control of flight path.....	118
CS AWO.B.CATII.106 Control of speed.....	118
CS AWO.B.CATII.107 Manual control.....	118
AMC AWO.B.CATII.107 Manual control.....	118
CS AWO.B.CATII.108 Oscillations and deviations.....	119
CS AWO.B.CATII.109 Decision height recognition	119
CS AWO.B.CATII.110 Go-arounds.....	119
EQUIPMENT.....	119
CS AWO.B.CATII.111 Installed equipment	119
AMC AWO.B.CATII.111 Installed equipment	120

CS AWO.B.CATII.112 Minimum equipment	120
AMC AWO.B.CATII.112 Minimum equipment	121
PERFORMANCE.....	121
CS AWO.B.CATII.113 Flight path and speed control	121
AMC AWO.B.CATII.113 Flight demonstration.....	121
CS AWO.B.CATII.114 Decision height (DH).....	132
CS AWO.B.CATII.115 Excess-deviation alerts.....	132
AMC AWO.B.CATII.115(a) Excess-deviation alerts	132
CS AWO.B.CATII.116 Go-around climb gradient.....	132
CONTROLS, INDICATORS AND ALERTS	133
CS AWO.B.CATII.117 Mode selection and switching	133
CS AWO.B.CATII.118 Presentation of information to the flight crew	133
FAILURE CONDITIONS.....	133
CS AWO.B.CATII.119 General.....	133
CS AWO.B.CATII.120 Radio altimeter (or other device capable of providing for equivalent performance and integrity level)	133
CS AWO.B.CATII.121 Excess-deviation alerts.....	133
AEROPLANE FLIGHT MANUAL (AFM)	134
CS AWO.B.CATII.122 General.....	134
AMC AWO.B.CATII.122 Aeroplane flight manual.....	134
SECTION 4 — AIRWORTHINESS CERTIFICATION OF AEROPLANES FOR OPERATIONS WITH DECISION HEIGHTS (DHs) BELOW 30 M (100 FT) OR NO DECISION HEIGHT (DH) — CATEGORY III (CAT III) OPERATIONS.....	135
GENERAL.....	135
CS AWO.B.CATIII.101 Applicability.....	135
AMC AWO.B.CATIII.101(a) Applicability and terminology.....	135
CS AWO.B.CATIII.102 Safety level	138
AMC AWO.B.CATIII.102 Safety level	139
CS AWO.B.CATIII.103 Go-around rate.....	139
CS AWO.B.CATIII.104 Minimum flight crew	139
CS AWO.B.CATIII.105 Control of flight path and ground roll	139
CS AWO.B.CATIII.106 Control of speed.....	140
CS AWO.B.CATIII.107 Manual control.....	140
CS AWO.B.CATIII.108 Oscillations and deviations.....	140
CS AWO.B.CATIII.109 Alert height.....	140
AMC AWO.B.CATIII.109 Alert height	141
CS AWO.B.CATIII.110 Decision height.....	141
CS AWO.B.CATIII.111 Decision height recognition	141
CS AWO.B.CATIII.112 Go-around	141
AMC AWO.B.CATIII.112 Go-around	141
EQUIPMENT.....	142
CS AWO.B.CATIII.113 Installed equipment	142
AMC AWO.B.CATIII.113 Installed equipment	144
AMC AWO.B.CATIII.113(b)(2) Suitability of aircraft for fail-passive operations with a decision height of 50 ft or greater	145
CS AWO.B.CATIII.114 Minimum equipment	147
PERFORMANCE.....	147

CS AWO.B.CATIII.115 Performance demonstration.....	147
AMC AWO.B.CATIII.115 Performance demonstrations.....	148
CS AWO.B.CATIII.116 Head-up display fail-operational hybrid landing system ..	154
CS AWO.B.CATIII.117 Automatic ground-roll control	154
CS AWO.B.CATIII.118 Landing distance.....	155
AMC AWO.B.CATIII.118 Landing distance	155
CONTROLS, INDICATORS AND ALERTS	156
CS AWO.B.CATIII.119 Mode selection and switching	156
CS AWO.B.CATIII.120 Indications and alerts	156
FAILURE CONDITIONS.....	157
CS AWO.B.CATIII.121 General.....	157
AMC1 AWO.B.CATIII.121 Flight demonstrations of failure conditions.....	157
AMC2 AWO.B.CATIII.121 Flight crew and maintenance checks	157
CS AWO.B.CATIII.122 Fail-passive automatic landing system (including super fail-passive system)	158
AMC1 AWO.B.CATIII.122(a) and AWO.B.CATIII.123(a) Loss of system function.....	158
AMC2 AWO.B.CATIII.122(a) Safety of the manual landing and go-around manoeuvres following a loss of the automatic control capability for fail-passive systems.....	158
CS AWO.B.CATIII.123 Fail-operational landing system (automatic or hybrid).....	160
AMC AWO.B.CATIII.123 Safety of the manual landing and go-around manoeuvres following a loss of the automatic control capability for fail-operational landing systems (automatic or hybrid)	160
CS AWO.B.CATIII.124 Head-up display (or other form of guidance display) fail-operational hybrid landing system	162
CS AWO.B.CATIII.125 Nose-wheel steering	162
CS AWO.B.CATIII.126 Automatic go-around	162
AEROPLANE FLIGHT MANUAL (AFM)	162
CS AWO.B.CATIII.127 General.....	162
AMC AWO.B.CATIII.127(a) Aeroplane flight manual	163
AMC AWO.B.CATIII.127(g) Aeroplane flight manual	163
CERTIFICATION DOCUMENTATION	163
CS AWO.B.CATIII.128 Documentation required.....	163
SECTION 5 — AIRWORTHINESS CERTIFICATION OF AEROPLANES FOR OPERATIONAL CREDITS FOR VISUAL SEGMENT IN REDUCED RUNWAY VISUAL RANGE (RRVR).....	165
CS AWO.B.RRVR.101 Applicability.....	165
SUBPART C — TAKE-OFF	166
SECTION 1 — AIRWORTHINESS CERTIFICATION OF AEROPLANES FOR TAKE-OFF OPERATIONS (TOOs) IN LOW VISIBILITY	166
CS AWO.C.TOO.101 Applicability	166
AMC AWO.C.TOO.101 Applicability and terminology	166
CS AWO.B.RRVR.101 Applicability	167
AMC AWO.C.TOO.102 Safety level	167
CS AWO.C.TOO.103 Guidance information	167
CS AWO.C.TOO.104 Guidance display	168

AMC AWO.C.TOO.104(c) Guidance display	168
EQUIPMENT.....	168
CS AWO.C.TOO.105 Minimum equipment	168
PERFORMANCE.....	168
CS AWO.C.TOO.106 Performance demonstration	168
AMC AWO.C.TOO.106 Performance.....	169
CS AWO.C.TOO.107 Limitations and procedures.....	169
CONTROLS, INDICATORS AND ALERTS	170
CS AWO.C.TOO.108 Alerts	170
AMC AWO.C.TOO.108 Alerts	170
FAILURE CONDITIONS (See AMC 25.1309).....	170
CS AWO.C.TOO.109 Guidance system	170
CS AWO.C.TOO.110 Aeroplane failures	170
AEROPLANE FLIGHT MANUAL (AFM)	171
CS AWO.C.TOO.111 General	171
AMC AWO.C.TOO.111 Aeroplane flight manual — General.....	171
GENERAL ACCEPTABLE MEANS OF COMPLIANCE.....	173
AMC AWO-1 All-weather operations recertification following the installation of new or modified navigation receivers providing xLS capability	173

PREAMBLE

ED Decision 2022/007/R

Issue 2

The following is a list of paragraphs affected by this Issue:

Certification Specifications	
Subpart A	
CS AWO.A.ALS.101	Amended (NPA 2018-06(B))
CS AWO.A.ALS.102	Amended (NPA 2018-06(B))
CS AWO.A.ALS.103	Amended (NPA 2018-06(B))
CS AWO.A.ALS.104	Amended (NPA 2018-06(B))
CS AWO 105	Deleted (NPA 2018-06(B))
CS AWO 106	Deleted (NPA 2018-06(B))
CS AWO 107	Deleted (NPA 2018-06(B))
CS AWO.A.ALS.105	Amended (NPA 2018-06(B))
CS AWO.A.ALS.106	Amended (NPA 2018-06(B))
CS AWO.A.ALS.107	Amended (NPA 2018-06(B))
CS AWO.A.ALS.108	Amended (NPA 2018-06(B))
CS AWO.A.ALS.109	Amended (NPA 2018-06(B))
CS AWO.A.ALS.110	Amended (NPA 2018-06(B))
CS.AWO.A.ALS.111	Deleted (NPA 2018-06(B))
CS.AWO.A.ALS.112	Deleted (NPA 2018-06(B))
CS AWO.A.ALS.111	Amended (NPA 2018-06(B))
CS AWO.A.ALS.112	Amended (NPA 2018-06(B))
CS AWO.A.ALS.113	Amended (NPA 2018-06(B))
CS AWO.A.ALS.114	Amended (NPA 2018-06(B))
CS AWO.A.ALS.115	Amended (NPA 2018-06(B))
CS AWO.A.HUD.101	Inserted (NPA 2018-06(B))
CS AWO.A.HUD.102	Inserted (NPA 2018-06(B))
CS AWO.A.HUD.103	Inserted (NPA 2018-06(B))
CS AWO.A.HUD.104	Inserted (NPA 2018-06(B))
CS AWO.A.HUD.105	Inserted (NPA 2018-06(B))
CS AWO.A.HUD.106	Inserted (NPA 2018-06(B))
CS AWO.A.HUD.107	Inserted (NPA 2018-06(B))
CS AWO.A.HUD.108	Inserted (NPA 2018-06(B))
CS AWO.A.HUD.109	Inserted (NPA 2018-06(B))
CS AWO.A.HUD.110	Inserted (NPA 2018-06(B))
CS AWO.A.HUD.111	Inserted (NPA 2018-06(B))
CS AWO.A.HUD.112	Inserted (NPA 2018-06(B))
CS AWO.A.HUD.113	Inserted (NPA 2018-06(B))
CS AWO.A.HUD.114	Inserted (NPA 2018-06(B))
CS AWO.A.EFVS.101	Inserted (NPA 2018-06(B))

CS AWO.A.EFVS.102	Inserted (NPA 2018-06(B))
CS AWO.A.EFVS.103	Inserted (NPA 2018-06(B))
CS AWO.A.EFVS.104	Inserted (NPA 2018-06(B))
CS AWO.A.EFVS.105	Inserted (NPA 2018-06(B))
CS AWO.A.EFVS.106	Inserted (NPA 2018-06(B))
CS AWO.A.EFVS.107	Inserted (NPA 2018-06(B))
CS AWO.A.EFVS.108	Inserted (NPA 2018-06(B))
CS AWO.A.EFVS.109	Inserted (NPA 2018-06(B))
CS AWO.A.EFVS.110	Inserted (NPA 2018-06(B))
CS AWO.A.EFVS.111	Inserted (NPA 2018-06(B))
CS AWO.A.EFVS.112	Inserted (NPA 2018-06(B))
CS AWO.A.SVGS.101	Inserted (NPA 2018-06(B))
CS AWO.A.SVGS.102	Inserted (NPA 2018-06(B))
CS AWO.A.SVGS.103	Inserted (NPA 2018-06(B))
CS AWO.A.SVGS.104	Inserted (NPA 2018-06(B))
CS AWO.A.SVGS.105	Inserted (NPA 2018-06(B))
CS AWO.A.SVGS.106	Inserted (NPA 2018-06(B))
CS AWO.A.SVGS.107	Inserted (NPA 2018-06(B))
CS AWO.A.SVGS.108	Inserted (NPA 2018-06(B))
CS AWO.A.SVGS.109	Inserted (NPA 2018-06(B))
CS AWO.A.SVGS.110	Inserted (NPA 2018-06(B))
CS AWO.A.SVGS.111	Inserted (NPA 2018-06(B))
CS AWO.A.SVGS.112	Inserted (NPA 2018-06(B))
CS AWO.A.SVGS.113	Inserted (NPA 2018-06(B))
CS AWO.A.SVGS.114	Inserted (NPA 2018-06(B))
CS AWO.A.SVGS.115	Inserted (NPA 2018-06(B))
CS AWO.A.SVGS.116	Inserted (NPA 2018-06(B))
CS AWO.A.SVGS.117	Inserted (NPA 2018-06(B))
CS AWO.A.SVGS.118	Inserted (NPA 2018-06(B))
CS AWO.A.SVGS.119	Inserted (NPA 2018-06(B))
CS AWO.A.SVGS.120	Inserted (NPA 2018-06(B))
CS AWO.A.SVGS.121	Inserted (NPA 2018-06(B))
CS AWO.A.SVGS.122	Inserted (NPA 2018-06(B))
CS AWO.A.SVGS.123	Inserted (NPA 2018-06(B))
CS AWO.A.SVGS.124	Inserted (NPA 2018-06(B))
CS AWO.A.SVGS.125	Inserted (NPA 2018-06(B))
CS AWO.A.SVGS.126	Inserted (NPA 2018-06(B))
CS AWO.A.SVGS.127	Inserted (NPA 2018-06(B))
CS AWO.A.SVGS.128	Inserted (NPA 2018-06(B))
CS AWO.A.SVGS.129	Inserted (NPA 2018-06(B))
CS AWO.A.SVGS.130	Inserted (NPA 2018-06(B))
CS AWO.A.SVGS.131	Inserted (NPA 2018-06(B))
CS AWO.A.SVGS.132	Inserted (NPA 2018-06(B))

CS AWO.A.SVGS.133	Inserted (NPA 2018-06(B))
CS AWO.A.SVGS.134	Inserted (NPA 2018-06(B))
CS AWO.A.CVS.101	Inserted (NPA 2018-06(B))
Subpart B	
CS AWO.B.CATI.101	Inserted (NPA 2018-06(B))
CS AWO.B.CATI.102	Inserted (NPA 2018-06(B))
CS AWO.B.SACATI.101	Inserted (NPA 2018-06(B))
CS AWO.B.SACATI.102	Inserted (NPA 2018-06(B))
CS AWO.B.SACATI.103	Inserted (NPA 2018-06(B))
CS AWO.B.SACATI.104	Inserted (NPA 2018-06(B))
CS AWO.B.SACATI.105	Inserted (NPA 2018-06(B))
CS AWO.B.SACATI.106	Inserted (NPA 2018-06(B))
CS AWO.B.SACATI.107	Inserted (NPA 2018-06(B))
CS AWO.B.SACATI.108	Inserted (NPA 2018-06(B))
CS AWO.B.SACATI.109	Inserted (NPA 2018-06(B))
CS AWO.B.SACATI.110	Inserted (NPA 2018-06(B))
CS AWO.B.SACATI.111	Inserted (NPA 2018-06(B))
CS AWO.B.SACATI.112	Inserted (NPA 2018-06(B))
CS AWO.B.SACATI.113	Inserted (NPA 2018-06(B))
CS AWO.B.SACATI.114	Inserted (NPA 2018-06(B))
CS AWO.B.SACATI.115	Inserted (NPA 2018-06(B))
CS AWO.B.SACATI.116	Inserted (NPA 2018-06(B))
CS AWO.B.SACATI.117	Inserted (NPA 2018-06(B))
CS AWO.B.SACATI.118	Inserted (NPA 2018-06(B))
CS AWO.B.SACATI.119	Inserted (NPA 2018-06(B))
CS AWO.B.SACATI.120	Inserted (NPA 2018-06(B))
CS AWO.B.SACATI.121	Inserted (NPA 2018-06(B))
CS AWO.B.SACATI.122	Inserted (NPA 2018-06(B))
CS AWO.B.SACATI.123	Inserted (NPA 2018-06(B))
CS AWO.B.CATII.101	Amended (NPA 2018-06(B))
CS AWO.B.CATII.102	Amended (NPA 2018-06(B))
CS AWO.B.CATII.103	Amended (NPA 2018-06(B))
CS AWO.B.CATII.104	Inserted (NPA 2018-06(B))
CS AWO.B.CATII.105	Amended (NPA 2018-06(B))
CS AWO.B.CATII.106	Amended (NPA 2018-06(B))
CS AWO.B.CATII.107	Amended (NPA 2018-06(B))
CS AWO.B.CATII.108	Amended (NPA 2018-06(B))
CS AWO.B.CATII.109	Amended (NPA 2018-06(B))
CS AWO.B.CATII.110	Amended (NPA 2018-06(B))
CS AWO.B.CATII.111	Amended (NPA 2018-06(B))
CS AWO.B.CATII.112	Amended (NPA 2018-06(B))
CS AWO.B.CATII.113	Amended (NPA 2018-06(B))
CS AWO.B.CATII.114	Amended (NPA 2018-06(B))

CS AWO.B.CATII.115	Amended (NPA 2018-06(B))
CS AWO.B.CATII.116	Amended (NPA 2018-06(B))
CS AWO.B.CATII.117	Amended (NPA 2018-06(B))
CS AWO.B.CATII.118	Amended (NPA 2018-06(B))
CS AWO.B.CATII.119	Amended (NPA 2018-06(B))
CS AWO.B.CATII.120	Amended (NPA 2018-06(B))
CS AWO.B.CATII.121	Amended (NPA 2018-06(B))
CS AWO.B.CATII.122	Amended (NPA 2018-06(B))
CS AWO.B.CATIII.101	Amended (NPA 2018-06(B))
CS AWO.B.CATIII.102	Amended (NPA 2018-06(B))
CS AWO.B.CATIII.103	Amended (NPA 2018-06(B))
CS AWO.B.CATIII.104	Amended (NPA 2018-06(B))
CS AWO.B.CATIII.105	Amended (NPA 2018-06(B))
CS AWO.B.CATIII.106	Amended (NPA 2018-06(B))
CS AWO.B.CATIII.107	Amended (NPA 2018-06(B))
CS AWO.B.CATIII.108	Amended (NPA 2018-06(B))
CS AWO.B.CATIII.109	Amended (NPA 2018-06(B))
CS AWO.B.CATIII.110	Amended (NPA 2018-06(B))
CS AWO.B.CATIII.111	Amended (NPA 2018-06(B))
CS AWO.B.CATIII.112	Amended (NPA 2018-06(B))
CS AWO.B.CATIII.113	Amended (NPA 2018-06(B))
CS AWO.B.CATIII.114	Amended (NPA 2018-06(B))
CS AWO.B.CATIII.115	Amended (NPA 2018-06(B))
CS AWO.B.CATIII.116	Amended (NPA 2018-06(B))
CS AWO.B.CATIII.117	Amended (NPA 2018-06(B))
CS AWO.B.CATIII.118	Amended (NPA 2018-06(B))
CS AWO.B.CATIII.119	Amended (NPA 2018-06(B))
CS AWO.B.CATIII.120	Amended (NPA 2018-06(B))
CS AWO.B.CATIII.121	Amended (NPA 2018-06(B))
CS AWO.B.CATIII.122	Amended (NPA 2018-06(B))
CS AWO.B.CATIII.123	Amended (NPA 2018-06(B))
CS AWO.B.CATIII.124	Amended (NPA 2018-06(B))
CS AWO.B.CATIII.125	Amended (NPA 2018-06(B))
CS AWO.B.CATIII.126	Amended (NPA 2018-06(B))
CS AWO.B.CATIII.127	Amended (NPA 2018-06(B))
CS AWO.B.CATIII.128	Amended (NPA 2018-06(B))
CS AWO.B.RRVR.101	Inserted (NPA 2018-06(B))
Subpart C	
CS AWO.C.TOO.101	Amended (NPA 2018-06(B))
CS AWO.C.TOO.102	Amended (NPA 2018-06(B))
CS AWO.C.TOO.103	Amended (NPA 2018-06(B))
CS AWO.C.TOO.104	Amended (NPA 2018-06(B))
CS AWO.C.TOO.105	Amended (NPA 2018-06(B))

CS AWO.C.TOO.106	Amended (NPA 2018-06(B))
CS AWO.C.TOO.107	Amended (NPA 2018-06(B))
CS AWO.C.TOO.108	Amended (NPA 2018-06(B))
CS AWO.C.TOO.109	Amended (NPA 2018-06(B))
CS AWO.C.TOO.110	Amended (NPA 2018-06(B))
CS AWO.C.TOO.111	Amended (NPA 2018-06(B))
Acceptable Means of Compliance	
AMC AWO.A.ALS.101(a)	Amended (NPA 2018-06(B))
AMC AWO.A.ALS.105(b)(1)	Amended (NPA 2018-06(B))
AMC AWO.A.ALS.106	Amended (NPA 2018-06(B))
AMC AWO.A.ALS.108	Amended (NPA 2018-06(B))
AMC AWO.A.ALS.109	Inserted (NPA 2018-06(B))
AMC AWO.A.ALS.110	Amended (NPA 2018-06(B))
AMC AWO 161(b)	Deleted (NPA 2018-06(B))
AMC AWO.A.ALS.112	Inserted (NPA 2018-06(B))
AMC AWO.A.ALS.113(f)	Amended (NPA 2018-06(B))
AMC AWO.A.HUD.101	Inserted (NPA 2018-06(B))
AMC AWO.A.HUD.103	Inserted (NPA 2018-06(B))
AMC AWO.A.HUD.105(a)(ii)	Inserted (NPA 2018-06(B))
AMC AWO.A.HUD.105(a)(iii)	Inserted (NPA 2018-06(B))
AMC AWO.A.HUD.105(b)(2)	Inserted (NPA 2018-06(B))
AMC AWO.A.HUD.107	Inserted (NPA 2018-06(B))
AMC AWO.A.HUD.112	Inserted (NPA 2018-06(B))
AMC1 AWO.A.HUD.113	Inserted (NPA 2018-06(B))
AMC2 AWO.A.HUD.113	Inserted (NPA 2018-06(B))
AMC AWO.A.HUD.114	Inserted (NPA 2018-06(B))
AMC AWO.A.EFVS.101	Inserted (NPA 2018-06(B))
AMC AWO.A.EFVS.103	Inserted (NPA 2018-06(B))
AMC AWO.A.EFVS.104	Inserted (NPA 2018-06(B))
AMC1 AWO.A.EFVS.105	Inserted (NPA 2018-06(B))
AMC2 AWO.A.EFVS.105(b)	Inserted (NPA 2018-06(B))
AMC AWO.A.EFVS.106	Inserted (NPA 2018-06(B))
AMC AWO.A.EFVS.107	Inserted (NPA 2018-06(B))
AMC AWO.A.EFVS.108	Inserted (NPA 2018-06(B))
AMC1 AWO.A.EFVS.109	Inserted (NPA 2018-06(B))
AMC1 AWO.A.EFVS.110	Inserted (NPA 2018-06(B))
AMC2 AWO.A.EFVS.110	Inserted (NPA 2018-06(B))
AMC AWO.A.EFVS.111	Inserted (NPA 2018-06(B))
AMC AWO.A.EFVS.112	Inserted (NPA 2018-06(B))
Appendix 1 to the AMC to Section 3 of Subpart A	Inserted (NPA 2018-06(B))
AMC AWO.A.SVGS.101	Inserted (NPA 2018-06(B))

APPENDIX 1 TO THE ACCEPTABLE MEANS OF COMPLIANCE TO SUBPART A 'MODELS'	Inserted (NPA 2018-06(B))
AMC AWO.B.CATI.101	Inserted (NPA 2018-06(B))
AMC AWO.B.CATI.102	Inserted (NPA 2018-06(B))
AMC AWO.B.SACATI.101(a)	Inserted (NPA 2018-06(B))
AMC AWO.B.SACATI.102	Inserted (NPA 2018-06(B))
AMC AWO.B.SACATI.103	Inserted (NPA 2018-06(B))
AMC AWO.B.SACATI.107	Inserted (NPA 2018-06(B))
AMC AWO.B.SACATI.111	Inserted (NPA 2018-06(B))
AMC AWO.B.SACATI.113	Inserted (NPA 2018-06(B))
AMC AWO.B.SACATI.117	Inserted (NPA 2018-06(B))
AMC AWO.B.SACATI.119	Inserted (NPA 2018-06(B))
AMC AWO.B.SACATI.120	Inserted (NPA 2018-06(B))
AMC AWO.B.CATII.101(a)	Amended (NPA 2018-06(B))
AMC AWO.B.CATII.102	Amended (NPA 2018-06(B))
AMC AWO.B.CATII.103	Amended (NPA 2018-06(B))
AMC AWO.B.CATII.107	Inserted (NPA 2018-06(B))
AMC AWO.B.CATII.111	Amended (NPA 2018-06(B))
AMC AWO.B.CATII.112	Amended (NPA 2018-06(B))
AMC AWO.B.CATII.113	Amended (NPA 2018-06(B))
AMC AWO.B.CATII.115(a)	Amended (NPA 2018-06(B))
AMC AWO.B.CATII.122	Inserted (NPA 2018-06(B))
APPENDIX 1 TO AMC AWO.B.CATII.113	Amended (NPA 2018-06(B))
AMC AWO.B.CATIII.101(a)	Amended (NPA 2018-06(B))
AMC AWO.B.CATIII.102	Amended (NPA 2018-06(B))
AMC AWO.B.CATIII.109	Amended (NPA 2018-06(B))
AMC AWO.B.CATIII.112	Amended (NPA 2018-06(B))
AMC AWO.B.CATIII.113	Amended (NPA 2018-06(B))
AMC AWO.B.CATIII.113(b)(2)	Amended (NPA 2018-06(B))
AMC AWO.B.CATIII.115	Amended (NPA 2018-06(B))
AMC AWO.B.CATIII.118	Inserted (NPA 2018-06(B))
AMC1 AWO.B.CATIII.121	Amended (NPA 2018-06(B))
AMC2 AWO.B.CATIII.121	Amended (NPA 2018-06(B))
AMC1 AWO.B.CATIII.122(a) and AWO.B.CATIII.123(a)	Amended (NPA 2018-06(B))
AMC2 AWO.B.CATIII.122(a)	Amended (NPA 2018-06(B))
AMC AWO.B.CATIII.123	Inserted (NPA 2018-06(B))
AMC AWO.B.CATIII.127(a)	Amended (NPA 2018-06(B))
AMC AWO.B.CATIII.127(g)	Inserted (NPA 2018-06(B))
APPENDIX 1 TO AMC AWO.B.CATIII.115	Inserted (NPA 2018-06(B))
AMC AWO.C.TOO.101	Amended (NPA 2018-06(B))
AMC AWO.C.TOO.102	Inserted (NPA 2018-06(B))
AMC AWO.C.TOO.104(c)	Amended (NPA 2018-06(B))

AMC AWO.C.TOO.106	Amended (NPA 2018-06(B))
AMC AWO.C.TOO.108	Amended (NPA 2018-06(B))
AMC AWO.C.TOO.111	Amended (NPA 2018-06(B))
General Acceptable Means of Compliance	
AMC AWO-1	Amended (NPA 2018-06(B))

SUBPART A — ENABLING EQUIPMENT

SECTION 1 — AUTOMATIC LANDING SYSTEMS (ALSs)

GENERAL

CS AWO.A.ALS.101 Applicability

- (a) Subpart A Section 1 of this certification specification is applicable to aeroplanes, which are capable of automatic landing carried out in association with an xLS (instrument landing system (ILS), microwave landing system (MLS), and/or ground-based augmentation system (GBAS) landing system (GLS)). In addition, the automatic landing system shall meet the requirements of CS 25.1329. (See AMC AWO.A.ALS.101(a))
- (b) If a head-up display (HUD), or equivalent, is required to be used to complement the automatic landing system, then it shall meet the performance and integrity requirements applicable to the type of the intended operation. Refer to CS-AWO Section 2 SA CAT I, Section 3 CAT II or Section 4 CAT III.

[Issue: AWO/2]

AMC AWO.A.ALS.101(a) Applicability and terminology

MLS and GLS are assumed to have operational characteristics equivalent to those of a conventional ILS. The terms 'localiser' and 'glide path' have been retained for use with ILS, MLS or GLS, and are intended to indicate where lateral and vertical deviation is provided to the aircraft navigation systems.

The term 'automatic landing system' (ALS) refers to the airborne equipment, which provides automatic control of the aeroplane during the approach and landing. It includes all the sensors, computers, actuators and power supplies necessary to control the aeroplane to touchdown. It also includes the means to control the aeroplane along the runway during the landing roll-out. In addition, it includes the indications and control necessary for its management and supervision by the pilot.

[Issue: AWO/2]

CS AWO.A.ALS.102 Safety level

The safety level in automatic landing shall not be lower than that achieved in manual landing. Hence, in showing compliance with the performance and failure requirements, the probabilities of performance or failure effects shall not be factored by the proportion of landings made under automatic control.

[Issue: AWO/2]

CS AWO.A.ALS.103 Control actions

In the absence of failure or extreme conditions, the control actions of the system and the resulting aeroplane flight path shall not contain unusual features liable to cause a pilot to intervene and assume control.

[Issue: AWO/2]

CS AWO.A.ALS.104 Approach speed

The approach speed to be used shall be established taking into account the accuracy with which speed is controlled. It shall be specified in the aeroplane flight manual (AFM).

[Issue: AWO/2]

EQUIPMENT

CS AWO.A.ALS.105 Automatic speed control

- (a) An automatic landing system shall include automatic control of throttle/thrust to touchdown unless it can be shown that:
 - (1) the aeroplane speed can be controlled manually without an excessive workload in conditions for which the system is to be certified;
 - (2) with manual control of throttle/thrust, the touchdown performance limits of CS AWO.A.ALS.106(c) are achieved; and
 - (3) the touchdown performance is not critically affected by reasonable errors in speed control.
- (b) An automatic throttle/thrust system shall provide safe operation taking into account the factors listed in CS AWO.A.ALS.106(a). The system should:
 - (1) adjust throttle/thrust to maintain aeroplane speed within acceptable limits (see AMC AWO.A.ALS.105(b)(1)); and
 - (2) provide throttle/thrust application at a rate consistent with the recommendations of the appropriate engine and airframe manufacturers.

[Issue: AWO/2]

AMC AWO.A.ALS.105(b)(1) Automatic speed control

The approach speed may be selected manually or automatically.

[Issue: AWO/2]

PERFORMANCE

CS AWO.A.ALS.106 Performance demonstration

- (a) The automatic landing system, under the conditions for which its use is to be approved, shall be demonstrated to achieve the performance accuracy and the limits in point (c) below and taking into account at least the following variables:
- (1) configurations of the aeroplane (e.g. flap settings);
 - (2) centre of gravity;
 - (3) landing weight;
 - (4) conditions of wind, turbulence and wind shear (see AMC AWO.A.ALS.106, paragraph 3);
 - (5) xLS characteristics (see AMC AWO.A.ALS.106, paragraph 4); and
 - (6) system tolerances.
- If limitations are necessary in respect of any of these variables, then these shall be established.
- (b) The accuracy limits of point (c) below shall be demonstrated by a combination of:
- (1) an analysis (e.g. by simulation) considering reasonable combinations of variables listed in point (a) and in AMC AWO.A.ALS.106); and
 - (2) validation of any simulation/analysis by flight test demonstrations (using either statistical or deterministic methods).
- (c) It shall be shown that the touchdown performance will be such that exceedance of any of the limits prescribed in this provision will be improbable (see AMC AWO.A.ALS.106, paragraph 1.4 for acceptable values for the actual probability level) when the variables follow their expected distribution and also when one of the variables is at its most critical value while the others vary in their expected manner:
- (1) longitudinal touchdown earlier than a point on the runway 60 m (200 ft) from the threshold;
 - (2) longitudinal touchdown beyond the end of the touchdown zone (TDZ) lighting, 823 m (2 700 ft) from the threshold;
 - (3) lateral touchdown with the outboard landing gear greater than 21 m (70 ft) from runway centre line. This value assumes a 45-m (150-ft) runway. It may be appropriately changed if:
 - (i) operation is limited in the AFM to wider runways, or to runways with load-bearing shoulders; or
 - (ii) operation to narrower runways is requested and permitted;
 - (4) structural limit load; and
 - (5) bank angle resulting in hazard to the aeroplane.

[Issue: AWO/2]

AMC AWO.A.ALS.106 Performance demonstration

1 General

1.1 The analysis referred to in CS AWO.A.ALS.106(b)(1) should:

- a. establish compliance with the performance limits specified in CS AWO.A.ALS.106(c);

Note: When systems employing automatic control of ground roll are provided, additional analysis may be required.

- b. determine any limitations on the use of the system for compliance with the performance limits of CS AWO.A.ALS.106(c) (see CS AWO.A.ALS.114); and
- c. provide, if appropriate, information necessary for the calculation of the required landing distance (see CS AWO.A.ALS.109).

1.2 Account should be taken of the variation of wind speed, turbulence, xLS beam characteristics, system performance variation and flight crew procedures. System performance variations due to equipment tolerances (e.g. datum shifts and gain changes) should be investigated taking into account setting up procedures and monitoring practices. Acceptable models of wind, turbulence and wind shear are given in paragraph 3. xLS signal-in-space characteristics are given in paragraph 4.

1.3 In accordance with CS AWO.A.ALS.107, the effects of aerodrome conditions (e.g. elevation, ambient temperature, touchdown zone slope and ground profile under the approach path) are to be investigated and, if necessary, appropriate limitations derived for inclusion in the AFM. For the purposes of this assessment, the touchdown zone slope is considered to be the slope of the runway between threshold up to 900 m from the runway threshold. Guidance is given in paragraph 5.

1.4 Acceptable values for the probabilities of exceedance of the limits of CS AWO.A.ALS.106(c) are as follows (these values may be varied where the characteristics of a particular aeroplane justify such variation):

	Average	Limit
a. Longitudinal touchdown earlier than a point on the runway 60 m (200 ft) from the threshold.	10^{-6}	10^{-5}
b. (i). Longitudinal touchdown beyond the end of the touchdown zone (TDZ) lighting, 823 m (2700 ft) from the threshold.	10^{-6}	Not applicable
(ii). Longitudinal touchdown beyond the end of the touchdown zone (TDZ) lighting, 914 m (3000 ft) from the threshold.	Not applicable	10^{-5}
c. Lateral touchdown with the outboard landing gear greater than 21 m (70 ft) from the runway centre line, assuming a 45 m (150 ft) runway.	10^{-6}	10^{-5}
d. Structural limit load (see paragraph 1.4.1).	10^{-6}	10^{-5}
e. Bank angle such that the wing tip, engine nacelle or propeller touch the ground before the wheels.	10^{-7}	10^{-6}

Note 1: The 'Average' column is the acceptable probability of exceedance where all the variables vary according to their probability distributions. The 'Limit' column is the acceptable

probability of exceedance if one variable is held at its most adverse value, while the other variables vary according to their probability distributions. In the case where a wind variable is held at its most adverse value, the acceptable probability of exceedance should be taken as the average column factored by the cumulative probability of reported wind as defined in Figure 15 of Appendix 1 to the AMC to Subpart A 'MODELS'.

Note 2: For HUDLSs, an alternative means of compliance for CS AWO.A.ALS.106(c) may be used. One acceptable means of compliance is given in paragraph 1.4.2 of this AMC.

1.4.1 An acceptable means of establishing that the structural limit load is not exceeded is to show separately and independently that:

- a. the sink rate at touchdown does not exceed the limit rate of descent used for certification under CS-25 Subpart C, or 10 ft per second, whichever is the greater; and
- b. the lateral side load does not exceed the limit value determined for the lateral drift landing condition defined in CS 25.479(d)(2).

1.4.2 For HUDLSs, where the total wind strength has been shown to be the most critical parameter affecting performance, an alternative means of compliance for CS AWO.A.ALS.106(c) may be used.

An acceptable method, based on the demonstration of 80 approaches performed in a simulator at limiting wind conditions using a representative wind model, covering 8 cardinal points, has been shown to provide adequate demonstration of system robustness, provided that the resulting go-around rate does not exceed 20 %.

1.5 Acceptance limits for automatic speed holding are ± 9.3 km/h (± 5 kt) (two standard deviations) of programmed airspeed (disregarding rapid airspeed fluctuations associated with turbulence) under all intended flight conditions.

2 *Flight demonstrations*

2.1 A programme of landings should be completed sufficient to demonstrate the validity of the simulation and support the conclusions of the analysis.

Note: Typically, programmes of 100 landings have been used.

Data taken during demonstration flight tests should be used to validate the simulation(s). The objective of a flight test programme should be to demonstrate performance of the system to 100 % of the steady state wind limit values that are used in the simulation statistical performance analysis.

Nevertheless, if during the flight test campaign it is not possible to flight-test 100 % of the steady state wind limit, the applicant may request acceptance that the simulation be validated, if at least four landings are accomplished during flight test at no less than 80 % of the intended limit steady state wind value (i.e. mean wind), and if it has been shown that the landing system is sufficiently robust near the desired AFM wind limits for which application is made.

The robustness of autoland will be assessed as sufficient if:

- the analysis of the automatic landing system behaviour encountered during flight tests for the four landings selected by the applicant shows satisfactory margins in authority and performance;

- the analysis of the matching between flight test and simulation for the four landings selected by the applicant shows satisfactory correlation; if the four landings flight-tested show satisfactory margins and performance, the matching requested may be limited to a subset of the four landings selected;
- aircraft loading conditions flown during the four landings (weight and centre of gravity (CG)) are sufficiently close to the sizing conditions that would have an influence on wind demonstration limits (sizing conditions in terms of unfavourable combination of weight and CG as defined in the certification flight test programme); and
- the analysis of the automatic landing system behaviour during simulation with the steady state wind limit value (i.e. mean wind), at the wind limit requested, shows remaining margins for performance.

The steady state wind limit value can be determined by one of the following:

- a. mean wind value + half gust, as reported by air traffic control (ATC); or
- b. mean wind recorded by the flight test instrumentation, i.e. average of the wind recorded for 20 seconds around the touchdown point and recomputed at 33 ft, with the following additional considerations:
 - additional credit can be taken for the maximum average wind demonstrated during the flight test if the gust encountered during flight test shows a higher intensity than the one tested during simulation (meaning the wind increase to the average wind is higher during flight test compared to the simulation);
 - in this case, to give a revised maximum average wind demonstrated during flight test, the mean wind recorded by the flight test instrumentation may be increased by the difference between flight-tested and simulation-tested gust intensity;
- c. the calculated mean wind plus the maximum gust recorded by flight test instrumentation throughout the landing.

The maximum gust may be calculated using a 3-second moving average filter in the instantaneous calculated wind from a height of 50 ft to the termination of the test event or an airspeed such that all data necessary for the computation is available and of sufficient accuracy. The measured wind should be corrected from the height of the measurement device to a height of 33 ft.

2.2 Individual landings should be carried out to demonstrate that errors, which can reasonably be expected to occur, are not hazardous; for example:

- landing with approach speed 9.3 km/h (5 kt) below the specified speed, and
- landing with approach speed 18.5 km/h (10 kt) above the specified speed.

3 *Wind Model for Approach Simulation*

In carrying out the analysis described in paragraph 1, one of the wind, turbulence and wind shear models contained in Appendix 1 to the AMC to Subpart A may be used.

4 *Models of xLS signals-in-space for use in approach simulations*

- 4.1 Automatic landing system evaluation, including computer analysis of system performance, should be based on the use of xLS ground facilities, which meet the performance characteristics, listed herein.
- 4.2 Analysis of results of in-flight demonstrations may include subtraction of measured signal-in-space signal errors, and treatment of the contribution of the signal-in-space error on a probability basis. (See CS AWO.A.ALS.106(b)(2).)
- 4.3. In carrying out any analysis, the models contained in Appendix 1 to the AMC to Subpart A should be utilised.

5 Aerodrome conditions

5.1 Elevation and temperature

The effects of aerodrome elevation and ambient temperature should be examined where operation is envisaged at aerodromes above 750 m (2 500 ft) or in temperatures greater than International Standard Atmosphere (ISA)+ 15°C.

5.1.1 High-altitude landing system demonstration using simulation

5.1.1.1 The following describes an acceptable means to demonstrate performance of landing systems at high altitude with a combination of flight test results and validated simulation. The aerodrome elevation at which satisfactory performance of the landing system has been demonstrated by this method may then be documented in the AFM. The flight test demonstration is considered as the primary source of data, which can then be supplemented with data from a validated simulation.

5.1.1.2 The minimum required altitude or elevation for the flight test which is used to demonstrate a desired AFM elevation value, by this method, is shown in Figure 2 and the accompanying table below. For example, the applicant may document an AFM elevation value of 8 000 ft, by a successful flight demonstration at 8 000 ft, or by a flight demonstration at a minimum elevation of 5 000 ft with a simulation to the desired 8 000 ft.

Note: The lines in Figure 2 converge at 11 000 ft, indicating that credit for simulation is not available at 11 000 ft or above.

The atmospheric temperature and pressure during the flight test, for either method, should not be more favourable than the ISA conditions, to ensure that the density altitude is not lower than the aerodrome elevation. When the density altitude value of the flight test is lower than the aerodrome elevation, then the density altitude value should be used as the effective flight-test-demonstrated elevation which will decrease the maximum AFM elevation value.

5.1.1.3 Establishing a baseline of landing system performance, for the purposes of subsequently using simulation to obtain a high-altitude approval, will require a sufficient programme of landings at the flight-test-demonstrated elevation shown in Figure 2, to demonstrate the validity of the simulation and to support the conclusions of the analysis.

Note: Typically, programmes of 10–15 landings should be used.

An alternative method for simulation validation may be used if found acceptable by EASA.

5.1.1.4 A simulation may then be conducted with cases at the selected AFM elevation value with the range of atmospheric conditions listed below. A sensitivity analysis should be conducted to ensure that performance is not unsafe near any limits. Unless otherwise found acceptable by EASA, simulation cases should typically include the following:

- a. temperatures ranging from ISA value to ISA +40°C;
- b. barometric pressure ranging from ISA value for that elevation to ISA -50 hPa; and
- c. mean wind variations, including:
 - headwinds to at least 25 kt;
 - crosswinds to at least 15 kt; and
 - tailwinds to at least 10 kt.

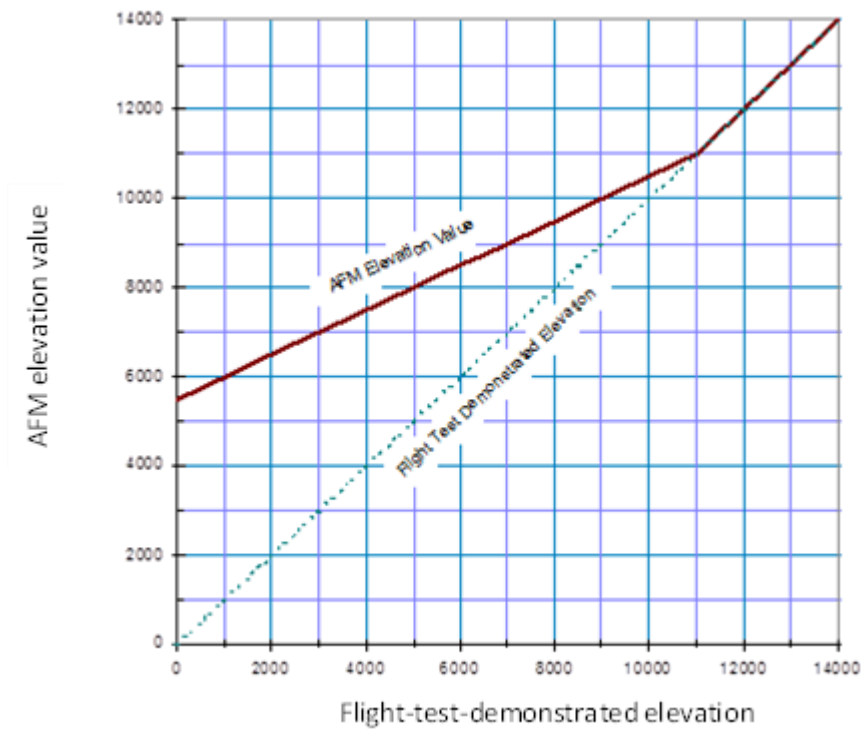


Figure 2: AFM elevation value from flight test and validated simulation

AFM elevation value from flight test and validated simulation (feet above mean sea level (MSL))	Required elevation of flight test demonstration (feet above mean sea level (MSL))
5 500	0
6 000	1 000
6 500	2 000
7 000	3 000
8 000	5 000
9 000	7 000
10 000	9 000

11 000

11 000

Table associated with Figure 2

5.1.2 High-altitude landing system demonstration using flight test only

For applicants that wish to demonstrate landing system performance at high-elevation runways on the basis of flight tests only, i.e. without the use of simulation to extrapolate from the demonstrated elevation, a flight test programme should be presented to EASA for approval.

An acceptable programme should include approximately 10–15 approaches and landings, conducted with an instrumented aircraft, in conditions covering the range of operational weight, centre of gravity (CG), and aircraft configuration. One-engine-inoperative conditions should also be considered, if relevant. The recorded data should allow the assessment of touchdown performance (i.e. touchdown distance, lateral deviation and vertical speed).

5.2 Ground profile

5.2.1 Where use is made of height above ground indicators that depends on the ground profile (such as radio-altimeter signals) in the automatic landing system, any effects of the ground profile before the runway or along the runway on the performance of the system should be examined.

5.2.2 The family of profiles to be investigated should take due account of the way in which the system uses the height above ground indicator (such as radio-altimeter signals) at different heights on the approach. Terrain and runway up slopes, down slopes and other terrain irregularities should be investigated.

Note: Information on the characteristics of aerodromes is contained in ICAO Annex 14. The examination of a number of aerodromes used for automatic landing has shown that the following features may be encountered:

- a. *sloping runway – slopes of 0.8 %;*
- b. *hilltop runway – 12.5 % slope up to a point 60 m prior to the threshold; or*
- c. *sea-wall – 6 m (20 ft) step up to threshold elevation at a point 60 m prior to the threshold.*

5.2.3 Performance demonstration on a particular runway

The acceptable average values for probabilities of exceedance limits of CS AWO.ALS.106 provided in paragraph 1.4 consider all possible runways where the aircraft can be operated. When considering a particular aerodrome some factors identified in paragraphs 1.2 and 1.4 are known (e.g. altitude, runway length, specific ILS characteristics, touchdown zone and pre-runway threshold longitudinal profile, etc.). In order to assess adequate performance on a particular runway, limit risks can be used as success criteria, having all other parameters varying within their approved limits unless specific restrictions apply to this runway.

6 Fog model

For simulator testing associated with the certification of HUDLSs, the applicant may propose a fog model. The proposed fog model will have to be acceptable to EASA.

[Issue: AWO/2]

CS AWO.A.ALS.107 Aerodrome conditions

Expected aerodrome conditions (e.g. elevation, ambient temperature, touchdown zone slope and ground profile under the approach path) shall be considered and appropriate limitations entered in the AFM. (See AMC AWO.A.ALS.106, paragraph 5)

[Issue: AWO/2]

CS AWO.A.ALS.108 Approach and automatic landing with an inoperative engine

(See AMC AWO.A.ALS.108)

If approval is sought to include automatic landing where the approach is initiated, and the landing made, with an inoperative engine, the automatic landing system shall be shown to perform a safe landing and, where applicable, safe roll-out in this non-normal aircraft condition, taking account of the following:

- (a) the critical engine inoperative, with the propeller, where applicable, feathered;
- (b) all flap positions used for landing with an inoperative engine;
- (c) loss of systems associated with the inoperative engine, e.g. electrical and hydraulic power;
- (d) crosswinds in each direction not less than 18.5 km/h (10 kt); and
- (e) weight and centre of gravity of the aircraft.

The go-around from any point on the approach to touchdown shall not require exceptional piloting skill, alertness or strength, and shall ensure that the aeroplane remains within the obstacle limitation surface for the limitation surface for the approach design criteria used.

[Issue: AWO/2]

AMC AWO.A.ALS.108 Approach and automatic landing with an inoperative engine — Performance demonstration

- 1 The identification of a critical engine should consider the effects on performance, handling, loss of systems, and autoland status. More than one engine may be critical for different reasons.
- 2 If the aeroplane configuration and operation are the same as those used in the performance demonstration of CS AWO.A.ALS.106 for the all-engine operating case, compliance with CS AWO.A.ALS.108 may be demonstrated by, typically, 10 to 15 landings, or by statistical analysis supported by flight test if the aeroplane configuration or operation is changed significantly from the all-engine operating case.
- 3 If the aeroplane configuration and operation are not the same as for the all-engine operating case, the effect on landing distance will need to be considered.
- 4 To aid planning for automatic landing with an inoperative engine, appropriate procedures, performance, and obstacle clearance information will need to be established enabling a safe go-around at any point in the approach.

- 5 For the purposes of this requirement, demonstration of automatic landing and go-around performance in the event of a second engine failure need not be considered.

[Issue: AWO/2]

CS AWO.A.ALS.109 Automatic landing distance

The landing distance required shall be established and scheduled in the AFM if it exceeds the distance scheduled for manual landing for the same conditions (see AMC AWO.A.ALS.109).

[Issue: AWO/2]

AMC AWO.A.ALS.109 Automatic landing distance

The landing distance referred to in CS AWO.A.ALS.109 may be derived as follows:

- (a) The configuration procedure and speed should be those recommended for an automatic landing.
- (b) The distance from the runway threshold to the touchdown point should be the distance from the runway threshold to the glideslope origin (S_0) plus the mean distance from the glideslope origin to touchdown (S_{TD}) plus three times the standard deviation of the distance from the glideslope origin to touchdown $\sigma(S_{TD})$.
- (c) The gross distance from touchdown to a complete stop should be determined in accordance with CS 25.125, assuming a touchdown speed equal to the main touchdown speed plus three standard deviations of the touchdown speed.

Note: The main values and standard deviations considered in points (b) and (c) should be based on random variations. Systematic variation of parameters should cover the normal range of flight manual conditions.

The landing distance required should be taken as the distance from the runway threshold to the touchdown point, as defined in (b), factored by 1.15 (i.e. $1.15(S_0 + S_{TD} + 3\sigma(S_{TD}))$), plus the ground-roll distance defined in (c), multiplied by a factor of 1.15.

- (d) The landing distance required should include corrections for variations in the glideslope angle and variations in the glideslope height at the threshold. Alternatively, these effects may be included by use of conservative assumptions in the basic presentation of data, with the applicable ranges stated in the AFM.

Note: The landing distance as derived in (a) to (d) should be compared with the normal landing distance according to CS 25.125.

[Issue: AWO/2]

CONTROLS, INDICATORS AND ALERTS

CS AWO.A.ALS.110 Controls, indicators and alerts — General

The controls, indicators and alerts shall be designed to minimise flight crew errors which could create a hazard. Mode and system malfunction indications shall be presented in a manner compatible with

the procedures and assigned tasks of the flight crew. The indications shall be grouped in a logical and consistent manner and be visible under all expected normal lighting conditions.

[Issue: AWO/2]

AMC AWO.A.ALS.110 Controls, indicators and alerts — General

Where certification of installations involving more than one type of precision approach system (e.g. ILS and MLS and/or GLS) is requested, the following considerations should be taken into account:

- (a) Where practicable, the flight deck procedure for the xLS precision approach should be the same.
- (b) The loss of deviation data should be indicated on the deviation display. The failure indication on the deviation display for each axis of the xLS may be common.
- (c) The specific precision approach system selected as the navigation source for the approach and automatic landing should be indicated positively in the primary field of view (FOV) at each pilot station.
- (d) The ILS frequency or MLS/GLS channel data for the selected approach should be displayed to each pilot.
- (e) Means should be provided to enable the flight crew to confirm that the intended type of approach system has been correctly selected.
- (f) A common set of mode indications for the armed and active conditions is recommended.
- (g) The capability of each element of a multi-mode landing system should be available to the flight crew to support dispatch of the aeroplane.
- (h) A failure of each element of a multi-mode landing system should be indicated to the flight crew as either an advisory or a caution, during en-route operation.
- (i) A failure of the selected element of a multi-mode landing system during an approach should be accompanied by a warning or caution, as appropriate. These alerts may be inhibited at the alert height, if appropriate to the operation.
- (j) If an indication of a failure in each non-selected element of a multi-mode landing system during an approach and landing is provided, it should be available to the flight crew as an advisory and should not produce a caution or warning. These advisories may be inhibited at the alert height, if appropriate to the operation.
- (k) Failure indications should not mislead the flight crew through a possible incorrect association with the navigation source. For example, it would be unacceptable for 'ILS FAIL' to be displayed when the selected navigation source is MLS and the failure affects the MLS receiver.
- (l) If a HUD (or equivalent display) is used to display approach guidance, an additional aural indication is desirable when the aeroplane reaches the preselected DH.

[Issue: AWO/2]

FAILURE CONDITIONS

CS AWO.A.ALS.111 General

The effects of any failures of, or affecting, the approach and landing system shall be considered in accordance with CS 25.1309 and CS 25.1329.

The effects of engine failures shall also be considered.

[Issue: AWO/2]

CS AWO.A.ALS.112 Failure of xLS navigation means (facilities external to the aircraft, including signal-in-space)

(See AMC AWO.A.ALS.112)

The effects of failures of the navigation means (facilities external to the aircraft, including signal-in-space (if utilised)) shall be investigated taking into account the Standards and Recommended Practices (SARPs) of ICAO Annex 10 relevant to the characterisation of failures (e.g. monitor thresholds, time-to-alert and transmitter changeover or shutdown times).

[Issue: AWO/2]

AMC AWO.A.ALS.112 Failure of xLS navigation means (facilities external to the aircraft, including signal-in-space)

The effects of failures of the xLS navigation means (facilities external to the aircraft, including signal-in-space) should, if necessary, be demonstrated in flight.

Description of the fault modes of the elected navigation means (facilities external to the aircraft) derived from ICAO Annex 10 Volume I can be found in Appendix 1 to the AMC to Subpart A.

[Issue: AWO/2]

AEROPLANE FLIGHT MANUAL

CS AWO.A.ALS.113 General

The aeroplane flight manual (AFM) shall contain the limitations, procedures and other information pertinent to the operation of the automatic landing system and shall include the following appropriate to the use for which the particular system has been certified:

- (a) the approved limits established as a result of consideration of the factors listed in CS AWO.A.ALS.106(a) and CS AWO.A.ALS.106(a);
- (b) the approved limits established as a result of consideration of any other factor that the certification has shown to be appropriate;
- (c) the normal and abnormal procedures, including airspeeds;

- (d) the minimum required equipment;
- (e) any additional aeroplane performance limitations (see CS AWO.A.ALS.109);
- (f) the type of xLS navigation means (facilities external to the aircraft) and associated limitations (if any) which have been used as the basis for certification (see AMC AWO.A.ALS.113(f)); and
- (g) runway or airport conditions, including:
 - (1) runway elevation;
 - (2) approach path slope;
 - (3) touchdown zone slope;
 - (4) ground profile under the approach path.

[Issue: AWO/2]

AMC AWO.A.ALS.113(f) Aeroplane flight manual

The aeroplane flight manual (AFM) should define the categories of xLS ground facilities, or space facilities (if applicable), which have been used as the basis for certification. The AFM may also contain a statement on the possible usage of automatic landing on lower categories of xLS ground facilities, or space facilities (if applicable).

[Issue: AWO/2]

CS AWO.A.ALS.114 Wind speed limitations

Wind speed limitations higher than those established in showing compliance with CS AWO.A.ALS.106 may be specified in the AFM for decision heights (DHs) of 60 m (200 ft) or more, provided that:

- (a) it can be shown that reliance may be placed on external visual reference for the detection of unsatisfactory performance; and
- (b) the wind speed limits without reliance on external visual reference are not less than 46 km/h (25 kt) head, 28 km/h (15 kt) cross, and 18.5 km/h (10 kt) tail.

[Issue: AWO/2]

CS AWO.A.ALS.115 Approach and automatic landing with an inoperative engine

If compliance with CS AWO.A.ALS.108 Approach and automatic landing with an inoperative engine (see AMC AWO.A.ALS.108) is established, a statement shall be included in the Non-normal Procedures or equivalent section of the AFM that approach and automatic landing made with an engine inoperative have been satisfactorily demonstrated, together with the conditions under which that demonstration was made.

[Issue: AWO/2]

SECTION 2 — HEAD-UP DISPLAYS (HUDs)

GENERAL

CS AWO.A.HUD.101 Applicability and terminology

- (a) A head-up display (HUD) is a display system that presents flight information into the pilot's forward external field of view.
- (b) A head-up display (HUD) guidance landing system (HUDLS) is a total airborne system which generates and shows head-up guidance to the pilot during the approach and landing (and roll-out, if applicable) or a go-around. It includes all the sensors, computers, power supplies, indications and controls.
- (c) A display will be considered to be equivalent to a HUD provided it can be shown to comply with the following:
 - (1) The display shall be presented head-up and shall not require transition of visual attention to the head-down display (HDD) in order to view the displayed primary flight information.
 - (2) The display shall be conformal with the pilot's external view.
 - (3) The display shall enable simultaneous viewing of aircraft flight symbology, imagery (if applicable) and the external view.
 - (4) The display shall have characteristics and dynamics that are suitable for the manual control of the aircraft.
 - (5) The display of imagery, information and symbology shall be clearly visible to the pilot flying in their normal position with the line of vision looking forward along the flight path.

[Issue: AWO/2]

AMC AWO.A.HUD.101 Applicability and terminology

A head-up display (HUD), or equivalent display, should comply with the relevant requirements of AMC 25-11.

[Issue: AWO/2]

CS AWO.A.HUD.102 Go-around

If a HUD (or equivalent display) is used for approach guidance, it shall provide sufficient information to permit the pilot to initiate and stabilise a go-around manoeuvre at any point during the approach and the flare without reverting to other displays. This information shall not lead to a speed incompatible with normal go-around procedures and speeds. The approach information shall be removed on selection of go-around unless it is shown that its presence does not interfere with the go-around information. The go-around information shall not be changed or lost if the aeroplane touches the ground during a go-around. In the event of a HUD (or equivalent display) failure at any time during the go-around, the pilot shall be able to revert to HDDs to complete the go-around manoeuvre safely without loss of performance.

[Issue: AWO/2]

CS AWO.A.HUD.103 HUD (or equivalent display) information below decision height

(See AMC AWO.A.HUD.103)

Information presented on the HUD (or equivalent display) below the decision height (DH) shall not mislead or distract the pilot, and shall not jeopardise the safety of the landing.

[Issue: AWO/2]

AMC AWO.A.HUD.103 HUD information

It is acceptable to remove information from the HUD, provided that doing so does not cause a distraction to the pilot.

A head-up guidance landing system (HUDLS) is typically used for primary approach guidance for decision heights (DHs) down to 15 m (50 ft).

A HUDLS can be used during the following flight phases to either control the aircraft or monitor the autopilot:

- (1) take-off (if applicable);
- (2) approach and landing (and roll-out, if applicable); or
- (3) go-around.

[Issue: AWO/2]

CS AWO.A.HUD.104 Control of take-off roll, flight path and ground roll

- (a) Head-up display landing system (HUDLS)

The system shall provide sufficient guidance information to enable a pilot that is competent to conduct the intended operation to intercept the xLS approach path, if that capability is provided, to track it, to land the aeroplane within the prescribed limits or to perform a go-around without reference to other cockpit displays. It shall not require exceptional piloting skill to achieve the required performance. (See CS AWO.B.CATI.113 or CS AWO.B.CATII.113 or CS AWO.B.CATIII.115(a) and (b) or CS AWO.B.CATIII.117)

- (b) The transition from approach/flare guidance to roll-out control guidance shall be smooth and shall not distract the pilot from performing the intended operation.
- (c) If the autopilot is used to control the flight path of the aeroplane to intercept and establish the xLS approach path, the point during the approach at which the transition from automatic to manual flight takes place shall be identified and taken into account in the performance demonstration (see CS AWO.B.CATIII.115). The transition from autopilot to head-up guidance shall not require exceptional piloting skill, alertness, strength or excessive workload.

- (d) For take-off roll, the HUD (or equivalent display) shall meet the performance requirements of CS AWO.C.TOO.106.
 - (e) The HUD characteristics and dynamics shall be suitable for the manual control of the aircraft.
- [Issue: AWO/2]

CONTROLS, INDICATORS AND ALERTS

CS AWO.A.HUD.105 Presentation of information to the flight crew

(See AMC AWO.A.ALS.110)

- (a) Where a HUD (or equivalent display) is used to display approach guidance, the following shall apply:
 - (1) Any malfunctions of the HUD (or equivalent display) which require immediate awareness and immediate or subsequent action on the part of the pilot shall be indicated by a positive and unmistakable alert to both pilots. These alerts shall be in accordance with CS 25.1322 (or equivalent applicable requirements for crew alerting).
 - (2) The system shall be designed such that detected failures will cause the immediate removal of incorrect guidance information from view (see AMC AWO.A.HUD.105(a)(ii)).
 - (3) The pilot using the HUD (or equivalent display) shall be able to monitor automatic and manual flight guidance modes and system status (see AMC AWO.A.HUD.105(a)(iii)).
 - (4) Clear visual indication on the HUD (or equivalent display) and at the other pilot's station (e.g. an alert light) when the aeroplane reaches the preselected DH.
 - (5) For normal approach cases, the HUD (or equivalent display) symbology, including guidance symbology, shall remain usable at least to the minimum use height (see CS AWO.B.SACATI.114 and CS AWO.B.CATII.114).
- (b) In addition, for HUDLS that are used for primary guidance (HUD manual landing) during Category III operations (see Subpart B Section 4), the following are also required:
 - (1) There shall be a means of monitoring the aeroplane's approach and landing performance to alert both pilots to unsafe conditions.
 - (2) Where the flight crew consists of more than one pilot, the pilot who is not flying the aeroplane shall be provided with a display of the information necessary to support effective crew tasks for the operation.
 - (3) The pilot using the HUDLS shall be able to monitor the system's operational status and approach performance continuously without referring to the HDDs.
 - (4) An alert of excessive deviation from the required approach path shall be provided on the HUD (or equivalent display) and at the other pilot's station (see CS AWO.B.CATII.115).
 - (5) If an automatic thrust system is provided, its operation and the information provided on the HUD (or equivalent display) shall be consistent. In particular, the mode in which the autothrust is operating shall appear on the HUD (or equivalent display), and the system's operation shall not adversely affect the pilot's control of the aircraft when using the HUDLS.

[Issue: AWO/2]

AMC AWO.A.HUD.105(a)(ii) Indications and alerts

The removal of the total display may be an acceptable way of indicating a failure of the system.

[Issue: AWO/2]

AMC AWO.A.HUD.105(a)(iii) Indications provided to the pilot

As indicated in CS 25.1329, it is essential that both pilots are aware at all times of the mode of flight guidance being used. Unless the format of the display on the HUD is unique to a particular guidance mode, the pilot using the HUD (whether in automatic or manual flight) will need to have their attention brought to any normal or uncommanded changes of mode as soon as they occur.

[Issue: AWO/2]

AMC AWO.A.HUD.105(b)(2) Information to the pilot monitoring

The pilot who is not flying the aeroplane should be provided with a display of the adequacy with which the pilot flying is tracking the HUDLS commands.

[Issue: AWO/2]

CS AWO.A.HUD.106 Flight data recording

Where a HUD (or equivalent display) is installed, a 'HUD in use' parameter and, if applicable, the mode of the HUD operation shall be recorded on the flight data recorder in accordance with CS 25.1459(e) when a flight data recorder is required to be installed.

[Issue: AWO/2]

PERFORMANCE

CS AWO.A.HUD.107 Performance demonstration

(See AMC AWO.A.HUD.107)

- (a) When a HUDLS is used for primary guidance (HUD manual landing), the following additional variables shall be included in the performance demonstration (see AMC AWO.A.HUD.107):
 - (1) ambient lighting conditions, and approach and runway lighting;
 - (2) variations of the reported runway visual range (RVR);
 - (3) individual flight crew performance; and
 - (4) touchdown zone slope and pre-threshold ground profile if flare cue is provided.
- (b) The HUD (or equivalent display) shall meet the performance and integrity requirements applicable to the intended type of operation. Refer to CS-AWO Subpart B Section 2 SA CAT I, Section 3 CAT II or Section 4 CAT III.

[Issue: AWO/2]

AMC AWO.A.HUD.107 Performance demonstration

Runway or aerodrome ground profile considerations for HUDs with flare guidance

Where use is made of height above ground indicators that depends on the ground profile (such as radio-altimeter signals) in the HUD, any effects of the ground profile before the runway or along the runway on the performance of the system should be examined.

The family of profiles to be investigated should take due account of the way in which the system uses height above ground indicator (such as radio-altimeter signals) at different heights on the approach. Terrain and runway up slopes, down slopes and other terrain irregularities should be investigated. For the purposes of this assessment, the touchdown zone slope is considered to be the slope of the runway between threshold up to 900 m from the runway threshold.

Note: Information on the characteristics of aerodromes is contained in ICAO Annex 14. The examination of a number of aerodromes used for automatic landing has shown that the following features may be encountered:

- a. *sloping runway — slopes of 0.8 %;*
- b. *hilltop runway — 12.5 % slope up to a point 60 m prior to the threshold; or*
- c. *sea-wall — 6 m (20 ft) step up to threshold elevation at a point 60 m prior to the threshold.*

Where approval is sought for the use of a head-up guidance landing system (HUDLS), to show compliance with CS AWO.B.CATIII.115, it will be necessary to use a simulator with an acceptable visual system which accurately represents the real aeroplane, in particular the handling qualities, the ground effect, the fog structure and the cut-off angle. A moving-base simulator is thought to be necessary, and consideration of the effect of the structural response of the airframe to turbulence may be necessary to achieve a realistic simulation of the effect of turbulence on the flight deck.

Where a HUDLS is used for primary guidance (HUD manual landing) for Category III operations, it may be expected that at least 500 simulated landings will be necessary and that 100 or more landings by the real aeroplane will be made. At least 10 pilots of varying background and experience should be employed for both simulator and flight tests. They should be given appropriate training in the use of the HUDLS. No pilot should perform more than 8 consecutive landings without a break of at least 1 hour.

Monte Carlo techniques should be considered where applicable.

The limit risk demonstration, whilst suitable for autoland certification, has been found to be unsuitable for head-up guidance certification. An acceptable alternative, assuming that wind is the most critical parameter, is to perform 10 simulated approaches and landings in limiting winds from each of the 8 cardinal points of the compass (a total of 80 runs), and demonstrate that the failure rate does not exceed 20 %.

AMC AWO.ALS.106 contains additional performance demonstration aspects for HUDLSs.

[Issue: AWO/2]

CS AWO.A.HUD.108 Fail-operational hybrid landing systems

Where a HUDLS is fitted as part of a hybrid system, its performance does not need to meet the same criteria as the primary system, provided that it:

- (a) meets the overall performance requirements, taking into account the probability that it will be used; and
- (b) is sufficiently compatible with the primary system so as to retain pilot confidence.

[Issue: AWO/2]

FAILURE CONDITIONS

CS AWO.A.HUD.109 Head-up display landing systems

For HUDLSs that are used for primary guidance (HUD manual landing) during Category III operations (see Subpart B Section 4), the following are required:

- (a) System failure conditions that result in the inability to complete the landing from the DH until touchdown using the HUDLS shall not have a frequency of occurrence of more than once every thousand approaches.
- (b) In the event of an engine failure, the HUDLS shall permit the pilot to control the aeroplane without reverting to other displays.
- (c) Alignment should not be significantly affected in normal operation between scheduled maintenance activities.

[Issue: AWO/2]

CS AWO.A.HUD.110 Head-up displays used for enhanced flight vision systems

- (a) HUDs (or equivalent displays) used to display enhanced flight vision system (EFVS) imagery shall have a field of regard (FOR) that is appropriate to the intended usage (see CS AWO.A.EFVS.104(b), (c) and (d)).
- (b) Where the EFVS image is superimposed on the HUD (or equivalent display) symbology, then the EFVS image and installation shall, in the absence of any failure:
 - (1) satisfactorily perform its intended function;
 - (2) permit the accurate identification and utilisation of visual references, using both EFVS and natural vision, as appropriate;
 - (3) have acceptable display characteristics to accomplish the intended function;
 - (4) not degrade the presentation of essential flight information listed in CS AWO.A.EFVS.105(a) on the HUD (or equivalent display);
 - (5) not be misleading and not cause confusion nor any significant increase in pilot workload;

- (6) be aligned with and scaled to the external scene, and consider, if needed, the effect of parallax;
- (7) not alter the colour perception of the external scene in ways that cause confusion, significantly increase pilot workload, or prevent the pilot from performing any required tasks (e.g. discerning precision approach path indicators (PAPIs));
- (8) permit the pilot to recognise misaligned or non-conformal conditions to the external scene that may preclude the pilot's performance of any required manoeuvres;
Note: The misalignment or non-conformal conditions shall be those that can be detected by the system.
- (9) provide a means to control the EFVS scene brightness that is independent of the HUD (or equivalent display) symbology brightness control; this control shall be operable without causing excessive pilot workload, and not cause adverse physiological effects such as fatigue or eye strain;
- (10) provide a readily accessible control to enable the pilot to remove and reactivate the EFVS image from the HUD (or equivalent display) without requiring the pilot to remove their hands from the primary flight controls and thrust control.

[Issue: AWO/2]

CS AWO.A.HUD.111 Head-up displays used for synthetic vision guidance systems

A HUD (or equivalent display) used in a synthetic vision guidance system (SVGS) shall:

- (a) provide a means to control the SVGS scene brightness that is independent of the HUD (or equivalent display) symbology brightness control; this control shall be operable without causing excessive pilot workload, distraction or fatigue;
- (b) provide a readily accessible control to enable the pilot to remove and reactivate the SVGS image from the HUD (or equivalent display) without requiring the pilot to remove their hands from the primary flight controls and thrust control;
- (c) not cause interference with the safe and effective use of the pilot compartment view, either internally or externally;
- (d) not cause adverse physiological effects to the pilots, such as fatigue or eye strain;
- (e) not significantly alter the colour perception of the external scene;
- (f) allow the pilot to recognise misaligned or non-conformal conditions in a timely manner; and
- (g) not create a combination of display features to the extent that display clutter reduces the efficiency of reading and interpreting the pilot's external visual cues.

If found to be necessary, a means to control the SVGS scene contrast shall be provided.

Note: In point (f), the misalignment or non-conformal conditions shall be those that can be detected by the system.

[Issue: AWO/2]

CS AWO.A.HUD.112 Head-up display landing distance

If there is any feature of the HUD (e.g. flare cue) or the associated procedures intended to support the flare manoeuvre for landing which would result in an increase to the landing distance, the appropriate increment shall be established and scheduled in the AFM.

[Issue: AWO/2]

AMC AWO.A.HUD.112 HUD landing distance

- (a) The following definitions should apply when considering the concept of a flare cue:
- (1) **‘flare cue’**: a flare cue is specific symbology displayed on the HUD that supports the flare manoeuvre; for this purpose, a flare cue may be implemented as a ‘flare prompt’ or ‘flare guidance’.
 - (2) **‘flare prompt’**: a flare prompt advises the pilot when it is time to initiate the control inputs for the flare manoeuvre and transition to landing; a flare prompt should not provide command guidance for manoeuvring the aeroplane with regard to the rate or magnitude of manual inputs, alignment to runway heading nor touching down at a specific point on the runway.
 - (3) **‘flare guidance’**: provides explicit command guidance for the pilot to flare the aircraft from the initiation of the manoeuvre until touchdown.
- (b) The term ‘flare cue’ is used in this AMC as a general term that describes either a ‘flare prompt’ or ‘flare guidance’.
- (c) The determination of the landing distance when using a HUD or equivalent display should be performed when one of the following features are part of the intended design:
- (1) flare guidance;
 - (2) a flare prompt in combination with flare guidance; or
 - (3) a flare prompt, if the height at which the flare is prompted differs from the one at which the landings without using the HUD or equivalent display are performed to the extent that it could have an impact on the landing distance.
- (d) A flare cue provided on a HUD or equivalent display is typically provided in the vertical axis by means of a symbol that prompts the pilot to initiate the flare at a suitable moment, and can guide the pilot to control the vertical flight path to touchdown.
- (e) For a HUD or equivalent display that is used for landing and designed to provide display features such as a flare cue to support the pilot’s task of executing the landing:
- (1) The landing distance assessment should cover all the conditions scheduled in the AFM, including landing in abnormal conditions and, if applicable, specific operations.
 - (2) The requirements of CS 25.125 should be applied, except that the configuration, procedure and speed should be those recommended in the associated procedures for using a HUD or equivalent display.
 - (3) The operating procedures, aeroplane configuration, approach speed, thrust management, piloting techniques and the landing distance data applicable for landings using a HUD or equivalent display with a flare cue should be furnished in the AFM.

- (4) The landing distance as derived under (e)(2) should be compared with the landing distance determined without the flare cue (unfactored landing distance as per CS 25.125):
- (i) If the landing distance using the flare cue is longer than without it, the unfactored landing distance with flare cue is the one derived under (e)(2).
 - (ii) If the landing distance is the same (flare cue does not modify the air time and speed reduction), then the unfactored landing distance with flare cue is equal to the landing distance established in accordance with CS 25.125. A minimum factor to be applied to the unfactored landing distance with flare cue should be determined to account for the difference between:
 - (A) the flight path angle used in the analysis for compliance with the specifications of CS 25.125 and that which is used for the flare cue (typically -3.0°);
 - (B) the touchdown sink rate used in the analysis for compliance with the specifications of CS 25.125 and the one as per the intended design of the flare cue.
- The AFM should provide the unfactored landing distance with the flare cue and the minimum factor as determined above.
- (iii) In any case, the landing distance may not be shorter than the landing distance established in accordance with CS 25.125 without using the flare cue.

[Issue: AWO/2]

CS AWO.A.HUD.113 Flare cue performance

- (a) The use of the flare cue must provide for acceptable performance in all conditions for which it is intended to be used.
- (b) The use of flare cue should not require exceptional piloting skill, alertness, strength nor induce excessive pilot workload.

[Issue: AWO/2]

AMC1 AWO.A.HUD.113 Criteria for acceptable landing performance using a flare cue

- (a) The use of the flare cue during specific operations (e.g. steep approach, if approved) and abnormal conditions should be evaluated unless the AFM prohibits the use of the flare cue during those operations and/or abnormal conditions. The AFM should explicitly state whether there are cases when the flare cue cannot be used.
- (b) Acceptable performance using a flare cue is achieved when the following criteria are demonstrated by flight test:
 - (1) touchdown is achieved within the touchdown zone, which is the first one third, or the first 3 000 ft, of the usable runway, whichever is more restrictive;
 - (2) the average touchdown sink rate does not exceed 6 ft per second;

- (3) touchdown with a bank angle that it is not hazardous to the aeroplane (i.e. no contact of any part of the engine nacelle or the wing with the ground).

A safe go-around is possible at any time including touchdown in all configurations to be certified.

- (c) The flare, from initiation until touchdown, should be assessed to ensure the following:
 - (1) Suitable flare performance that ensures the following:
 - (i) no evidence of early or late flare;
 - (ii) no over-flare or under-flare;
 - (iii) no undue 'pitch-down' tendency at flare initiation or during the flare;
 - (iv) no flare oscillation;
 - (v) no abrupt flare;
 - (vi) no inappropriate pitch response during the flare;
 - (vii) no unacceptable floating tendency;
 - (viii) any other unacceptable characteristic that a pilot could interpret as failure or inappropriate response of the flight guidance system, and disconnect, disregard, or contradict the flare indication.
 - (2) For a nominal range of 2.5 to 3.5° approach paths, demonstrate that there is not a substantial reduction in the flare performance from 2.0 to 4.0°.

[Issue: AWO/2]

AMC2 AWO.A.HUD.113 Conditions for the demonstration of an acceptable landing with flare cue

- (a) In accordance with CS AWO.HUD.113, the use of a flare cue during landing should ensure that the landing performance is acceptable according to the criteria established in AMC1 AWO.A.HUD.113 for all normal conditions where it is intended to be certified, which should include at least the following:
 - (1) landing weight range and centre-of-gravity (CG) range;
 - (2) range of speed, including possible aircraft failure cases for which flare cue is still intended to be used;
 - (3) tailwind;
 - (4) crosswind;
 - (5) turbulence;
 - (6) sensor (e.g. radio altimeter, vertical speed) nominal accuracy;
 - (7) runway slope and runway slope changes in touchdown zone;
 - (8) final approach angle;
 - (9) irregular terrain before to runway threshold.

- (b) Appropriate limitations on the use of the flare cue in relation to the conditions that it can be used should be published in the AFM.

[Issue: AWO/2]

CS AWO.A.HUD.114 Assessment of the failure conditions relating to the use of flare cues

An assessment of the effects of failure conditions relating to the use of the flare cue shall be conducted in accordance with CS 25.1309.

[Issue: AWO/2]

AMC AWO.A.HUD.114 Assessment of the failure conditions associated with the use of the flare cue

- (a) For the purpose of the failure assessment of the flare cue in the context of CS 25.1309, it may be necessary to use a simulator with an acceptable visual system, which accurately represents the real aeroplane, in particular the handling qualities, the ground effect, the fog structure, and the cut-off angle (i.e. the angle between the longitudinal axis of the aircraft and an incline plane below up to the limit at which the pilot can view).
- (b) The failure assessment of the flare cue should take into account at least the following nominal environmental conditions:
- (1) minimum visibility / RVR of the operation intended to be certified (e.g. RVR 550m for CAT I, RVR 300m for EFVS-L);
 - (2) day and night conditions;
 - (3) runways with different length and width;
 - (4) runways with different lighting layout (e.g. no centre line lights, no TDZ lights, etc.).
- (c) As flare cue failures are expected to be detected by the flight crew using visual cues, a multiple representative population range of flight crews should be involved in the failure assessment of the flare cue in the simulator.

[Issue: AWO/2]

SECTION 3 — ENHANCED FLIGHT VISION SYSTEMS (EFVSs)

CS AWO.A.EFVS.101 General

- (a) An enhanced flight vision system (EFVS) uses an electronic means to provide a real-time display of the forward external scene topography through the use of imaging sensors.
- (b) The EFVS shall provide a demonstrated vision performance in low-visibility conditions and a level of safety suitable for the proposed operational procedure that will allow the required visual references to become visible in the image before they are visible naturally out-the-window.
- (c) The EFVS shall provide an enhanced vision image that can be used during an instrument approach to enhance the pilot's ability to detect and identify the required visual references for landing in order to gain an operational credit and descend below the decision altitude (DA) / decision height (DH) or minimum descent altitude (MDA).
- (d) The EFVS sensor imagery and required aircraft flight information and flight symbology shall be displayed on a HUD (or equivalent display) so that the imagery and symbology are clearly visible to the pilot flying in their normal position with the line of vision looking forward along the flight path. The HUD or equivalent display that is used to display the EFVS sensor imagery, aircraft flight information and flight symbology shall comply with the requirements of Subpart A Section 2.
- (e) The EFVS shall include the display element, sensors, computers and power supplies, indications, and controls. It may receive inputs from an airborne navigation system or flight guidance system. The EFVS display characteristics and dynamics shall be suitable for the manual control of the aircraft.
- (f) A database may be used to support the provision of a synthetic runway (or equivalent). For these databases, a consistent set of data quality requirements (DQRs) shall be established to support the intended function of the equipment. Any requirements for the databases must be described to enable operators to conduct checks before using the database. The means of processing and maintaining the database shall be defined.

[Issue: AWO/2]

AMC AWO.A.EFVS.101 General

The functions the enhanced flight vision system (EFVS) is intended to perform should be defined. This definition should include what features will be displayed and the criticality of pilot decision-making when using the display features. The additional intended functions (for example, terrain alerting) should be defined according to AMC 25-11 as well as CS 23.2500 and CS 25.1301.

This should include the use of the EFVS to visually acquire the visual references required to operate below the DA/H or the MDA and the criticality of pilot decision-making based on what is visible when using the EFVS display. The purpose of the EFVS is to provide a visual advantage over the pilot's out-the-window view using natural vision. In low-visibility conditions, the 'enhanced flight visibility' should exceed the 'flight visibility', and the required visual references should become visible to the pilot at a longer distance with an EFVS than they would be out-the-window using natural vision. The visual advantage of using an EFVS should be demonstrated before descending below the DA/H or the

MDA because this is the point in an instrument approach procedure where the operating rules permit an EFVS to be used in lieu of natural vision for operational benefits.

Note 1: The EFVS is not intended to replace the technologies or procedures already used to safely fly the aircraft down to the MDA/H or the DA/H.

Note 2: While the goal of the EFVS is to exceed the natural flight visibility in the majority of cases / weather conditions, there may be meteorological conditions where the EFVS does not provide a significant advantage.

Note 3: The HUD (or equivalent display) is separately certified and should remain subject to all applicable rules and guidance for a given category of aircraft and operation.

Databases that are used to support the provision of a synthetic runway (or equivalent) that are provided by a Type 2 DAT provider certified in accordance with Regulation (EU) 2017/373¹ or equivalent, and that are compliant with the data quality requirements (DQRs) are considered to be an acceptable means of compliance to CS AWO.A.EFVS.101(f).

Note: For databases, the applicant should identify the DQRs during the airworthiness approval and demonstrate that they are consistent with the intended function of the equipment.

[Issue: AWO/2]

CS AWO.A.EFVS.102 Enhanced flight vision system designation

- (a) An enhanced flight vision system — approach (EFVS-Approach (EFVS-A)) is a system that has been demonstrated to meet the criteria to be used for approach operations from a DA/H or an MDA to 30 m (100 ft) touchdown zone elevation (TDZE) whilst all system components function as intended, but may have failure modes that could result in the loss of the EFVS capability. It shall be assumed for an EFVS-A that:
- (1) the pilot will conduct a go-around above 30 m (100 ft) TDZE, in the event of an EFVS failure; and
 - (2) descent below 30 m (100 ft) above the TDZE through to touchdown and roll-out shall be conducted using natural vision in order that any failure of the EFVS shall not prevent the pilot from completing the approach and landing.
- (b) An enhanced flight vision system — landing (EFVS-Landing (EFVS-L)) is a system that has been demonstrated to meet the criteria to be used for approach and landing operations that rely on sufficient visibility conditions to enable unaided roll-out and to mitigate for the loss of the EFVS function.
- Note: When a HUD (or equivalent display) is used for an EFVS-L, it does not necessarily have to comply with the HUDLS requirements.*
- (c) An EFVS that meets the certification criteria for an EFVS-L shall be considered to have met the certification criteria for an EFVS-A.

[Issue: AWO/2]

¹ Commission Implementing Regulation (EU) 2017/373 of 1 March 2017 laying down common requirements for providers of air traffic management/air navigation services and other air traffic management network functions and their oversight, repealing Regulation (EC) No 482/2008, Implementing Regulations (EU) No 1034/2011, (EU) No 1035/2011 and (EU) 2016/1377 and amending Regulation (EU) No 677/2011 (OJ L 62, 8.3.2017, p. 1).

CS AWO.A.EFVS.103 Enhanced flight vision system depiction

- (a) The enhanced flight vision system (EFVS) sensor imagery and the following flight symbology shall be presented so that they are aligned with and scaled to enable a one-to-one (conformal) overlay with the actual external scene:
 - (1) aircraft attitude;
 - (2) command guidance as appropriate for the approach to be flown;
 - (3) flight path vector (FPV);
 - (4) flight path angle reference cue (FPARC), and other cues, which are referenced to this imagery and external scene topography; and
- (5) the means required by CS AWO.A.EFVS.105(b).
- (b) The FPARC shall be suitable for monitoring the vertical flight path of the aircraft on approaches without vertical guidance and shall be displayed referenced to the pitch scale. It shall be possible for the pilot to be able to set the FPARC to the desired descent angle for the approach. The descent angle may also be automatically set to a value found in an on-board database.
- (c) The displayed EFVS imagery and aircraft flight symbology shall not adversely obscure the pilot's outside view or field of view (FOV) through the cockpit window and shall be free of interference, distortion, and glare that would adversely affect the pilot's normal performance and workload.
- (d) The EFVS-L shall provide a means of providing a flare cue and shall use a radio altimeter (or other device capable of providing equivalent performance and integrity level) to determine height above terrain.

[Issue: AWO/2]

AMC AWO.A.EFVS.103 EFVS depiction

The EFVS image is in the centre of the pilot's regulated 'pilot compartment view'. It should be free of interference, distortion, and glare that would adversely affect the pilot's normal performance and workload. A video image can be more difficult for the pilot to see through than symbols that are also displayed on the HUD. Unlike symbology, the video image illuminates, to some degree, most of the total display area of the HUD with much greater potential interference with the pilot compartment view. It is sufficient for the pilot to see around the video image, but the outside scene must be visible through and around it.

Unlike the pilot's external view, the EFVS image is a monochrome, two-dimensional display. Some, but not all, of the depth cues found in the natural view are also found in the imagery. The quality of the EFVS image and the level of the EFVS sensor performance could depend significantly on the atmospheric and external light source conditions. Gain settings of the sensor, and brightness or contrast settings of the HUD (or equivalent display), can significantly affect image quality. Certain system characteristics could create distracting and confusing display artefacts. Finally, this is a sensor-based system that is intended to provide a conformal perspective.

The sensor image, combined with the required aeroplane state and position reference symbology, is presented to the flight crew on a HUD (or an equivalent display), so that they are clearly visible to the pilot flying in their normal position and line of vision looking forward along the flight path.

The integration of the major components should include the installed sensor, its interconnections with the sensor display processor, the display device, pilot interface, and aircraft mechanical interface, which can include the radome for the sensor.

Flare cue

An EFVS-L should have a flare cue because it is intended to enable landing in low visibility. As regards flare cue, whether a flare prompt or flare guidance, its compliance with AMC AWO.A.HUD.107 should be demonstrated.

Flare guidance provides explicit command guidance for the pilot to flare the aircraft.

A flare prompt advises the pilot when it is time to begin making the control inputs for the flare manoeuvre and transition to landing. A flare prompt does not provide command guidance for manoeuvring the aeroplane with regard to the rate or magnitude of manual inputs, alignment to runway heading nor touching down at a specific point on the runway.

[Issue: AWO/2]

CS AWO.A.EFVS.104 Enhanced flight vision system display

- (a) The display of the enhanced flight vision system (EFVS) image on the HUD (or equivalent display) shall not hinder or compromise the pilot's ability to see and use the required primary flight display information.
- (b) The field of regard (FOR) of the HUD (or other equivalent display) shall be sufficient for the EFVS information to be displayed conformally over the range of anticipated aircraft attitudes, aircraft configurations, and environmental (including wind) conditions for each mode of operation.
- (c) The EFVS FOR shall be appropriate for the intended operation and function, and shall take into consideration:
 - (1) the HUD (or equivalent display) and the EFVS sensor FOV;
 - (2) the orientation of the HUD (or equivalent display) with respect to the aircraft frame of reference; and
 - (3) the orientation of the aircraft.
- (d) The EFVS FOR shall be checked during certification flight test for sufficiency in meeting its intended function.
- (e) When a minimum flight crew of more than one pilot is required for the conduct of the intended operation, a suitable display EFVS sensor imagery shall be provided to the pilot monitoring in order to monitor and assess the safe conduct of the approach, and for EFVS-L the landing and also the roll-out. The intended use of the monitoring display shall be defined and, if needed, the symbology that need to be displayed shall be derived.

Note: The intended use may include consistency checks and mitigation for failure conditions as per the FHA. The purpose of the consistency check is to ensure that the aircraft position and attitude and speed are correct and that the pilot monitoring can verify and anticipate the safe continuation of the approach leading to a landing in the touchdown zone using normal manoeuvres.
- (f) The EFVS image shall be compatible with the field of view (FOV) and head motion box of the HUD.

- (g) A previously certified HUD (or equivalent display) that is used to display EFVS shall continue to meet the conditions of the original approval and shall be adequate for the intended function, in all phases of flight in which the EFVS is used.
- (h) The EFVS display shall permit the pilot to accurately and easily recognise unusual aircraft attitude (and other abnormal manoeuvres) and initiate a timely recovery.
- (i) The latency of the EFVS display shall be minimised and shall not be confusing or misleading to the pilot, and shall not affect control performance or increase pilot workload.
- (j) The EFVS shall minimise the potential for misleading or distracting imagery by precluding off-axis information from folding into the primary FOR imagery.
- (k) The displayed EFVS image jitter amplitude shall be appropriate and minimised, and shall not exhibit jitter greater than that of the HUD (or equivalent display) that it is displayed on.
- (l) The displayed EFVS image flicker shall be appropriate and minimised, and shall not exhibit flicker greater than that of the HUD (or equivalent display) that it is displayed on.
- (m) The EFVS shall not exhibit any objectionable noise, local disturbances or an artefact that are hazardous misleading and/or detract from the use of the system.
- (n) The accuracy of the integrated EFVS and HUD (or equivalent display) image shall be appropriate for the intended function and operation.
- (o) Any passive sensor optical distortion shall be appropriate for the intended function and operation.
- (p) The EFVS sensor shall provide a means to minimise blooming and shall prevent blooming that results in the required visual references no longer being distinctly visible and identifiable.
- (q) The EFVS image persistence time shall be appropriate for the intended function and operation.
- (r) Dead pixels shall be minimised and shall be of a total area appropriate for the intended function and operation.
- (s) The effects of parallax caused by lateral, vertical, and longitudinal offset of the sensor from the pilots' design eye position shall not impede the EFVS from performing its intended function, and shall not result in significant performance differences in unsatisfactory landing or safety-related performance parameters between EFVS operations and visual operations in the same aircraft.
- (t) The EFVS-A display that provides imagery to the pilot monitoring shall:
 - (1) be located so that it is plainly visible to the pilot monitoring from their station with the minimum practicable deviation from their normal position and line of vision when the pilot looks forward along the flight path, and any symbology displayed shall not adversely obscure the sensor imagery of the runway environment;
 - (2) provide an image of the visual scene over the range of aircraft attitudes and wind conditions for each mode of operation, and enable the pilot monitoring to support effective flight crew tasks for the operation;
 - (3) not require the pilot monitoring to unduly move their head/body away from their normal scan pattern or their normal seated position; and
 - (4) ensure satisfactory display of imagery in all lighting and environmental conditions, and that dimming controls of the display are adequate.
- (u) The EFVS-L display that provides imagery to the pilot monitoring shall:

- (1) be centred as nearly as practicable about the vertical plane of the pilot's forward vision;
- (2) be located so that the pilot monitoring seated at the controls can monitor the aeroplane's flight path and instruments with minimum head and eye movement;
- (3) provide an image of the visual scene over the range of aircraft attitudes and wind conditions for each mode of operation, and enable the pilot monitoring to see and identify visual references and to verify that all visual requirements for the approach and landing are satisfied;
- (4) not require the pilot monitoring to unduly move their head/body away from their normal scan pattern or their normal seated position; and
- (5) ensure satisfactory display of imagery in all lighting and environmental conditions, and that dimming controls of the display are adequate.

[Issue: AWO/2]

AMC AWO.A.EFVS.104 EFVS display

The EFVS imagery should not degrade the presentation of essential flight information on the HUD. The pilot's ability to see and use the required primary flight display information, such as primary attitude, airspeed, altitude, and command bars, should not be hindered or compromised by the EFVS image on the HUD.

The EFVS imagery displayed on the HUD or equivalent display must account for the pilot compartment view requirements found in CS 25.773 or CS 23.2600, including validation that the display of imagery does not conflict with the pilot compartment view. The display of the EFVS sensor imagery should be on a system that compensates for the interference caused by the provided imagery. Additionally, the system should provide an undistorted and conformal view of the external scene, a means to deactivate the display, and should not restrict the pilot from performing specific manoeuvres. The following tasks associated with the use of the pilot's view should not be degraded below the level of safety that existed without the video imagery:

- (a) Detection, accurate identification and manoeuvring, as necessary, to avoid traffic, terrain, obstacles, and other hazards of flight.
- (b) Accurate identification and utilisation of visual references required for every task relevant to the respective phase of flight.

Note: Although the EFVS image requirements relate primarily to the approach and landing phases of flight, the EFVS image, when viewed head-up during ground operations, should not create unacceptable distraction to the pilots due to sensor proximity to the taxiway surface.

For EFVSs that are implemented on a HUD, the image should be compatible with the FOV and head motion box of a HUD designed against SAE ARP5288 Transport Category Airplane Head Up Display (HUD) Systems. When used in a given phase of flight, the HUD and the EFVS FOR must provide a conformal image with the visual scene over the range of aircraft attitudes and wind conditions.

EFVS display criteria must meet the CS-23 or CS-25 airworthiness specifications (as applicable) (see Appendix 1 to the AMC to Section 3 of Subpart A). Some of these specifications could be specific to EFVSs and could be in addition to all other requirements applicable to the HUD and the basic avionics installation. The amount of new test data can be determined by the individual application, availability, and relevance of data.

The current certification specifications for HUDs apply with respect to EFVSs. These criteria include well-established military as well as civil aviation standards for HUDs as defined in MIL-STD-1787C Aircraft Display Symbolology and in AMC 25-11. SAE design standards for HUD symbology, optical elements, and video imagery are also prescribed within SAE AS8055 Minimum Performance Standard for Airborne Head Up Display (HUD), SAE ARP5288 Transport Category Airplane Head Up Display (HUD) Systems, and SAE ARP5287 Optical Measurement Procedures for Airborne Head Up Display (HUD). The specific design standards for image size, resolution and line width, luminance and contrast ratio, chromaticity, and grayscale should be applied.

A HUD modified to display EFVS imagery should continue to meet the conditions of the original approval and be adequate for the intended function in all phases of flight in which the EFVS is used. An accurate, easy, quick-glance interpretation of attitude should be possible for all unusual attitude situations and other 'non-normal' manoeuvres to permit the pilot to recognise the unusual attitude and initiate recovery within 1 second. The use of chevrons, pointers, and/or permanent ground-sky horizon on all attitude indications to perform effective manual recovery from unusual attitudes is recommended. Refer to AMC 25-11 for guidance on electronic flight deck displays.

EFVS latency should be no greater than 100 milliseconds (ms). Latency should not be discernible to the pilot and should not affect control performance nor increase pilot workload. EFVS latency causes, at best, undesirable oscillatory image motion in response to pilot control inputs or turbulence. At worst, EFVS latency may cause pilot-induced oscillations if the pilot attempts to use the EFVS for active control during precision tracking tasks or manoeuvres in the absence of other visual cues.

EFVS field of regard (FOR)

The minimum fixed FOR should be 20 degrees horizontally and 15 degrees vertically. In applications where the FOR is centred on the flight path vector (FPV), the minimum vertical FOR should be 5 degrees (± 2.5 degrees) and 20 degrees horizontally.

- (a) The minimum EFVS FOR should not only consider the HUD FOV (i.e. the size of the area that is displayed), but also the area over which this area subtends (i.e. what is shown on the conformal display). The FOR portrayed on the HUD is established by three primary aspects:
- (1) HUD and EFVS sensor FOV;
 - (2) orientation of the HUD with respect to the aircraft frame of reference (for example, boresight and proximity to pilot's eye); and
 - (3) orientation (for example, attitude) of the aircraft, if FOR is centred on FPV.
- (b) SAE ARP5288 *Transport Category Airplane Head Up Display (HUD) Systems* states: 'The design of the HUD installation should provide adequate display fields-of-view in order for the HUD to function correctly in all anticipated flight attitudes, aircraft configurations, or environmental conditions such as crosswinds for which it is approved. Limitations should be clearly specified in the AFM if the HUD cannot be used throughout the full aircraft flight envelope.'

A quantitative EFVS FOR should be established as a minimum design criterion to be qualitatively checked during the certification flight test for sufficiency in meeting its intended function. The EFVS FOR should result from consideration of the minimum FOR criteria for various aircraft attitudes and wind conditions using a critical altitude of 200 ft height above TDZE for EFVS visibility.

- (c) A variable FOR is permissible assuming a slewable sensor (i.e. variable FOR), centred on the FPV, with a minimum ± 2.5 degrees about the FPV to allow for momentary flight path perturbations and to allow for sufficient fore/aft view of the required visual references.

Off-axis rejection

A source in object space that is greater than 1 degree outside the FOV should not result in any perceptible point or edge-like image within the FOV. The EFVS should preclude off-axis information from folding into the primary FOR imagery, creating the potential for misleading or distracting imagery.

Jitter

When viewed from the HUD eye reference point, the displayed EFVS image jitter amplitude should be less than 0.6 mrad. Jitter for this use is defined in SAE ARP5288. This implies that the EFVS and the HUD cannot exhibit jitter greater than that of the HUD itself.

Flicker

Flicker is brightness variations at frequency above 0.25 Hz as per SAE ARP5288. The minimum standard for flicker should meet the criteria of SAE ARP5288. Flicker can cause mild fatigue and reduced crew efficiency. Therefore, the EFVS and the HUD should not exhibit flicker greater than that of the HUD itself.

Image artefacts

The EFVS should not exhibit any objectionable noise, local disturbances, or an artefact that prevents the system from meeting its intended function. The EFVS design should minimise display characteristics or artefacts (for example, internal system noise, 'burlap' overlay, or running water droplets) which obscure the desired image of the scene, impair the pilot's ability to detect and identify visual references, mask flight hazards, distract the pilot, or otherwise degrade task performance or safety.

Image conformality

The accuracy of the integrated EFVS and HUD image should not result in a greater than 5 mrad display error at the centre of the display at a range of 2 000 ft (100 ft altitude on a 3-degree glideslope). In accordance with SAE ARP5288, the total HUD system display accuracy error, as measured from the HUD eye reference point, should be less than 5.0 mrad at the HUD boresight, with increasing error allowable toward the outer edges of the HUD. Errors away from the boresight should be as defined in SAE ARP5288. The primary EFVS error components include the installation misalignment of the EFVS sensor from aircraft/HUD boresight and sensor parallax. A range parameter is used in the EFVS conformability requirement to account for the error component associated with parallax. There is no error allowed for the EFVS sensor, since it is assumed that any error can be electronically compensated during installation. With EFVS operations, the aircraft is flown essentially irrespective of the EFVS/HUD dynamic error, to the MDA or DA. From this point to 100 ft height above TDZE, the EFVS conformality error introduces error in the pilot's ability to track along the extended centre line / vertical glide path as the pilot flies the FPV and glide path reference line toward the EFVS image of the runway.

Dynamic range

The minimum required dynamic range for passive EFVSs should be 48 dB. For active EFVSs, side lobes should be 23 dB below the main beam, and 40 dB dynamic range plus sensitivity time control.

Sensor image calibration

Visible image calibrations and other built-in tests that cannot be achieved within a total latency of 100 ms should occur only either on pilot command or be coordinated by aircraft data to only occur in non-critical phases of flight. If other than normal imagery is displayed during the non-uniformity correction (NUC) or other built-in tests, the image should be removed from the pilot's display. This prohibits excessive times to complete maintenance or calibration functions

which would remove or degrade the EFVS imagery during critical phases of flight, unless the pilot commands the action (with full knowledge of the effect based on training and experience). Abnormal imagery should be removed from the display to eliminate the potential for any misleading information.

Passive sensor optical distortion

Optical distortion should be 5 % or less across the minimal FOR and no greater than 8 % outside the minimal FOR.

Sensor sensitivity

In this context, the EFVS sensor sensitivity should be at least a noise-equivalent temperature difference (NETD) of 50° mK tested at an appropriate ambient temperature for passive EFVSs or –20 dB sm/sm (square metre/square metre) surface at R_{max} from 200 ft height above TDZE with a typical 3° glideslope for active EFVSs. Passive sensors for different visible or short-wave infrared sources can require very sensitive detectors, as specified by low noise-equivalent powers.

Blooming

The sensor should incorporate features to minimise blooming, which can create an unusable or objectionable image. Objectionable blooming is defined as the condition that obscures the required visual cues. Blooming to the extent the required visual references are no longer distinctly visible and identifiable is unacceptable.

Image persistence

The image persistence time constant should be less than 100 ms. However, burn-in or longer image persistence caused by high-energy sources (for example, the sun saturating the infrared sensor elements) should be removed from the image. Image artefacts should be removed by a secondary on-demand process (for example, the non-uniformity correction (NUC) process).

Dead pixels

Dead pixels or sensor elements replaced by a ‘bad pixel’ replacement algorithm should be limited to 1 % average of the total display area, with no cluster greater than 0.02 % within the minimum FOR. A small number of disparate dead pixel elements can be effectively replaced by image processing but eventually the algorithms will degrade the image quality and accuracy due to the sheer number and closely spaced location of the element.

Parallax

The effects of parallax caused by lateral, vertical, and longitudinal offset of the sensor from the pilots’ design eye points should not impede the EFVS from performing its intended function, as evaluated during flight test. Parallax should not cause unsatisfactory landing performance parameters (e.g. flare height, sink rate, touchdown location, ground speed during landing, exit and taxiing) between EFVS operations and visual operations in the same aircraft.

[Issue: AWO/2]

CS AWO.A.EFVS.105 Head-up display enhanced flight vision system (HUD EFVS) symbology

- (a) In addition to sensor imagery, the flight instrument data that is displayed on the HUD (or equivalent display) shall, as a minimum, include:

- (1) airspeed,
 - (2) vertical speed,
 - (3) aircraft attitude,
 - (4) heading,
 - (5) altitude,
 - (6) command guidance as appropriate for the approach to be flown,
 - (7) path deviation indications,
 - (8) FPV, and
 - (9) FPARC.
- (b) A means shall be provided within the HUD (or equivalent display) on the approach to:
- (1) enable a consistency check with the EFVS imagery and other flight information;
 - (2) increase awareness of the runway environment and its emergent location; and
 - (3) enable the expected location on the HUD (or equivalent display) of the approach and threshold lights to be identified during the particular types of approach for which certification is requested.
- Such means must not be misleading, must not cause pilot confusion nor increase pilot workload, and must not occlude the emerging EFVS cues.
- (c) EFVS-L that is intended to be used from the DA/H through touchdown and roll-out at not less than 300 m (1 000 ft) RVR shall also display:
- (1) height AGL such as that provided by the use of a radio altimeter or other device capable of providing equivalent performance and integrity level; and
 - (2) a flare prompt or flare guidance for achieving acceptable touchdown performance.
- (d) The appearance and dynamic behaviour of the EFVS-L flare prompt shall be distinct from any command guidance and shall appear in a timely and conspicuous manner to the pilot.
- (e) An FPV shall be provided on the same display as the EFVS imagery and shall provide a position and motion that corresponds to the aircraft's earth-referenced FPV, and shall dynamically respond to follow the pilot control inputs.
- (f) The dynamic response of the FPV symbol to pilot control inputs shall not exhibit undue lag or overshoot.
- (g) An FPARC shall be provided on the same display as the EFVS imagery that is suitable for monitoring the vertical path of the aircraft. A means shall be provided to permit the pilot to select the desired descent angle that is represented by the FPARC. It is also possible for the descent angle to be provided automatically from a database.
- (h) The display of attitude symbology, FPV, FPARC, and other visual elements which are earth referenced, shall be aligned with, scaled and conformal to the external view.
- (i) The EFVS display of imagery, flight information and flight symbology shall provide suitable visual reference for the pilot during the manual performance of any manoeuvres within the operating limitations of the aircraft, including taxiing, take-off, approach, landing and roll-out, as applicable for the intended function.

[Issue: AWO/2]

AMC1 AWO.A.EFVS.105 HUD EFVS symbology

Flare prompt

A flare prompt is intended to notify the pilot that it is time to initiate the flare manoeuvre but does not guide the pilot's manual pitch control inputs. The pilot should use situational information (e.g. altitude, vertical rate, attitude, FPV, perspective view of the runway) from the EFVS to judge the magnitude and rate of manual pitch control inputs. The appearance and dynamic behaviour of the flare prompt should be distinguishable from command guidance. The flare prompt should appear timely and conspicuously to the pilot using the HUD so that the flare manoeuvre will be neither too early nor too late and within the TDZ as described in AMC AWO.A.EFVS.109.

[Issue: AWO/2]

AMC2 AWO.A.EFVS.105(b) HUD EFVS symbology

The provision of a conformal runway outline or synthetic runway on the HUD on approach is considered an acceptable means of enabling a consistency check of the EFVS imagery to increase awareness of the runway environment and enable the expected location of the approach lighting system to be identified.

[Issue: AWO/2]

CS AWO.A.EFVS.106 Enhanced flight vision system (EFVS) display controls

- (a) A means of controlling the EFVS display contrast/brightness shall be provided that prevents:
 - (1) distraction of the pilot;
 - (2) impairment of the pilot's ability to detect and identify visual references;
 - (3) masking of flight hazards; and
 - (4) degradation of task performance or safety.
- (b) If an automatic control means for image brightness is not provided, it shall be shown that the manual setting of image brightness meets the above criteria and does not cause excessive pilot workload.
- (c) The EFVS display controls shall be visible to, and within reach of, the pilot flying from any normal seated position and shall provide a readily accessible control to permit the pilot flying to immediately deactivate or reactivate the display of the EFVS image on a HUD (or equivalent display) without requiring the pilot to remove their hands from the primary flight controls and thrust control.
- (d) The position and movement of the EFVS controls shall be designed to minimise the likelihood of inadvertent operation.
- (e) With the exception of controls located on the pilot's control wheel (or equivalent), EFVS controls shall be adequately illuminated for all normal background lighting conditions, and shall not create any objectionable reflections on the HUD (or equivalent display) or other flight instruments.

[Issue: AWO/2]

AMC AWO.A.EFVS.106 EFVS display controls

There should be a means to allow the pilot using the display to immediately deactivate and reactivate the vision system imagery, on demand, without requiring the pilot to remove their hands from the primary flight and power controls, or their equivalent controls.

The EFVS installation and image should have an effective control of the EFVS display brightness without causing excessive pilot workload nor adverse physiological effects such as fatigue or eye strain.

[Issue: AWO/2]

CS AWO.A.EFVS.107 Enhanced flight vision system (EFVS) safety assessment

- (a) The normal operation of the EFVS shall not adversely affect, or be adversely affected by, other aircraft systems.
- (b) A safety assessment of the installed EFVS, considered separately and in conjunction with other relevant installed systems, shall be conducted to meet the requirements of CS 23.2510 or CS 25.1309 as applicable.
- (c) The EFVS design shall be assessed in accordance with the specifications of either CS 23.2510 or CS 25.1309 as applicable.
- (d) An aircraft- and system-level functional hazard assessment (FHA) and system safety assessment (SSA) shall be prepared to determine the hazard level associated with the system failure conditions and to determine the minimum required software and hardware design assurance levels (DALs).
- (e) Any alleviating flight crew actions that are considered in the EFVS safety analysis shall be validated during testing for incorporation in the AFM.
- (f) The flight crew workload shall be assessed in accordance with CS 23.2600 or CS 25.1302 as applicable.

[Issue: AWO/2]

AMC AWO.A.EFVS.107 EFVS safety assessment

The safety assessment should show that the applicant's specific installation meets all the integrity criteria for the aircraft systems and for the EFVS. All aircraft configurations to be certified should be addressed.

The applicant may need to assess by flight test or simulation the effects of combinations of EFVS malfunctions that are not classified as Catastrophic by the functional hazard analysis (FHA) (to support compliance demonstration to CS 23.2500(a), CS 23.2500(b), CS 23.2510, CS 23.2605 or CS 25.1309, as applicable).

The overall level of safety of the aircraft is based on installed equipment. A complete system safety assessment (SSA) should be conducted. The SSA should consider the potential for hazardously misleading information (HMI) being presented to the flight crew. Examples of HMI that should be considered include at least information providing attitude, altitude, and distance cues as outside terrain imagery, frozen and offset imagery.

EFVS fail-safe features

The normal operation of the EFVS may not adversely affect, or be adversely affected by, other normally operating aircraft systems. Detected malfunctions of the EFVS which could cause display of misleading information should be annunciated and the misleading information removed. The criticality of the EFVS's function to display imagery, including the potential to display HMI, should be assessed according to CS 25.1309 and AMC 25-11. Likewise, the hazard effects of any malfunction of the EFVS that could adversely affect interfaced equipment or associated systems should be determined and assessed according to CS 25.1309 and AMC 25-11. Similar criteria can be found in CS 23.2510. This requirement should be met through an SSA and documented via fault tree analysis (FTA), failure mode and effects analysis (FMEA), and failure mode and effects analysis substantiation (FMEA substantiation), or equivalent safety documentation.

[Issue: AWO/2]

CS AWO.A.EFVS.108 Enhanced flight vision system (EFVS) level of safety

- (a) The safety design goals for airworthiness approval shall be established and shall consider the phase of flight and include the required:
 - (1) accuracy,
 - (2) continuity,
 - (3) availability, and
 - (4) integrity.
- (b) An FHA shall be conducted in accordance with CS 23.2510 or CS 25.1309 as applicable.
- (c) The EFVS safety level (failure and performance) shall not be less than the safety level required for non-EFVS-A-based precision and non-precision approaches (NPAs) with DAs/DHs of 60 m (200 ft) or above.
- (d) The ability of the pilot(s) to cope with any failures identified in the SSA or to provide intervention to limit the effect of a hazard shall be demonstrated and justified.
- (e) In showing compliance, any probabilities used shall not be factored by the fraction of approaches which are made using EFVS.
- (f) For EFVS-L, a satisfactory level of safety (failure and performance) appropriate to the operations being addressed shall be demonstrated with the visual segment primarily accomplished by the use of an EFVS-L rather than natural vision.
- (g) For EFVS-L, a system evaluation shall be conducted to establish the failure modes and determine whether the pilot can safely land and roll out with available natural vision plus whatever remains of the EFVS-L. The evaluation shall not assume that a safe landing can be achieved with only available natural vision after any failure of the EFVS-L.

[Issue: AWO/2]

AMC AWO.A.EFVS.108 EFVS level of safety

During the development and design of an EFVS, the safety design goals for airworthiness approval should be established. The safety criteria for each phase of flight, including approach and landing systems, should be defined in terms of accuracy, continuity, availability, and integrity. Appropriate design guidance should be used to determine the overall required level of safety for the aircraft, in any mode of flight, and for any combination of failures which can cause an unsafe condition in order for them to be fully assessed and categorised. This should include the ability of the flight crew to cope with these failures. The hazard level for any aircraft system will depend on the ability of the flight crew to cope with failures. For failures where the SSA assumes a particular pilot intervention to limit the hazard effects (for example, from catastrophic or hazardous to major or minor), it should be shown that the pilot can be relied on to perform that intervention. For example, the pilot might be assumed to detect a system error because of other displays or out-the-window view.

It should be demonstrated that flight crew can detect the error in a timely fashion and not be hazardingly misled. The demonstration must validate the hazard classification contained in either CS 23.2510 or CS 25.1309, as appropriate.

The applicant should demonstrate a satisfactory safety (failure and performance) level which should not be lower than the safety level required for precision and NPAs with decision altitudes (DAs) of 200 ft or above without the use of an EFVS. In showing compliance, probabilities cannot be factored by the fraction of approaches which are performed using EFVS. Consideration, however, can be given to the EFVS critical flight time, such as from the highest DH that can be expected for an approach to 100 ft above the TDZE using an EFVS-A.

The selected DALs are directly linked to the specific intended use and to the specific EFVS installation as an integrated part of the flight deck flight information system.

In showing compliance with these safety criteria, the probabilities of failure conditions of an EFVS-L should not be factored by the fraction of approaches which require an EFVS-L. The probabilities of failure conditions of an EFVS-L should also not be factored by a statistical distribution of visibility conditions. The exposure time used for failure calculations of an EFVS-L should be the elapsed time from descent below the highest expected DA/H for the approach using an EFVS-L to completion of roll-out to a safe taxi speed.

Any malfunction, fault detection and annunciation schemes should satisfy the required levels of safety and should perform their intended functions.

[Issue: AWO/2]

CS AWO.A.EFVS.109 Enhanced flight vision system (EFVS) performance

- (a) A performance demonstration and evaluation of the enhanced flight vision system (EFVS) shall be performed, and shall include demonstrations of:
- (1) approach,
 - (2) missed approach,
 - (3) failure conditions, and

- (4) crosswind conditions.
- (b) The demonstration of performance shall consider the lateral and vertical limits that could exist at the approach minima for the type of intended approach for which certification is sought.
 - (c) The performance of the EFVS sensor shall be established in terms of the visual advantage of the system when low-visibility conditions exist. This shall be achieved by determining the ability of the EFVS sensor to provide the display of the visual references of the runway environment that are required at operationally relevant distances (see AMC7 SPA.LVO.105(c) point (e)).
 - (d) The EFVS sensor resolution performance shall adequately resolve, for pilot identification, the runway threshold and the TDZ to enable the intended function.
 - (e) The maximum allowable final approach course offset shall be established.
 - (f) The image/symbology of an EFVS shall provide the visual cues for the pilot to control the approach speed (manual or automatic) up to the point of transition to natural vision without requiring exceptional pilot skill, alerting, strength or excessive workload.
 - (g) An EFVS with superimposed flight symbology shall not mislead nor distract the pilot, nor jeopardise the safety of the landing and roll-out, and the performance of the system shall be demonstrated to be equivalent to or better than that normally achieved in visual operations for the specific aircraft type for all performance parameters measured.
 - (h) The HUD (or equivalent display) shall meet the performance and integrity requirements applicable to the intended type of operation. Refer to CS-AWO Subpart B Section 2 SA CAT I, Section 3 CAT II or Section 4 CAT III.

[Issue: AWO/2]

AMC1 AWO.A.EFVS.109 EFVS performance

The performance of EFVS imaging systems does not solely depend upon system design, but also depends upon the target scene characteristics such as the runway, light structures, electromagnetic radiation, and atmospheric conditions.

Since the purpose of the EFVS sensor is to provide a visual advantage over the pilot's out-the-window view, the design should include a general performance analysis. This analysis should include the calculated performance, which indicates the viability of the system to meet the proposed intended function, specifically including the calculated performance of the sensor operation within the range of the environment proposed.

Likewise, since the purpose of the EFVS sensor is to provide a visual advantage over the pilot's out-the-window view, the general performance analysis should include the calculated transmission of electromagnetic energy in the visible spectrum and other relevant frequencies. The analysis should portray the length of transmission over a path with generalised extinction coefficients at a given wavelength.

EUROCAE ED-291 *Test Procedures for Quantified Visual Advantage* Issue 1 contains an acceptable methodology for determining and quantifying the visual advantage for an EFVS-A or EFVS-L, and should be used as the basis for the flight test.

Note: Examples of acceptable sensor models are MODTRAN and LOWTRAN, which can be used to estimate the performance of infrared systems. Other models (FASCODE) for radar systems may be used for these types of sensors and provide a basic measure of signal attenuation helpful in assessing performance and viability for the required functions.

Both the installed system and the individual system components should be verified to ensure compliance with the requirements in Book 1 Subpart A Section 3.

Airframe and equipment manufacturer-based tests or analyses, as applicable, should be developed and conducted to validate the detailed system criteria. No specific test procedures are cited because alternative methods can be used. Alternate procedures can be utilised if it can be demonstrated that they provide the totality of the required information. System performance tests are the most important tests as they relate to operational capability. Subsystem tests are used as subsystems are added during system build-up to ensure appropriate subsystem performance as it relates to overall system performance.

An evaluation of the system used during anticipated operational scenarios should be conducted.

The minimum detection EFVS range can be derived by using an assumed minimum distance of the aircraft at the nominal Category I (200 ft) DA before which the EFVS should image the visual cues required by AMC7 SPA.LVO.105(c) point (e).

Sensor resolution

As a minimum, the EFVS resolution performance shall adequately resolve (for pilot identification) the runway threshold and the TDZ to enable the intended function. For example, an EFVS should resolve a 60-ft wide runway from 200 ft height above the TDZE with a typical 3-degree glideslope. The sensor resolution has been established by providing this resolution at a minimum range, allowing the pilot to continue the descent below DA or MDA. (These values do not take into account pilot decision time or actual atmospheric conditions, or the use of NPAs which may require greater distances.) A 60-ft wide runway has been chosen as the ICAO minimum runway width to support instrument approach procedures.

Display resolution

Since the sensor can be active or passive, the EFVS display should adequately resolve a 60-ft wide runway from 200 ft height above the TDZE with a typical 3-degree glideslope. The pilot needs to be able to detect and accurately identify the visual references in the image.

Performance demonstration

The performance demonstration, establishing aircraft system compliance, typically includes bench testing, flight testing, data collection, and data reduction to show that the proposed performance criteria can be met. Minimal performance standards necessitate an evaluation of the system used during anticipated operational scenarios. The performance evaluations should, therefore, include demonstrations of taxi, take-off, missed approaches, failure conditions, crosswind conditions, and approaches into specific aerodromes as appropriate for the system's intended function. For EFVSs, performance at the lateral and vertical limits for the type of approach (for example, precision, non-precision, and approach with vertical guidance) for which operational credit is being sought should be demonstrated.

The applicant should demonstrate compliance through flight test using an aircraft that is fully representative for the purpose of the test in terms of flight deck geometry, instrumentation, alerts, indications, and controls (in the air or on the ground).

In addition, the applicant should use any of these three general verification methods to supplement flight testing:

- (a) Analysis: demonstrate compliance using an engineering analysis.
- (b) Laboratory test: demonstrate compliance using an engineering bench representative of the final EFVS being certified.

- (c) Simulation: demonstrate compliance using a flight simulator.

The individual verification methods that are to be used should be specified in the certification plan to be agreed by EASA. For extensions, features, and design decisions not explicitly specified in this certification specification, human factors evaluations should be conducted through analyses, bench, simulation, or flight testing.

Final approach course offsets greater than 3 degrees should be subject to additional flight test evaluation. The maximum allowable final approach course offset is established by flight testing. This testing should include the factors related to the offset, such as HUD/EFVS FOV, crosswinds, and the maximum drift angle for a conformal FPV.

Benchmark data establishing equivalence to normal visual operations with a specific aircraft should not normally be necessary. However, if flight test results show deviations from the standard criteria listed above, then benchmark data might be used to establish the equivalence of operations with EFVS-L to normal visual operations for that specific aircraft.

The image/symbology of EFVS-L should provide the visual cues for the pilot to perform the following actions without requiring exceptional piloting skill, alerting, strength, or excessive workload:

- (a) Speed control within +10/–5 kt of the approach speed, whether manually controlled or with auto-throttle, up to the point where the throttles are retarded for landing.
- (b) A smooth transition through flare to landing.
- (c) Approach, flare, and landing at a normal sink rate for the aircraft.
- (d) All touchdowns in the TDZ. Lateral touchdown performance should be demonstrated to be no worse than that achieved in visual operations with natural vision for a specific aircraft. Longitudinal touchdown performance must be demonstrated within the TDZ which is the first one third, or the first 3 000 ft, of the usable runway, whichever is more restrictive, and demonstrated to be equivalent to or better than that achieved in visual operations with natural vision for that specific aircraft.
- (e) Prompt and predictable correction of any lateral deviation away from the runway centre line to smoothly intercept the centre line.
- (f) Touchdowns with a bank angle that is not hazardous to the aeroplane.
- (g) Demonstrated performance of the installed EFVS at representative visibilities for operations conducted with EFVS-A and EFVS-L, as described in this document, will determine any additional limitation (for example, crosswind and offset).
- (h) A normal derotation.
- (i) Satisfactory and smooth control of the aeroplane from touchdown to a safe taxi speed.
- (j) Satisfactory and smooth control of the path of the aeroplane along the runway centre line through roll-out to a safe taxi speed.
- (k) A safe go-around at any time, including up to touchdown in all configurations to be certified.

EFVS-L performance demonstration

For EFVS-Ls and, where appropriate, for the performance demonstration, the non-visual conditions can be achieved either by natural obscuration or by use of a visibility-limiting device in front of the pilot. Caution should be used if the use of a visibility-limiting device for system performance demonstrations is selected. Visibility-limiting devices may not adequately simulate low-visibility conditions for all performance demonstrations of EFVS-Ls because of the unrealistically good external

visibility outside the HUD FOV and the unrealistic image performance of the EFVS-Ls in good atmospheric conditions.

[Issue: AWO/2]

CS AWO.A.EFVS.110 Enhanced flight vision system — landing (EFVS-L) — Landing performance

- (a) The lateral and longitudinal touchdown performance of an EFVS-L system shall be demonstrated and shall be equivalent to or better than that normally achieved in visual operations. The use of the EFVS-L system must provide acceptable performance in all conditions for which it is intended to be used.
- (b) If EFVS-L flare cue results in an increase to the landing distance, then the appropriate increment shall be established and scheduled in the AFM.
- (c) The image/symbology of an EFVS-L system shall provide the visual cues for the pilot to perform the following without requiring exceptional piloting skill, alerting, strength or excessive workload:
 - (1) control of approach speed (manual or automatic) up to the point of landing;
 - (2) transition through flare to landing;
 - (3) approach, flare, and landing at a normal sink rate for the aircraft;
 - (4) prompt and predictable correction of any lateral deviation away from the runway centre line to smoothly intercept the centre line;
 - (5) touchdowns with a bank angle that is not hazardous to the aeroplane;
 - (6) a normal derotation;
 - (7) control of the path of the aeroplane along the runway centre line through roll-out to a safe taxi speed; and
 - (8) a safe go-around any time, including up to touchdown in all configurations to be certified.

[Issue: AWO/2]

AMC1 AWO.A.EFVS.110 EFVS-L landing performance

- (a) Due to the fact that a flare cue is required for EFVS-L operations, the landing distance to be applied for EFVS-L operations should be the landing distance established for the flare cue (see AMC AWO.A.HUD.112).
- (b) During all EFVS-L tests, the acceptable landing criteria should be achieved and demonstrated in accordance with the criteria of AMC2 AWO.A.EFVS.110.

[Issue: AWO/2]

AMC2 AWO.A.EFVS.110 Acceptable landing performance criteria for EFVS-Ls

- (a) The landing performance of an EFVS-L is acceptable if the EFVS-L image/symbology provides the pilot with visual cues to enable to perform the following without requiring exceptional piloting skill or alertness:
- (1) Speed control within +10/–5 kt of the approach speed, whether manually controlled or with auto-throttle, as proposed by the applicant, up to the point where the throttles are retarded for landing.
 - (2) A smooth transition through flare to landing.
 - (3) Approach, flare, and landing at a normal sink rate for the aircraft, i.e. the average touchdown rate of descent not exceeding 6 ft per second.
 - (4) All touchdowns in the TDZ. Longitudinal touchdown performance should be demonstrated within the TDZ which is the first one third, or the first 3 000 ft, of the usable runway, whichever is more restrictive, and demonstrated to be equivalent to or better than that achieved in visual operations for the specific aircraft.
 - (5) Prompt and predictable correction of any lateral deviation away from the runway centre line to smoothly intercept the centre line.
 - (6) Touchdowns with a bank angle that is not hazardous to the aeroplane, i.e. no contact of any part of the engine nacelle or the wing with the ground.
 - (7) A normal derotation.
 - (8) Satisfactory and smooth control of the aeroplane from touchdown to a safe taxi speed.
 - (9) Satisfactory and smooth control of the path of the aeroplane along the runway centre line through roll-out to a safe taxi speed.
 - (10) A safe go-around any time, including up to touchdown in all configurations to be certified.
- (b) The demonstrated performance of the installed EFVS-L at representative visibility levels for EFVS landing system operations will determine whether there is a need for any additional limitations (for example, crosswind and offset). Appropriate limitations should be published in the AFM.

[Issue: AWO/2]

CS AWO.A.EFVS.111 Enhanced flight visual system (EFVS) monitoring, annunciation and alerting

- (a) The mode of operation (display status (e.g. displayed/not displayed)) and any mode that could have an impact on the EFVS performance (e.g. level of contrast or resolution of the image) shall be:
- (1) annunciated on the flight deck;
 - (2) visible to the flight crew; and
 - (3) recorded by the flight data recorder if required to be installed.

- (b) Any detected EFVS malfunction that can adversely affect the normal operation of the EFVS shall be annunciated to the flight crew and shall include as a minimum sensor failures and frozen image failure messages.
- (c) No single EFVS malfunction shall lead to the display of misleading information leading to a Hazardous or Catastrophic failure condition. Detected malfunctions shall be annunciated and the malfunctioning display elements removed.

[Issue: AWO/2]

AMC AWO.A.EFVS.111 EFVS monitoring, annunciation and alerting

Failure messages

EFVS malfunctions detected by the system, and which can adversely affect the normal operation of the EFVS, should be annunciated. As a minimum, specific in-flight failure message(s) for sensor failure and frozen image should be displayed to the flight crew.

EFVS annunciations

Any modes of EFVS operation should be annunciated on the flight deck and should be visible to the flight crew. The modes of the EFVS operation should be made available to the flight data recorder, as required.

[Issue: AWO/2]

CS AWO.A.EFVS.112 Enhanced flight vision system (EFVS) documentation

The demonstrated capability and any specific EFVS limitations shall be included within the relevant AFM section.

[Issue: AWO/2]

AMC AWO.A.EFVS.112 EFVS documentation

The following minimum information should be provided in the AFM:

- (a) the approved limits established as a result of consideration of any other factor that the certification has shown to be appropriate;
- (b) the normal and abnormal procedures, including airspeeds;
- (c) the minimum required equipment;
- (d) any additional aeroplane performance limitations;
- (e) if appropriate, the type of approaches and the xLS navigation means (facilities external to the aircraft) and associated limitations (if any) which have been used as the basis for certification;
- (f) any related limitations and/or assumptions on the runway or aerodrome conditions that are affected by the use of the EFVS; for EFVS-L, this should also consider:
 - (1) runway elevation,

- (2) approach path slope,
- (3) touchdown zone slope,
- (4) ground profile under the approach path;
- (g) the type and mode of operation/configuration of the approach lights (i.e. LED or incandescent) that have been used or assumed during the certification demonstration of the EFVS;
- (h) the demonstrated performance in accordance with CS AWO.A.EFVS.109;
- (i) wind speed limitations that are affected by the use of the EFVS;
- (j) any applicable assumptions that have been made during the certification demonstration of the EFVS.

[Issue: AWO/2]

Appendix 1 to the AMC to Section 3 of Subpart A

EFVS compliance

The following is a non-exhaustive list of certification specification in CS-25 that could be affected by an EFVS installation.

Applicants for normal-category aeroplanes (CS-23) can use the list below to establish whether the equivalent aspects in CS-23 are affected and address them accordingly.

Note: As of Amendment 5 to CS-23, the referenced CS-23 requirement numbers are reflected in the AMC to CS-23.

Certification specification	Description
25.251	Vibration and buffeting
25.301	Loads
25.303	Factor of safety
25.307	Proof of structure
25.561 / 25.562(c)(5)	Emergency landing conditions; head injury criterion (HIC)
25.571	Damage-tolerance and fatigue evaluation of structure
25.581	Lightning protection
25.601	Design and construction — General
25.603	Materials
25.605	Fabrication methods
25.609	Protection of structure
25.611	Accessibility provisions
25.613	Material strength properties and material design values
25.619	Special factors
25.625	Fitting factors

Certification specification	Description
25.629(d)(8)	Aeroelastic stability
25.631	Bird strike damage
25.771	Pilot compartment
25.773	Pilot compartment view
25.777	Cockpit controls
25.1301	Function and installation
25.1309	Equipment, systems, and installations
25.1316	Electrical and electronic system lightning protection
23.1308 and 25.1317	High-intensity radiated fields (HIRF) protection
25.1321	Arrangement and visibility
25.1322	Flight crew alerting
25.1323	Airspeed indicating systems
25.1329	Flight guidance system
25.1353	Electrical equipment and installations
25.1357	Circuit protective devices
25.1381	Instrument lights
25.1419	Ice protection
25.1431(a)(c)	Electronic equipment
25.1459(e)	Flight data recorders
25.1501	Operating limitations and information — General
25.1523	Minimum flight crew
25.1525	Kinds of operation
25.1529	Instructions for Continued Airworthiness
25.1581	Aeroplane flight manual — General
25.1583	Operating limitations
25.1585	Operating procedures

[Issue: AWO/2]

SECTION 4 — SYNTHETIC VISION GUIDANCE SYSTEMS (SVGSS)

GENERAL

CS AWO.A.SVGS.101 Applicability and terminology

A synthetic vision guidance system (SVGS) is an installed airborne system that comprises the following elements:

- (a) a flight display, displayed head down or head up;
- (b) a means to monitor the system performance with the capability to provide alerts;
- (c) a means to monitor aircraft position with the capability to provide alerts;
- (d) a radio altimeter or other device capable of providing equivalent performance and integrity level;
- (e) terrain, runway and obstacle databases;
- (f) a means to depict the runway of intended landing;
- (g) a means to provide a flight path angle reference cue (FPARC);
- (h) a means to provide the flight path vector (FPV); and
- (i) a means to identify the missed approach point (MAPt).

[Issue: AWO/2]

AMC AWO.A.SVGS.101 General

Further guidance on the integration of a synthetic vision guidance system (SVGS) is contained within RTCA DO-359.

Databases provided by a Type 2 DAT provider certified in accordance with Regulation (EU) 2017/373¹, or equivalent, and that are compliant with the data quality requirements (DQRs) are considered an acceptable means of compliance to CS AWO.A.SVGS.113.

Note: For databases, the applicant should identify the DQRs during the airworthiness approval and demonstrate that are consistent with the intended function of the equipment.

Definitions

‘Minification’: perceived visual compression effect stemming from the display of the imagery with a wider field of view than the conformal field of view of the display device.

‘Minification ratio’: field of view of the imagery being displayed to the pilot divided by the conformal field of view of the display.

¹ Commission Implementing Regulation (EU) 2017/373 of 1 March 2017 laying down common requirements for providers of air traffic management/air navigation services and other air traffic management network functions and their oversight, repealing Regulation (EC) No 482/2008, Implementing Regulations (EU) No 1034/2011, (EU) No 1035/2011 and (EU) 2016/1377 and amending Regulation (EU) No 677/2011 (OJ L 62, 8.3.2017, p. 1).

[Issue: AWO/2]

CS AWO.A.SVGS.102 Synthetic vision guidance system (SVGS) scene depiction

The SVGS primary display at each pilot station shall provide:

- (a) a geospatially correct depiction of the external topography and obstacles from the perspective of the flight deck (egocentric) that shall not provide a pilot's view that is depicted below the earth's surface;
- (b) a means of giving a sense of motion while on the final approach segment (FAS);
- (c) a clear and obvious means of the display status of the SVGS scene depiction;
- (d) a means to easily identify and correlate prominent topographical features with the actual external scene;
- (e) a means to enable the flight crew to be able to perceive relative distances to prominent topographical features;
- (f) consistency between position accuracy, symbology, and topographical information;
- (g) a consistent display of terrain awareness warning system (TAWS) (or terrain warning system) terrain alerts across all displays;
- (h) the ability for displayed terrain or displayed obstacle conflicts to be obvious to the flight crew;
- (i) a scene range from the eye position to the terrain horizon that is sufficient and is not misleading; and
- (j) an SVGS primary display that does not degrade the pilot's ability to see and use the required primary flight display information.

If depicted, displays of approach paths shall not be intersected by topographical features.

[Issue: AWO/2]

CS AWO.A.SVGS.103 Minimum requirements for synthetic vision guidance system (SVGS) flight instrument displays

Pilots operating the aircraft from their normal seated position shall be provided with the following SVGS displays features and characteristics:

- (a) A clear and distinct, geographically accurate, perspective depiction of the runway of intended landing that is integrated with the SVGS scene and derived from an accepted database (see CS AWO.A.SVGS.113, 114, 115 and 116). The runway depiction shall be displayed within the positional accuracy requirements. This shall be usable by the flight crew at a minimum distance of 2 nautical miles from the runway threshold.
- (b) Lateral and vertical path deviations.
- (c) Command guidance display.
- (d) An earth-referenced flight path vector (FPV) with a symbol that is scaled to and aligned with the SVGS scene that does not interfere with the display of attitude.

- (e) A flight path angle reference cue (FPARC) referenced to the pitch scale at the desired and selected descent angle for the approach that does not interfere with the display of attitude.
- (f) Error annunciations (SVGS depiction, navigation signal integrity and excessive deviation (flight technical error)) that are displayed in the pilot's primary field of view (FOV).
- (g) Alerts (warning or caution level, as appropriate) to inform the flight crew when the SVGS function is lost or degraded below the required level of performance. Any detected erroneous information shall be removed from the display.
- (h) Characteristics and dynamics that are suitable and effective to enable the manual control of the aircraft.
- (i) Radio altitude or equivalent display.
- (j) The threshold of the runway of intended landing.
- (k) Where more than one runway is depicted, a means of distinguishing the intended landing runway from other runways.
- (l) A means to provide a sense of ground speed, altitude trend and direction due to aircraft movement through the depicted scene, if not inherently provided by the terrain depiction.
- (m) When conforming an image to the outside world, such as on a HUD (or equivalent display), the image shall not obscure or significantly hinder the ability of the flight crew to detect real-world objects.

Coded information elements overlaid over images shall:

- (1) be readily identifiable and distinguishable for all foreseeable conditions of the underlying image and range of motion;
- (2) not obscure necessary information contained in the image;
- (3) be depicted with the appropriate size, shape, and placement accuracy to avoid being misleading;
- (4) retain and maintain their shape, size, and colour for all foreseeable conditions of the underlying image and range of motion; and
- (5) show that if there is any obscured information, it is either not needed when it is obscured or it can be rapidly recovered.

The SVGS display shall not interfere with the external visibility, interpretation and use of cues, and guidance presented on the head-down display (HDD) (primary flight display) or HUDs used for the conduct of the approach procedure.

[Issue: AWO/2]

CS AWO.A.SVGS.104 Command guidance

Command guidance cues (flight director) shall meet the required flight technical error performance and accuracy for the intended operation (see CS-AWO Subpart B Section 2 SA CAT I or Section 3 CAT II or Section 4 for CAT III (for manual CAT III landings using a HUD or equivalent display)).

[Issue: AWO/2]

CS AWO.A.SVGS.105 Synthetic vision guidance system (SVGS) — Use of a head-up display or equivalent display

A HUD (or equivalent display) used in an SVGS shall meet the requirements of Subpart A Section 2 HUD for the intended operation, in particular CS AWO.A.HUD.111.

If the SVGS depiction is included within the HUD (or equivalent display) symbology and used in combination with other aircraft systems, then the SVGS depiction shall include all the additional flight instrument features needed for the intended operation, performance and monitoring.

The HUD (or equivalent display) shall meet the performance and integrity requirements applicable to the intended type of operation. Refer to CS-AWO Subpart B Section 2 SA CAT I, Section 3 CAT II or Section 4 CAT III.

[Issue: AWO/2]

CS AWO.A.SVGS.106 Field of regard (FOR)

The field of regard (FOR) of a HUD (or equivalent display) or a head-down display (HDD) used to display the SVGS depiction shall support the intended functions over the range of anticipated aircraft attitudes, aircraft configurations, runway environments, and environmental (e.g. wind) conditions.

[Issue: AWO/2]

CS AWO.A.SVGS.107 Head-down display (HDD) minification

For a SVGS implemented on head-down primary displays, the minification ratio shall be shown to be satisfactory.

[Issue: AWO/2]

SYSTEM MONITORING, ANNUNCIATION AND ALERTING

CS AWO.A.SVGS.108 Information provided to the flight crew

Sufficient information shall be provided to the flight crew to enable them to monitor the system's status and the approach operation's progress and safety.

Such information shall include unambiguous:

- (a) identification of the intended path for the approach (e.g. approach type, approach identifier, frequency or channel number); and
- (b) indication of the system's status.

[Issue: AWO/2]

CS AWO.A.SVGS.109 Annunciation of the synthetic vision guidance system's (SVGS) mode and status

The flight crew shall be provided with a means to determine the capability of the airborne system elements to accomplish the approach operation prior to the approach in the event of failed aircraft systems or components that affect the decision to continue in SVGS mode.

If more than one approach navigation source is available, then the navigation source selected for the intended approach shall be positively indicated in the primary FOV.

[Issue: AWO/2]

CS AWO.A.SVGS.110 Synthetic view guidance system (SVGS) fault detection and alerting

The SVGS shall provide an automatic means to detect hazardously misleading guidance signals and alert the pilot to such signals.

Annunciations shall be provided in the primary FOV.

The SVGS shall be capable of monitoring the continuity of the navigation source.

An alert shall be provided if during the final approach the SVGS operation cannot be completed due to system malfunction.

The time-to-alert shall be compliant with the intended operation as defined by ICAO Annex 10 Vol. 1 Section 3.1.5.7.3.1.

[Issue: AWO/2]

CS AWO.A.SVGS.111 Flight technical error

The lateral and vertical tracking performance shall be appropriate and comply with the performance requirements for the intended operation (see CS AWO.B.SACATI.113 or CS AWO.B.CATII.113 or CS AWO.B.CATIII.115).

[Issue: AWO/2]

CS AWO.A.SVGS.112 Navigation system error

In order to ensure the required accuracy and integrity of the guidance and the SVGS scene depiction, the navigation system or position error shall be monitored. The accuracy shall be suitable for the intended operation (see CS AWO.B.SACATI.113, CS AWO.B.CATII.113 or CS AWO.B.CATIII.115) and the integrity shall meet the relevant safety objectives of CS 25.1309 or CS 23.2510.

Positioning and guidance sources shall be monitored.

[Issue: AWO/2]

TERRAIN, RUNWAY AND OBSTACLE DATABASES

CS AWO.A.SVGS.113 Databases — general

For any database such as terrain, runway or obstacle that are used for SVGS scene depiction, a consistent set of data quality requirements (DQRs) shall be established to support the intended function of the equipment. Any requirements for the databases must be described to enable operators to conduct checks before using the database. The means of processing and maintaining the databases shall be defined.

[Issue: AWO/2]

SVGS FLIGHT DISPLAY ELEMENTS

CS AWO.A.SVGS.114 Minimum display size

SVGS displays shall be large enough to present information in a form that is usable, readable and identifiable to the flight crew at their design eye positions, relative to the operational and lighting environment and in accordance with the SVGS intended function(s).

[Issue: AWO/2]

CS AWO.A.SVGS.115 HUD SVGS — pilot controls

Manual or automatic SVGS scene depiction contrast (if provided) and/or brightness controls shall be effective in dynamically changing background (ambient) lighting conditions to prevent distraction of the pilot, impairment of the pilot's ability to detect and identify visual references, masking of flight hazards, or any other factor that would otherwise degrade task performance or safety.

Manual or automatic SVGS scene depiction brightness/luminance controls shall not overwrite or interfere with the HUD (or equivalent display) symbology.

[Issue: AWO/2]

SVGS FLIGHT DISPLAY PERFORMANCE

CS AWO.A.SVGS.116 Latency

Latency or system lag shall not be discernible to the pilot, and shall not affect control performance nor increase pilot workload.

The latency period induced by the display system for alerts shall not be excessive, and shall take into account the category of the alert and the required crew response time.

The dynamic response of the display shall be sufficient to discern and read the displayed information without presenting misleading, distracting, or confusing information.

[Issue: AWO/2]

CS AWO.A.SVGS.117 Jitter

The jitter amplitude of the displayed SVGS image shall be less than 0.6 milliradian (mrad).

[Issue: AWO/2]

CS AWO.A.SVGS.118 Flicker

The SVGS display refresh rate shall preclude both the appearance of unacceptable flicker (brightness variations at a frequency above 0.25 Hz) and any flicker effects that result in misleading information or difficulty in reading or interpreting the information under the full range of ambient environments up to the maximum ambient illumination level.

[Issue: AWO/2]

CS AWO.A.SVGS.119 Image artefacts

Undesirable display artefacts and characteristics shall be minimised so that the information is still readable and identifiable under all foreseeable conditions, is not distracting, and does not lead to misinterpretation of data.

Line widths shall be of sufficient size and optimal sharpness to display the intended information with no distracting visual artefacts or ambiguities that could result in the information being unreadable, distracting or misleading.

[Issue: AWO/2]

CS AWO.A.SVGS.120 HUD (or equivalent display) processing error

The generation of the SVGS depiction shall not result in a scene display error greater than 5 mrad at the centre of the display, independent of sensor inputs.

[Issue: AWO/2]

CS AWO.A.SVGS.121 SVGS scene depiction alignment

There shall be no discernible image misalignment caused by lateral, vertical, or longitudinal offset of the computed SVGS reference point from the design eye position.

[Issue: AWO/2]

AIRCRAFT POSITION MONITORING AND ALERTING

CS AWO.A.SVGS.122 Aircraft position monitoring and alerting

The SVGS shall provide a means of monitoring the difference between the intended flight path and the actual flight path. Information shall be provided to the flight crew to enable the monitoring of progress and the safety of the approach operation.

Such information shall be clear and unambiguous, and shall indicate to or alert the flight crew when the position of the aircraft with respect to the intended path becomes hazardous due to either:

- (a) the aircraft being out of position with respect to the defined flight path;
- (b) an error in the navigation guidance being followed; and/or
- (c) an error in the position of the SVGS scene.

The alerts shall be displayed in the pilot's primary FOV, and shall be active at least from 300 ft height above touchdown to the MAPt.

The time-to-alert shall be compliant with the intended operation as defined by ICAO Annex 10 Vol. 1 Section 3.1.5.7.3.1.

[Issue: AWO/2]

CS AWO.A.SVGS.123 Excessive deviation

An alert shall be displayed to the pilot when the lateral and vertical deviation exceeds the acceptable limits from the guidance being followed.

Refer to CS AWO.B.SACATI.115, CS AWO.B.CATII.115, or CS AWO.B.CATIII.120.

[Issue: AWO/2]

CS AWO.A.SVGS.124 Annunciation of the system's mode and status

Any detected SVGS malfunction that can adversely affect the normal operation of the SVGS shall be visually annunciated to the flight crew.

The SVGS display shall indicate when SVGS operations are not authorised. Alerts shall be displayed in the pilot's primary FOV.

[Issue: AWO/2]

CS AWO.A.SVGS.125 Determination of the missed approach point (MAPt)

The SVGS shall provide a clear and unambiguous means to inform the pilot when they pass through the point/altitude at which the visual external cues shall be acquired to continue the approach.

[Issue: AWO/2]

CS AWO.A.SVGS.126 Altimetry requirements

The SVGS display shall include a radio altitude display or another system that provides height above terrain with equivalent performance, accuracy, integrity, availability, level of independence, and dissimilarity.

[Issue: AWO/2]

CS AWO.A.SVGS.127 Barometric altimeter / air data source

The altitude source used for the SVGS display shall be consistent with that used for the on-board terrain awareness and alerting system on the aircraft, and shall not provide contradictory indications of vertical terrain clearance.

If barometric altimetry is used to determine the MAPt, then it shall be temperature compensated.

[Issue: AWO/2]

CS AWO.A.SVGS.128 Geometric altimetry/GPS data source

If geometric/GPS altimetry is used, it shall display geometric altitude relative to mean sea level (MSL).

[Issue: AWO/2]

SVGS SCENE

CS AWO.A.SVGS.129 Depiction of terrain and runway of intended landing

The SVGS shall provide a means of integrating the runway and terrain data, and the terrain in the area surrounding the runway shall not be depicted floating above or below the runway.

[Issue: AWO/2]

CS AWO.A.SVGS.130 SVGS scene depiction positioning

The SVGS scene depiction positioning sensor shall meet the required positioning performance criteria for the intended operation.

[Issue: AWO/2]

SYSTEM SAFETY AND DESIGN ASSURANCE LEVEL (DAL)

CS AWO.A.SVGS.131 System safety objectives

The SVGS shall be shown to safely perform its intended function for each operation and phase of flight for which it will be used, and shall comply with the requirements of CS 23.2510 or CS 25.1309, as applicable.

[Issue: AWO/2]

CS AWO.A.SVGS.132 Overall system safety design criteria

The SVGS shall be shown to meet the performance and integrity requirements applicable to the intended type of operation (CS-AWO Subpart B Section 2 SA CAT I, Section 3 CS-AWO CAT II, or Section 4 CS-AWO CAT III with HUDLs).

[Issue: AWO/2]

CS AWO.A.SVGS.133 Flight data recorder (FDR)

If a flight data recorder is required to be installed, then the modes of the SVGS operation shall be recorded.

[Issue: AWO/2]

CS AWO.A.SVGS.134 SVGS documentation

The demonstrated capability and any specific SVGS limitations shall be included within the relevant AFM section.

[Issue: AWO/2]

SECTION 5 — COMBINED VISION SYSTEMS (CVSs)

GENERAL

CS AWO.A.CVS.101 General

- (a) Combined vision systems (CVSs) combine a real-time imaging sensor and a display with a synthetic image generated using a terrain, runway and obstacle database, and a precision navigation position.
- (b) A CVS shall comply with the requirements of the respective certification specifications for the images that are generated, and in addition shall ensure that:
 - (1) the images are conformal with each other;
 - (2) the images are aligned within 5 mrad laterally and vertically at the boresight of the display;
 - (3) the images do not cause confusion to the flight crew; and
 - (4) significant image discrepancies due to failure conditions are obvious to the flight crew.
- (c) If a HUD (or equivalent display) is used to display the images, then it shall meet the performance and integrity requirements applicable to the intended type of operation. Refer to CS-AWO Subpart B Section 2 SA CAT I, Section 3 CAT II or Section 4 CAT III.
- (d) CVSs that are used for operational credits shall also meet the requirements that apply for EFVSs or SVGSs.

[Issue: AWO/2]

APPENDIX 1 TO THE ACCEPTABLE MEANS OF COMPLIANCE TO SUBPART A 'MODELS'

Signal-in-space models for approach and landing simulation and fault analysis

1 Purpose

The purpose of this Appendix to the AMC is to provide acceptable signal-in-space models based on known navigation means (facilities external to the aircraft) that can be used to demonstrate in simulation the system performance in approach and landing. It should be noted that system performance depends on the performance of the navigation means (nominal limit and fault), and a performance demonstration conducted using one navigation means may not be valid when using another navigation means due to different nominal limit and fault characteristics.

Note: These models are primarily intended to simulate the characteristics of beams at low altitude and, therefore, the results derived from its use should not be relied on for heights above 150 m (500 ft).

2 ILS CAT I/II/III signal-in-space model

The values given are derived from the performance characteristics for ILS, contained in ICAO Annex 10, Volume I, Sixth Edition, dated July 2006, at Amendment 90, except where otherwise indicated.

ICAO Annex 10 Volume I (Attachment C, paragraph 2.14) defines a standard classification of ILS by using three characters:

- (1) facility performance (I, II or III);
- (2) ILS points (A, B, C, T, D or E — see definition below) to which the localiser structure conforms to the course structure of a CAT II/III localiser; and
- (3) level of integrity and continuity of service (1, 2, 3 or 4).

ILS point 'A'

A point on the ILS glide path measured along the extended runway centre line in the approach direction at a distance of 7.5 km (4 NM) from the threshold.

ILS point 'B'

A point on the ILS glide path measured along the extended runway centre line in the approach direction at a distance of 1 050 m (3 500 ft) from the threshold.

ILS point 'C'

A point through which the downward extended straight portion of the nominal ILS glide path passes at a height of 30 m (100 ft) above the horizontal plane containing the threshold.

ILS reference datum (point 'T')

A point at a specified height located above the intersection of the runway centre line and the threshold, and through which the downward extended straight portion of the ILS glide path passes.

ILS point 'D'

A point 4 m (12 ft) above the runway centre line and 900 m (3 000 ft) from the threshold in the direction of the localiser.

ILS point 'E'

A point 4 m (12 ft) above the runway centre line and 600 m (2 000 ft) from the stop end of the runway in the direction of the threshold.

Depending on the intended operation, the minimum class of ILS elected will define the detailed characteristics of the ILS to be used for:

- nominal and limit case analysis;
- failure cases to be considered; and
- integrity and continuity analysis.

2.1 Glide path

2.1.1 Glide path angles

It should be assumed that the operationally preferred glide path angle is 3°. The system should be shown to meet all applicable requirements with promulgated glide path angles from 2.5° to 3°. Minimum and maximum glide path angle slopes considered in the demonstrations should be defined and the system should meet all applicable requirements within the defined limits. Where certification is requested for the use of a larger beam angle, the performance on such a beam should be assessed.

- For CAT I operations, it is recommended to cover at least a 2.5° to 3.5° glideslope range.
- For CAT II or CAT III operations, it is recommended to cover a 2.5° to 3° glideslope range.

2.1.2 Height of the ILS reference datum (height of glide path at threshold)

For establishing compliance with the longitudinal touchdown performance limits, it may be assumed that the height of the ILS reference datum is 15 m (50 ft).

2.1.3 Glide path alignment accuracy

It should be assumed that the standard deviation of the beam angle about the nominal angle (θ) is 0.025 θ .

2.1.4 Displacement sensitivity

It should be assumed that the angular displacement from the nominal glide path for 0.0875 DDM has the value of 0.12 θ .

2.1.5 Glide path structure

For the purposes of simulation, the noise spectrum of the ILS glide path may be represented by a white noise passed through a low-pass first-order filter of time constant 0.5 s.

Note: For CAT I ILS, a combination of high-frequency and low-frequency noise would be more representative of the actual noise experienced in-service.

For the whole of the approach path, the output of the filter should be set to a two-sigma level of:

- 0.035 DDM up to point 'C' for facility performance Type I; and
- 0.023 DDM up to ILS reference datum (point 'T') for facility performance Type II or III.

(Background: An interpretation of Annex 10, Volume I, Section 3.1.5.4.1 and 3.1.5.4.2)

Note 1: ICAO Annex 10 Section 3.1.5.4 defines higher value prior point 'B' for Type II or III facilities. Since the model is intended to be used only below 500 ft, the increase value prior point B may not be considered.

Note 2: This model is primarily intended to simulate the characteristics of beams at low altitude and, therefore, the results derived from its use should not be relied on for heights above 150 m (500 ft).

2.1.6 Glide fault mode

The effect of a glideslope malfunction can be modelled as a ramp with a start time, a ramp rate, a glide monitoring threshold and a time-to-alert, as illustrated in Figure 1. As the effect of the glide fault may differ depending on start time and ramp rate, the combination that provides the most severe effect on aircraft deviation shall be considered.

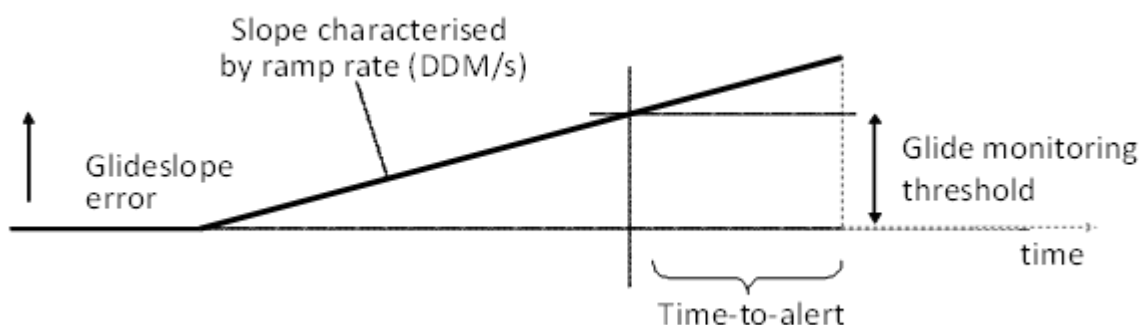


Figure 1: ILS glide malfunction transient

The glide malfunction transient depends on the facility performance type:

	Facility performance Type I	Facility performance Type II or III
Glide monitoring threshold (maximum shift of the mean glide path)	minus 0.075 θ (below nominal glide) plus 0.10 θ (above nominal glide)	
Time-to-alert	6 s	2 s

Table 1: Glideslope monitoring threshold and time-to-alert based on facility performance

2.2 Localiser

2.2.1 Course alignment accuracy

It should be assumed that at the threshold the standard deviation of the course line about the centre line is:

- 3.5 m (12 ft) for facility performance Type I; and
- 1.5 m (5 ft) for facility performance Type II or III.

Note: The Type II or III value is between those given in ICAO Annex 10, section 3.1.3.6 for CAT II and CAT III ILS which are assumed to be three-sigma values, 2.5 m (8.3 ft) and 1.0 m (3.3 ft) respectively.

2.2.2 Displacement sensitivity

It should be assumed that the nominal displacement sensitivity at the ILS reference datum (Point 'T') has the value of 0.00145 DDM/m.

2.2.3 Course structure

For the purposes of simulation, the noise spectrum of the ILS localisers may be represented by a white noise passed through a low-pass first-order filter of time constant 0.5 s.

The two-sigma level value of the filter output should be set according to the minimum class of the ILS considered as per the following table:

ILS Class	Point B	Point C	Point T	Point D	Point E
<u>I.A.x</u> <u>I.B.x</u>	0.015 DDM	Unknown Localiser signal performance			
<u>I.C.x</u>	0.015 DDM		Unknown Localiser signal performance		
<u>I.T.x</u>	0.005 DDM			Unknown Localiser signal performance	
<u>I.D.x</u>	0.005 DDM				Unknown Localiser signal performance
<u>I.E.x</u>	0.005 DDM				
<u>II.T.x</u>	0.005 DDM			Unknown Localiser signal performance	
<u>II.D.x</u>	0.005 DDM				Unknown Localiser signal performance
<u>II.E.x</u> or <u>III.E.x</u>	0.005 DDM				

Note: For CAT I ILS, a combination of high-frequency and low-frequency noise would be more representative of the actual noise experienced in-service.

- Facility performance Type I: for initial approach path, the output of the filter should be set to a two-sigma level of 0.005 DDM up to the ILS point (A, B, C, T, D or E) elected as the minimum required for the operation.

- If the minimum required for the operation is 'A' or 'B', for final approach path, the output of the filter should be set to a two-sigma level of 0.015 DDM up to point 'C'. After point 'C', the localiser signal performance is unknown and should not be used.
- If the minimum required for the operation is 'C', 'T', 'D' or 'E', after the elected point, the localiser signal performance is unknown and should not be used.
- Facility performance Type II or III: for the whole of the approach path, the output of the filter should be set to a two-sigma level of 0.005 DDM.

2.2.4 Localiser fault mode

The effect of a localiser malfunction can be modelled as a ramp with a start time, a ramp rate, a localiser monitoring threshold and a time-to-alert as illustrated in Figure 2. As the effect of the localiser fault may differ depending on start time and ramp rate, the combination that provides the most severe aircraft deviation shall be considered.

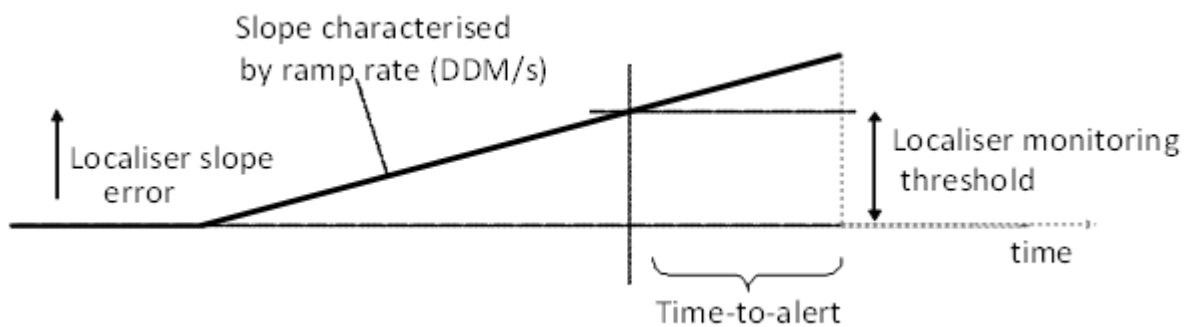


Figure 2: ILS localiser malfunction transient

The localiser malfunction transient depends on the facility performance type:

	Facility performance Type I	Facility performance Type II	Facility performance Type III
Localiser monitoring threshold (maximum shift of the mean course line from the runway centre line)	10.5 m (35 ft)	7.5 m (25 ft)	6 m (20 ft)
Time-to-alert	10 s	5 s	2 s

Table 2: Localiser monitoring threshold and time-to-alert based on facility performance

2.2.5 Integrity and continuity

The probability of radiating false ILS localiser or glide guidance can be assumed to be:

- for integrity level 1 ILS: no demonstrated values;
- for integrity level 2 ILS: 1.0×10^{-7} in any one landing; and

- for integrity levels 3 & 4 ILS: 0.5×10^{-9} in any one landing.

The probability of losing the ILS guidance localiser or glide can be assumed to be:

- for integrity level 1 ILS: no demonstrated values;
- for integrity level 2 ILS: 4.0×10^{-6} in any period of 15 s;
- for integrity level 3 ILS: 2.0×10^{-6} in any period of 15 s; and
- for integrity level 4 ILS: 2.0×10^{-6} in any period of 30 s (localiser) or 15 s (glide).

3 MLS signal-in-space model

The MLS models defined by the ICAO All Weather Operations Panel (AWOP) (reference AWOP/14-WP/659, dated 4/2/93) should be used for approach simulations. Alternatively, if certification of MLS is only sought for ILS lookalike operations, the applicant may use the ILS model defined in paragraph 2. This is based on the assertion that the MLS quality is equal to or better than that of the ILS and requires no further substantiation.

4 GLS signal-in-space model

What follows describes one acceptable model for the assumed characteristics of the GLS guidance errors. Applicants that use an alternate model are responsible for documenting the alternate model, its basis (including a mapping to ICAO Annex 10 characteristics and any additional assumptions made), and its validity.

The ground-based augmentation system (GBAS) performance model simulates the outputs of a fault-free GBAS airborne receiver when used in conjunction with a GBAS ground station categorised as either GAST C or GAST D.

The architecture of the GLS model is illustrated in Figure 3. The GLS model includes a navigation system error (NSE) generator which generates NSEs representative of a GBAS providing approach service type C or D as defined by the applicable requirements [¹, ², ³]. The position calculator adds NSEs to the true position of the GLS reference point (GRP). The deviation calculator computes the deviations of the GRP given the FAS data. A latency model is applied to each output of the GLS model.

The development of all components of the GLS model is documented in [⁴], [⁵] and [⁶]. The NSE generator and the NSE step generator are discussed below.

4.1 GBAS NSE generator

The GBAS NSE generator produces NSEs in the along-track, cross-track and vertical directions. The block diagram of the GBAS NSE generator is shown in Figure 4. The Gaussian white noise (GWN) generator produces three independent noise sequences with zero, mean, and unity variance. Each sequence is filtered by a second-order

¹ ICAO Standards and Recommended Practices (SARPs) for the Global Navigation Satellite System (GNSS). Annex 10 to the Chicago Convention, Vol 1.

² RTCA / DO-245, *Minimum Aviation System Performance Standards (MASPS) for the Local Area Augmentation System (LAAS)*.

³ RTCA / DO-253C, *Minimum Operational Performance Standards (MOPS) for GPS Local Area Augmentation System (LAAS) Airborne Equipment*.

⁴ ICAO Paper GNSSP-WP-8, *Validation of GBAS CAT I Accuracy: A GLS Model and Autoland Simulations for Boeing Airplanes*, presented at the ICAO Global Navigation Satellite Systems Panel, Working Group B Meeting, Seattle, WA, May 29 – June 9, 2000.

⁵ ICAO NSP Mar 2009 WGWP/30, *SARPS Support for Airworthiness Assessments GLS Signal Modeling*, presented by Tim Murphy, Bretigny, 17-27 March 2009.

⁶ ICAO NSP May 2010 WGWP/19, *SARPS Support for Airworthiness Assessments - More on GLS Signal Modeling*, Prepared by Tim Murphy.

Butterworth filter. The compensation gain which brings the root mean square (rms) of the filtered noise back to unity is obtained as:

$$G_x = \sqrt{\frac{2\sqrt{2}}{\Delta T \omega_n}} \quad [1]$$

The filter output is scaled by NSE scale factors K_{atrk} , K_{xtrk} , and K_{vert} . At the beginning of each run, the NSE generator filter should be initialised at a value sampled from a Gaussian distribution consistent with these scale factors.

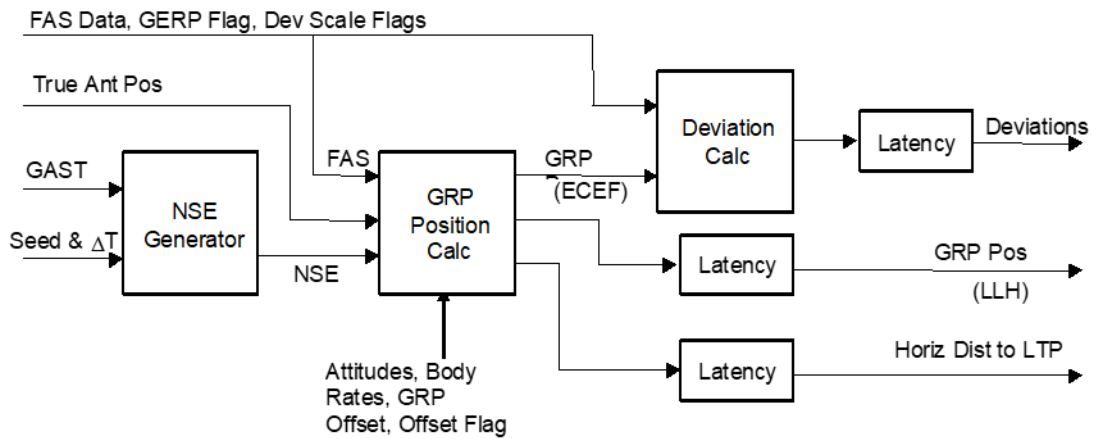


Figure 3: GBAS signal model

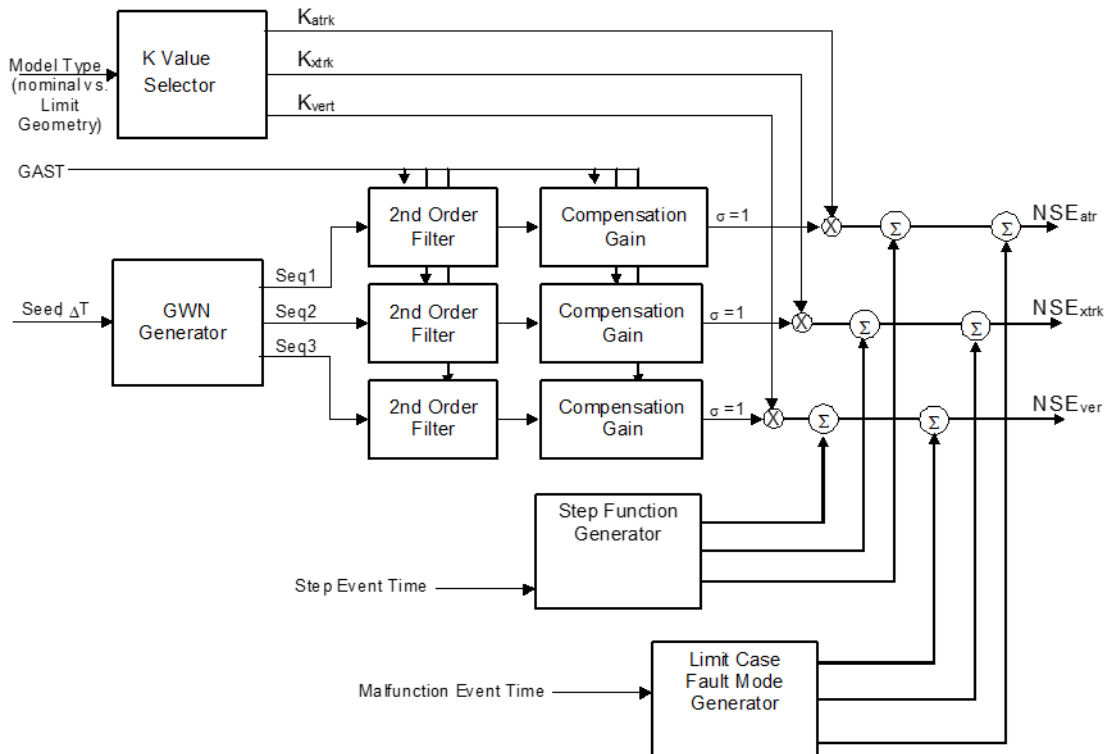


Figure 4: GLS NSE generator

4.2 Second-order filter of GBAS NSE generator

The second-order filter to be implemented in the GBAS NSE generator is characterised by:

$$H(s) = \frac{\omega_n^2}{s^2 + \sqrt{2}\omega_n s + \omega_n^2} \quad [2]$$

where ω_n is the natural frequency given by:

- for GAST C: $\omega_n = 0.01$ rad/s
- for GAST D: $\omega_n = 0.033$ rad/s

4.3 Noise scale factor

The model accounts for the variation in accuracy due to satellite geometry by setting the noise scale factor to a constant which is sampled from a distribution. For each run, the value of K_{vert} is determined by selecting a sample, x , from a uniform distribution between 0 and 1. The value of K_{vert} is then given by the following function of x :

$$K_{vert} = f(x) = a_1 + a_2 x - \frac{a_3}{x-1} \quad [3]$$

where the parameters of the function are dependent on the GBAS approach service type as given in Table 3:

Service type	a_1	a_2	a_3	K_{vert_max}
GAST C	0.4	0.2	0.006	10 / 5.762 = 1.736
GAST D	0.52	0.47	0.005	10 / 5.762 = 1.736

Table 3: GAST-dependent parameters for K_{vert}

If the random pick from a distribution between 0 and 1 results in $K_{vert} > K_{vert_max}$, then the value should be discarded and another sample should be selected from the uniform distribution set to the maximum value from the table¹. An alternative acceptable means for computing the NSE scale factors is given in Section 2 below.

For each run, the value of K_{xtrk} is determined by selecting a sample, x_1 , from a uniform distribution between 0 and 1. For each run, the value of K_{atrk} is determined by selecting a sample, x_2 , from a uniform distribution between 0 and 1. The cross-track and along-track scale factors are then computed by:

$$K_{xtrk} = f(x_1) = a_1 + a_2 x_1 - \frac{a_3}{x_1 - 1} \quad [4]$$

$$K_{atrk} = f(x_2) = a_1 + a_2 x_2 - \frac{a_3}{x_2 - 1} \quad [5]$$

where the parameters of the function are dependent on the GBAS approach service type as given in Table 4:

Service type	a_1	a_2	a_3	$K_{xtrk_max}, K_{atrk_max}$
--------------	-------	-------	-------	--------------------------------

¹ This corresponds to the case where VPL > 10 m and, therefore, the system is not available.

GAST C	0.2	0.1	0.003	40 / 5.762 = 6.942
GAST D	0.21	0.12	0.003	17 / 5.762 = 2.951

Table 4: GAST-dependent parameters for K_{xtrk}

If the random pick from a distribution between 0 and 1 results in $K_{xtrk} > K_{xtrk_max}$ or $K_{atrk} > K_{atrk_max}$, then the value should be discarded and another sample should be selected from the uniform distribution.

4.4 NSE step generator

The NSE step generator is illustrated in Figure 5. Step errors will occur when individual satellites are removed from the position solution (e.g. a satellite fails and stops transmitting or the user receiver stops tracking a satellite for any reason) or due to an individual satellite rising or setting. The step generator produces representative step errors in the vertical, along-track and cross-track directions. This is accomplished by scaling a unit step function by factors that are derived from representative statistical distributions. First, three random samples, one for each axis, are selected from a zero mean unit variance normal distribution. Then, these samples are multiplied by scale factors that are chosen to simulate the statistical variation in the size of an error that would result from normal variations in the relative geometry between the user and the satellites. Finally, the resultant constant factors are multiplied with a unit step function time sequence.

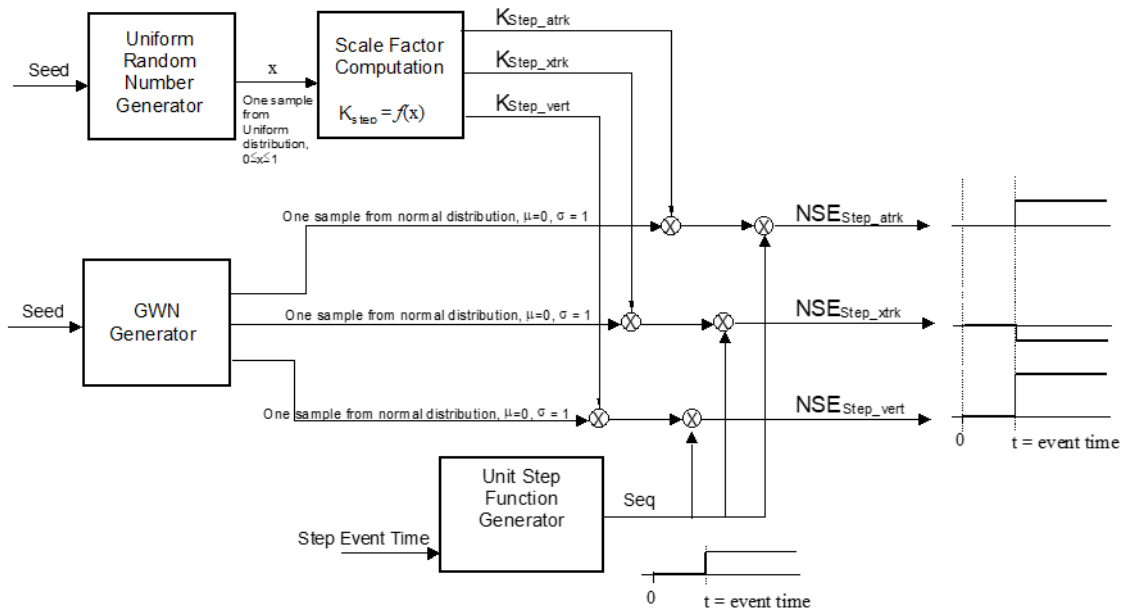


Figure 5: NSE step generator

4.5 NSE step generator scale factor computation

For each run, the value of σ_{step_vert} is determined by selecting a sample, x , from a uniform distribution between 0 and 1. The value of σ_{step_vert} is then given by the following function of x :

$$\sigma_{step_vert} = f(x) = b_1 + b_2x - \frac{b_3}{x - 1.01} \quad [6]$$

where the parameters of the function are dependent on the GBAS approach service type as given in Table 5:

Service type	b ₁	b ₂	b ₃	σ _{step_vert_max}
GAST C	0.4	0.8	0.07	FASVAL/2
GAST D	0.5	0.8	0.05	3.5

Table 5: GAST-dependent parameters for σ_{step_vert}

If the random pick from a distribution between 0 and 1 results in σ_{step_vert} > σ_{step_vert_max}, then the value should be discarded and another sample should be selected from the uniform distribution.

For each run, the value of σ_{step_xtrk} is determined by selecting a sample, x₁, from a uniform distribution between 0 and 1. The value of σ_{step_atrk} is determined by selecting a sample, x₂, from a uniform distribution between 0 and 1. The cross-track and along-track NSE step scale factors are then computed by:

$$\sigma_{step_xtrk} = f(x_1) = b_1 + b_2x_1 - \frac{b_3}{x_1 - 1} \quad [7]$$

$$\sigma_{step_atrk} = f(x_2) = b_1 + b_2x_2 - \frac{b_3}{x_2 - 1} \quad [8]$$

where the parameters of the function are dependent on the GBAS approach service type as given in Table 6:

Service type	b ₁	b ₂	b ₃	σ _{step_axtrk_max}
GAST C	0.32	0.32	0.05	20 m
GAST D	0.35	0.35	0.35	5.5 m

Table 6: GAST-dependent parameters for σ_{step_xtrk} or σ_{step_atrk}

If the random pick from a distribution between 0 and 1 results in σ_{step_xtrk} > σ_{step_xtrk_max}, or σ_{step_atrk} > σ_{step_axtrk_max}, then the value should be discarded and another sample should be selected from the uniform distribution.

4.6 Latency model

The latency of the GLS output should be delayed for a period of 400 ms.

4.7. Fault mode generator

The limit case or fault mode generator is illustrated in Figure 6.

The fault mode generator produces a ramp error with characteristics as illustrated in Figure 7 *Malfunction transient*. The effect of a malfunction is modelled as a ramp, with a start time, a ramp rate, and a total exposure time, T_{max}. The maximum value of the ramp depends on the ramp rate and the time-to-alert. The ramp is assumed to increase to the level of the maximum value and then to exceed that value for a period equal to the time-

to-detect and mitigate the failure. The erroneous satellite is isolated and the error returns to the nominal value (i.e. the fault error is set to zero). The model may alternatively produce step errors where the maximum change in error due to the step is specified rather than the ramp rate. (See reference [1] for more details regarding GLS fault modelling.)

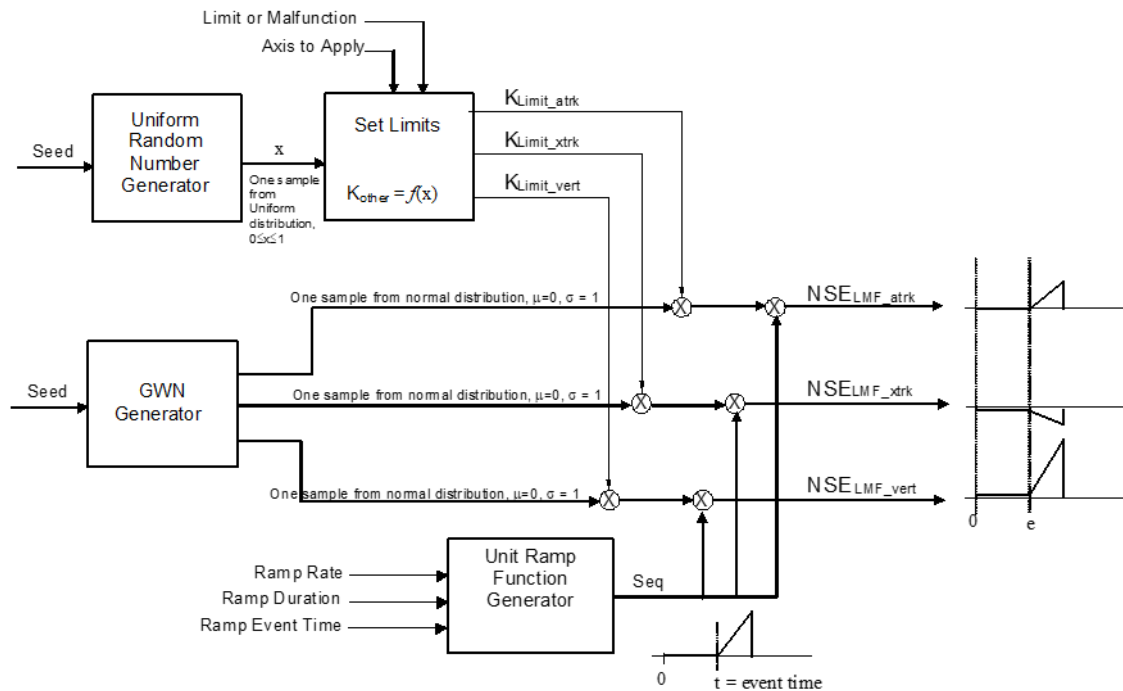


Figure 6: Limit malfunction generator

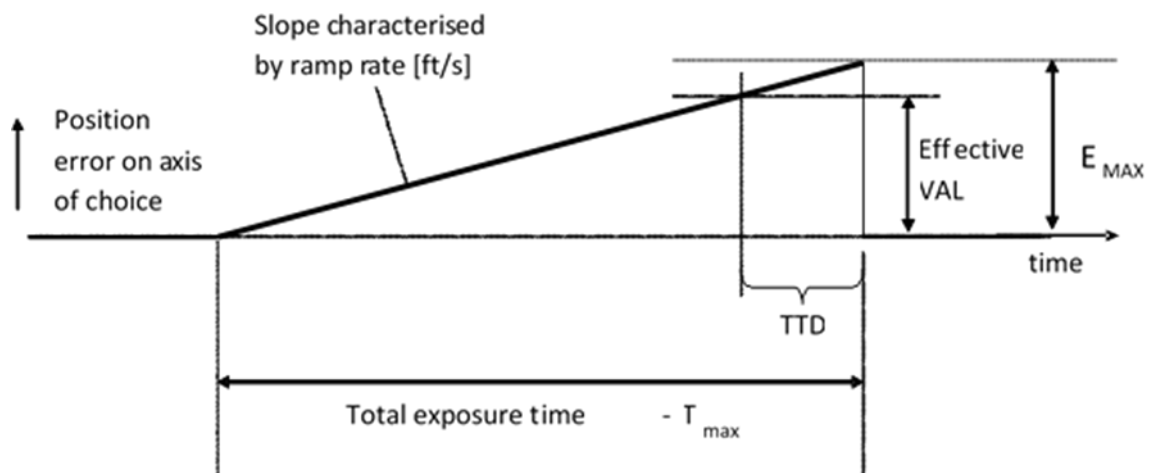


Figure 7: Malfunction transient

¹ T. Murphy, M Harris, C. Shively, L. Azoulai, M. Brenner, *Fault Modeling for GBAS Airworthiness Assessments*, Proceedings of the Institute of Navigation Global Navigation Satellite System Conference, 2010.

From Figure 7, it can be seen that for the ramp:

$$T_{MAX} = TTD + \frac{EffectiveVAL}{RR} \quad [9]$$

E_{MAX} and the effective vertical alert limit (VAL) depend on the type of malfunction. For satellite ranging sources, the effective VAL is a function of the maximum error allowable with probability greater than 1×10^{-9} by the P_{md} performance constraint with conditional probability (reference [1], Appendix B, Section 3.6.7.3.3.3) (i.e. 1.6 m), multiplied by the geometry screening limit.

$$E_{MAX} = 1.6 \cdot S_{vert_max} \quad [10]$$

where S_{vert_max} is the maximum vertical projection for any satellite allowed by geometry screening.

The aircraft manufacturer limits the size of E_{MAX} by specifying a maximum S_{vert} for satellites used in the position solution as described in reference [1].

For ground segment reference receiver failures, the effective VAL will depend on the geometry screening applied in the airborne equipment. If no additional geometry screening is applied other than $VPL < VAL$, the maximum effective VAL is 9.35 [m] (see Table 7 *Malfunction transient characteristics in the vertical direction*). If additional geometry screening is applied, a lower effective VAL may result. Reference [1] explains how to compute the effective VAL given additional geometry screening. Figure 8 *Maximum error and T_{BAC} as a function of alert limits* shows a plot of maximum vertical and lateral errors as a function of vertical and lateral alert limit screening. The calculations to produce the plot in Figure 8 are described in detail in reference [2].

For ionospheric anomalies, the maximum vertical error E_{max} is limited to a specified maximum allowable position error for the airborne installation for each axis, vertical ($MaxE_V$) and lateral ($MaxE_L$), as a part of the satellite geometry screening in the avionics [3]. These values along with broadcast information provided by the ground station determine the geometry screening.

Table 7 and Table 8 give the characteristics for transient errors in the vertical and horizontal directions respectively for each of the three major identified fault types.

Fault type	Service type	Ramp rates [m/s]	Effective VAL [m]	E_{max} [m]	Time-to-detect (TTD) [s]
Ranging source failures	GAST C	0–∞	10	Dependent	6
	GAST D	0–∞	$1.6 \times S_{vert}$	Dependent	2.5
	GAST C	0–4	n/a	N/A	n/a

¹ M. Harris, T. Murphy, *Geometry Screening for GBAS to Meet CAT III Integrity and Continuity Requirements*, Proceedings of the Institute of Navigation International Technical Meeting 2007.

² Neri, P., Macabiau, C., Azoulai, L., *Study of a GBAS Model for CAT II/III Simulations*, Proceedings of the 22nd International Technical Meeting of The Satellite Division of the Institute of Navigation (ION GNSS 2009), Savannah, GA, September 2009.

³ *Use of GNSS signals and their augmentations for civil Aviation Navigation during Approaches with Vertical Guidance and Precision Approaches* – PhD Thesis P. Neri – 2011.

Iono-anomaly	GAST D	0–4	n/a	$MaxE_V$	n/a
Single-reference receiver failure	GAST C	0–∞	10	Dependent	6
	GAST D	0–∞	9.35 [Note]	Dependent	2.5

Table 7: Malfunction transient characteristics in the vertical direction

Note: This value is an absolute worst case assuming no additional geometry screening is afforded based on reference receiver fault monitoring using TBAC. Smaller maximum values can be obtained by using additional geometry screening as per reference [1].

Fault type	Service type	Ramp rates [m/s]	Effective LAL [m]	E_{max} [m]	Time-to-detect (TTD) [s]
Ranging source failures	GAST C	0–∞	40	Dependent	6
	GAST D	0–∞	$1.6 \times S_{lat}$	Dependent	2.5
Iono-anomaly	GAST C	0–4	n/a	n/a	n/a
	GAST D	0–4	n/a	$MaxE_L$	n/a
Single-reference receiver failure	GAST C	0–∞	40	Dependent	6
	GAST D	0–∞	35.9 [Note]	Dependent	2.5

Table 8: Malfunction transient characteristics in the lateral direction

Note: This value is an absolute worst case assuming no additional geometry screening is afforded based on reference receiver fault monitoring using TBAC. Smaller maximum values can be obtained by using additional geometry screening as per reference [1].

¹ Neri, P., Macabiau, C., Azoulai, L., *Study of a GBAS Model for CAT II/III Simulations*, Proceedings of the 22nd International Technical Meeting of The Satellite Division of the Institute of Navigation (ION GNSS 2009), Savannah, GA, September 2009.

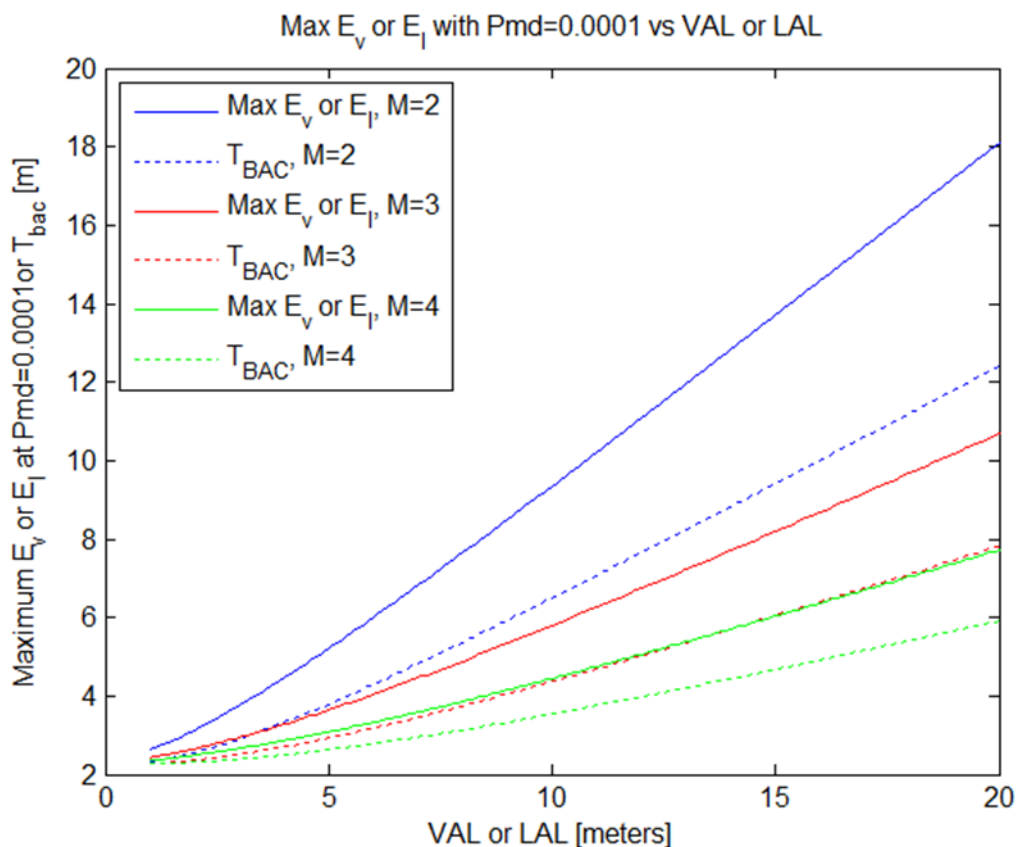


Figure 8: Maximum error and TBAC as a function of alert limits

4.8 Integrity and continuity

The probability of issuing false GLS guidance can be assumed to be:

- for GAST C: 2.0×10^{-7} in any one landing; and
- for GAST D: 1×10^{-9} in any period of 15 s.

The probability of losing GLS guidance can be assumed to be:

- for GAST C: 8.0×10^{-6} in any period of 15 s;
- for GAST D: 2×10^{-6} in any period of 15 s.

4.9 Alternative method for calculating and using the NSE model scale factors

4.9.1 Estimation of 10-point piecewise linear interpolation of GBAS NSE — GAST D

An alternative method to use the NSE model is to compute, before launching any run of the Monte Carlo autoland simulations, the distributions of the scale factors, K_{vert} and $K_{xtr} = K_{atrk}$. For these two last quantities, we conservatively allocate the worst horizontal sigma. These distributions have been computed using assumptions described in [1] and [2]. Then, for each run of the Monte Carlo simulations, we draw, from these two distributions, a sigma vertical = K_{vert} and a

¹ Neri, P., Macabiau, C., Azoulai, L., *Study of a GBAS Model for CAT II/III Simulations, Proceedings of the 22nd International Technical Meeting of The Satellite Division of the Institute of Navigation (ION GNSS 2009)*, Savannah, GA, September 2009.

² *Use of GNSS signals and their augmentations for civil Aviation Navigation during Approaches with Vertical Guidance and Precision Approaches* – PhD Thesis P. Neri – 2011.

worst horizontal sigma for K_{xtrk} and K_{atrk} , at the beginning of the approach, which are kept constant during the approach.

In order to facilitate the use of these distributions, the 10-point piecewise linear interpolation of K_{vert} and $K_{worst_horizontal_sigma}$ are provided on the histograms and using a dual entry table X-axis corresponding to sigma_vert or worst_horizontal_sigma in metres.

4.9.2 Sigma vertical

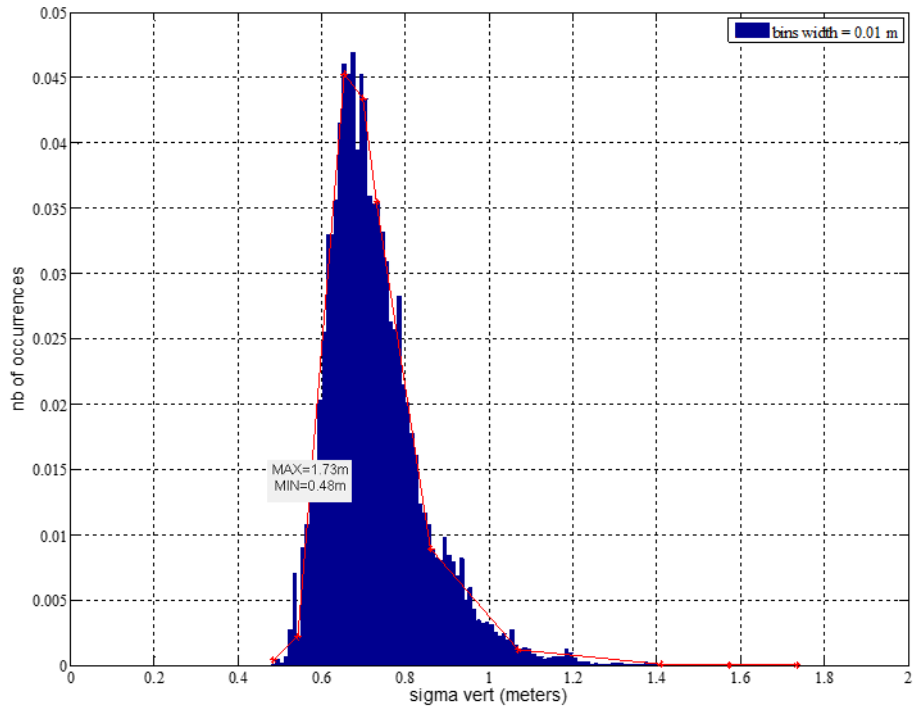


Figure 9: Sigma vertical samples

Sigma_vert	Number of occurrences
0.4850000000000000	0.000429191837945
0.543326533206011	0.002257116788039
0.655055242735278	0.045229563598357
0.699018742036146	0.043376936959747
0.731326218889690	0.035448466874264
0.860858976217526	0.008926572687034
1.070145122860493	0.001211926592757
1.409975954322260	0.000073333137778
1.573104102697827	0.000010035060959
1.7350000000000000	0.000008491205427

4.9.3 Worst horizontal sigma

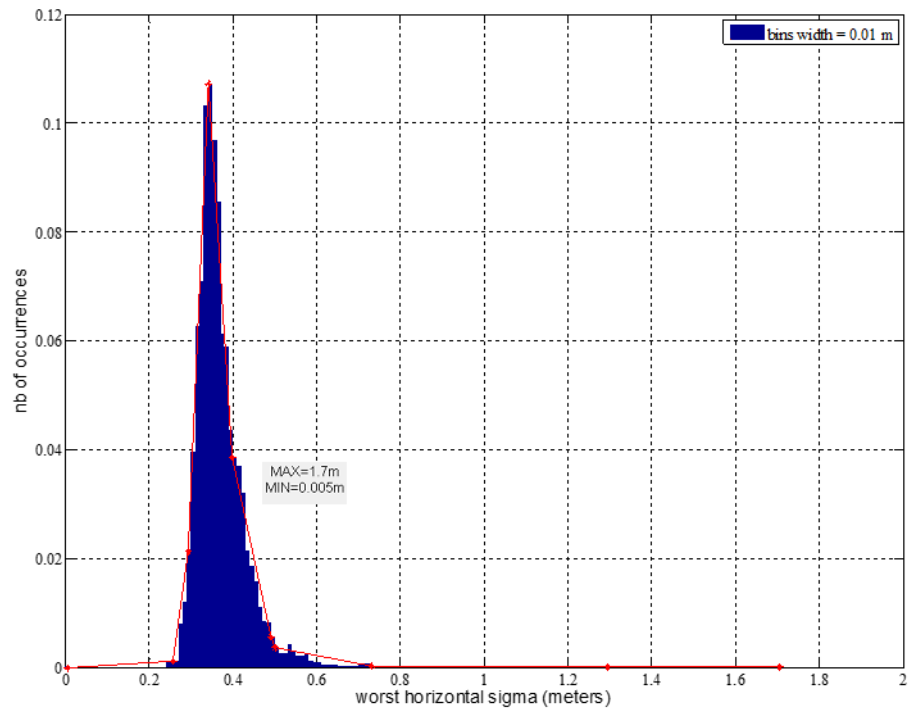


Figure 10: Worst horizontal sigma samples

worst_horizontal_sigma	Number of occurrences
0.0050000000000000	0
0.257665870406134	0.001235856353506
0.293780182441118	0.021311381766140
0.341769349550846	0.107172907188037
0.398519584681962	0.038574002399152
0.489966724012817	0.005669037514146
0.501954763905412	0.003652762189125
0.733255508608094	0.000223859052165
1.294724573608414	0.000000771927766
1.7050000000000000	0.000000771927766

As with the NSE noise scale factors, an alternative way of using the step function is to derive scale factors `sigma_step_vert` and `worst_sigma_step` horizontal to take into account steps induced by the loss of tracking of satellites by the receiver due to geometry (rise/set of satellites) or due to satellite failures. The distributions and the 10-point piecewise linear interpolations are provided below for these two cases for the two dimensions.

4.9.4 Rise/set — sigma step vertical

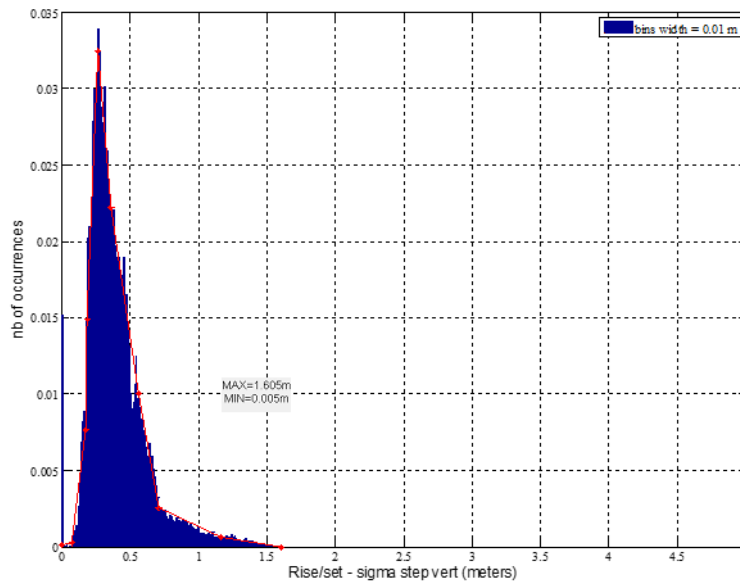


Figure 11: Rise/set sigma samples

Rise/Set Sigma_step_vert	Number of occurrences
0.005000000000000	0.000102160167567
0.072435248412769	0.000251314012215
0.173069321361968	0.007640899466239
0.183661728498818	0.014862132304962
0.266851710720950	0.032471159430220
0.360116883106780	0.022183880145120
0.560386526870370	0.010022935263488
0.707103250848933	0.002542678888367
1.168108921989317	0.000590218235325
1.605000000000000	0

4.9.5 Rise/set — worst sigma step horizontal

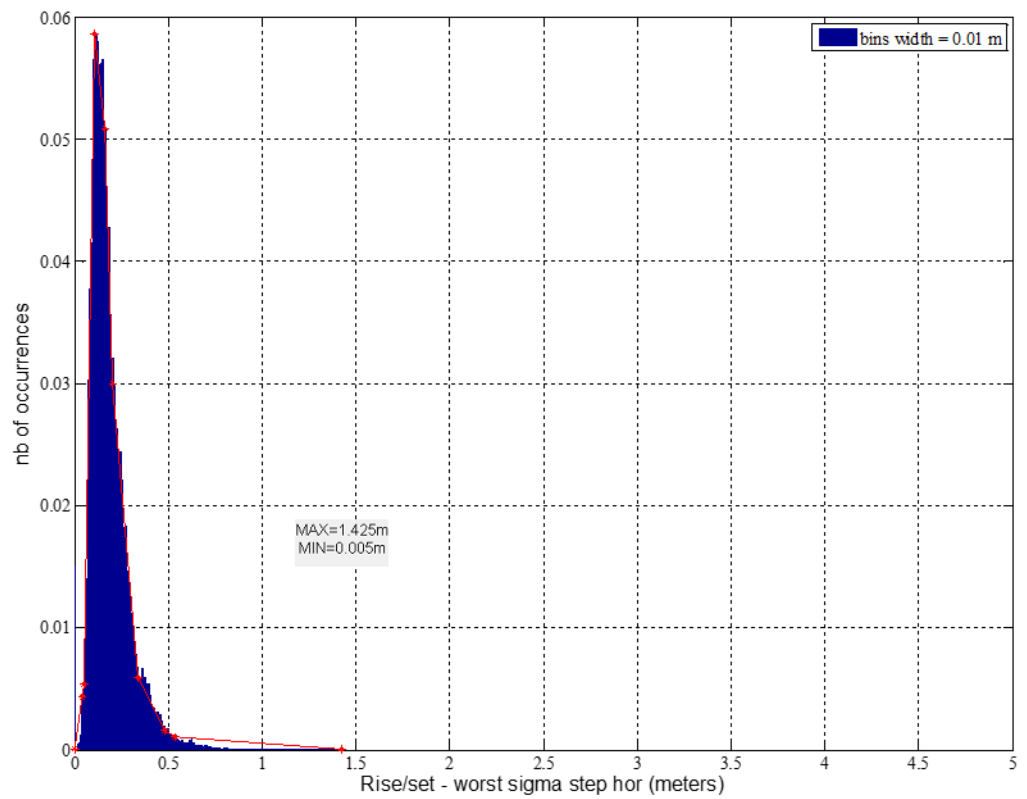


Figure 12: Rise/set worst sigma step horizontal samples

Rise/Set Worst Sigma_Step_Hor	Number of occurrences
0.0050000000000000	0.000002897188944
0.041875996448845	0.004326488398194
0.054920944044943	0.005392271389607
0.109250543156205	0.058667264538146
0.163832898257929	0.050878995869548
0.205763067528231	0.030017730600579
0.339826367851692	0.005884118967452
0.481495931510671	0.001622467406624
0.537593983881708	0.001038030498786
1.4250000000000000	0.00000090537154

4.9.6 Signal loss — sigma step vertical

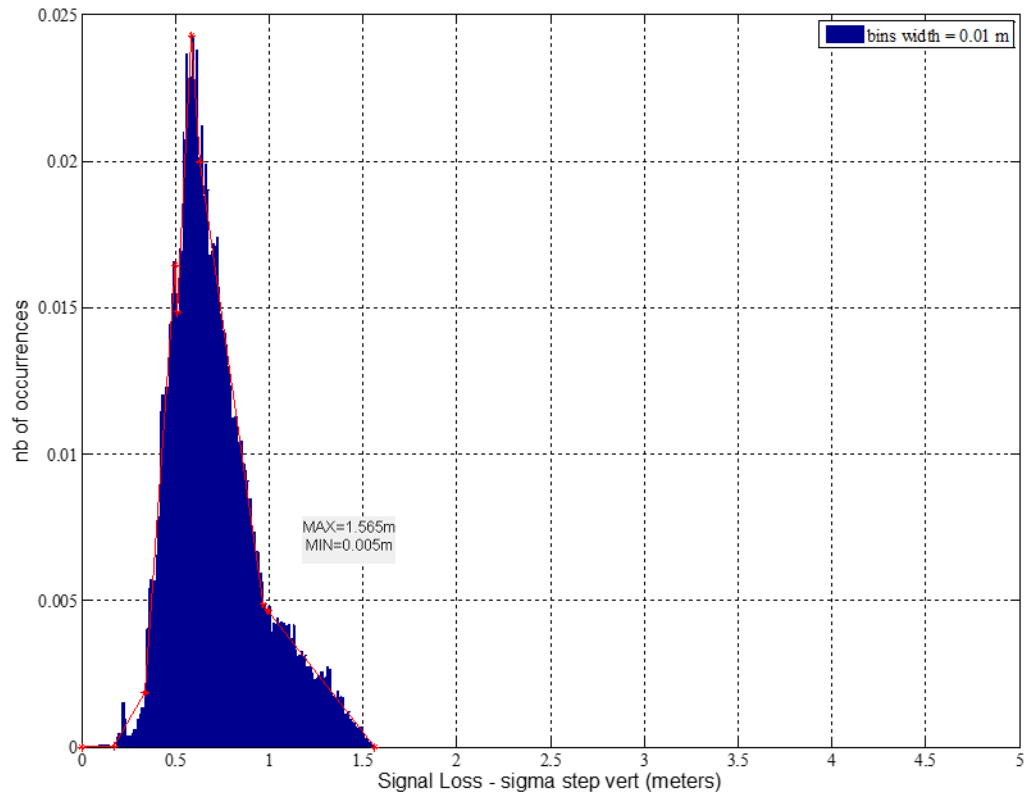


Figure 12: Rise/set worst sigma step horizontal samples

Signal loss Sigma_Step_Vert	Number of occurrences
0.0050000000000000	0
0.175788354389016	0.000006172962943
0.341225896607212	0.001849289916083
0.501345966346395	0.016428884464905
0.509272880272156	0.014817130740563
0.585415172749149	0.024277512141267
0.634728223925139	0.019985074857159
0.971964045257760	0.004855442265040
0.993665191757176	0.004618156897366
1.5650000000000000	0

4.9.7 Signal loss — worst sigma step horizontal

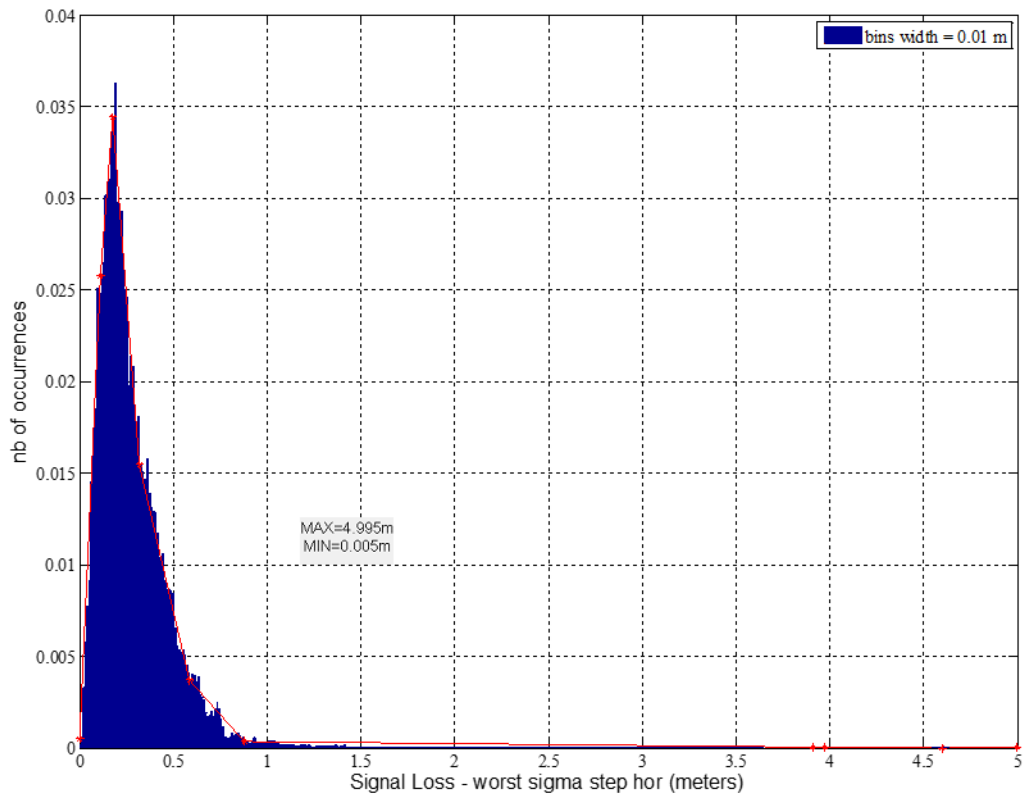


Figure 14: Signal loss worst sigma step horizontal sigma samples

Signal loss worst Sigma_Step_Hor	Number of occurrences
0.005000000000000	0.000476007789371
0.115610839554299	0.025790440689983
0.180148721789614	0.034439075056633
0.320833114781513	0.015472307517217
0.586810140697307	0.003675003851236
0.880744610706960	0.000358424380494
3.908283843494504	0.00000000123437
3.975118428756177	0.00000000123437
4.601736622281720	0
4.995000000000000	0.00000016910875

Wind models for approach and landing simulation

1 Purpose

The purpose of this AMC is to provide acceptable wind, turbulence and wind shear models that can be used to demonstrate in simulation system performance in approach and landing.

2.1 Wind model Number 1

2.1.1 Mean wind

It may be assumed that the cumulative probability of reported mean wind speed at landing, and the crosswind component of that wind are as shown in Figure 15 *Cumulative probability of reported mean wind and headwind, tailwind and crosswind components when landing*. Normally, the mean wind which is reported to the pilot is measured at a height which may be between 6 m (20 ft) and 10 m (33 ft) above the runway. The models of wind shear and turbulence given in paragraphs 3.2 and 3.3 assume this reference height is used.

2.1.2 Wind shear

2.1.2.1 Normal wind shear

Wind shear should be included in each simulated approach and landing unless its effect can be accounted for separately. The magnitude of the shear should be defined by the expression:

$$u = 0.43 U \log_{10}(z) + 0.57 U \quad (1)$$

where 'u' is the mean wind speed at height z metres ($z \geq 1$ m) and 'U' is the mean wind speed at 10 m (33 ft).

2.1.2.2 Abnormal wind shear

The effect of wind shears exceeding those of paragraph 2.1.2.1 should be investigated using known severe wind shear data.

2.1.3 Turbulence

2.1.3.1 Horizontal component of turbulence

It may be assumed that the longitudinal component (in the direction of mean wind) and lateral component of turbulence may each be represented by a Gaussian process having a spectrum of the form:

$$\Phi(\Omega) = \frac{2\sigma^2}{\pi} \frac{L}{1 + \Omega^2 L^2} \quad (2)$$

where:

$\Phi(\Omega)$ = a spectral density [[metres/s]² per [radian/metre]]

σ = root mean square (rms) turbulence intensity = 0.15 U

L = scale length = 183 m (600 ft)

Ω = frequency [radians/metre]

2.1.3.2 Vertical component of turbulence

It may be assumed that the vertical component of turbulence has a spectrum of the form defined by equation (2) in paragraph 2.1.3.1.

The following values have been in use:

σ = 2.8 km/h (1.5 kt) with L = 9.2 m (30 ft)

or alternatively

σ = 0.09 U with L = 4.6 m (15 ft) when $z < 9.2$ m (30 ft)

and $L = 0.5 z$ when $9.2 < z < 305 \text{ m}$ ($30 < z < 1\,000 \text{ ft}$)

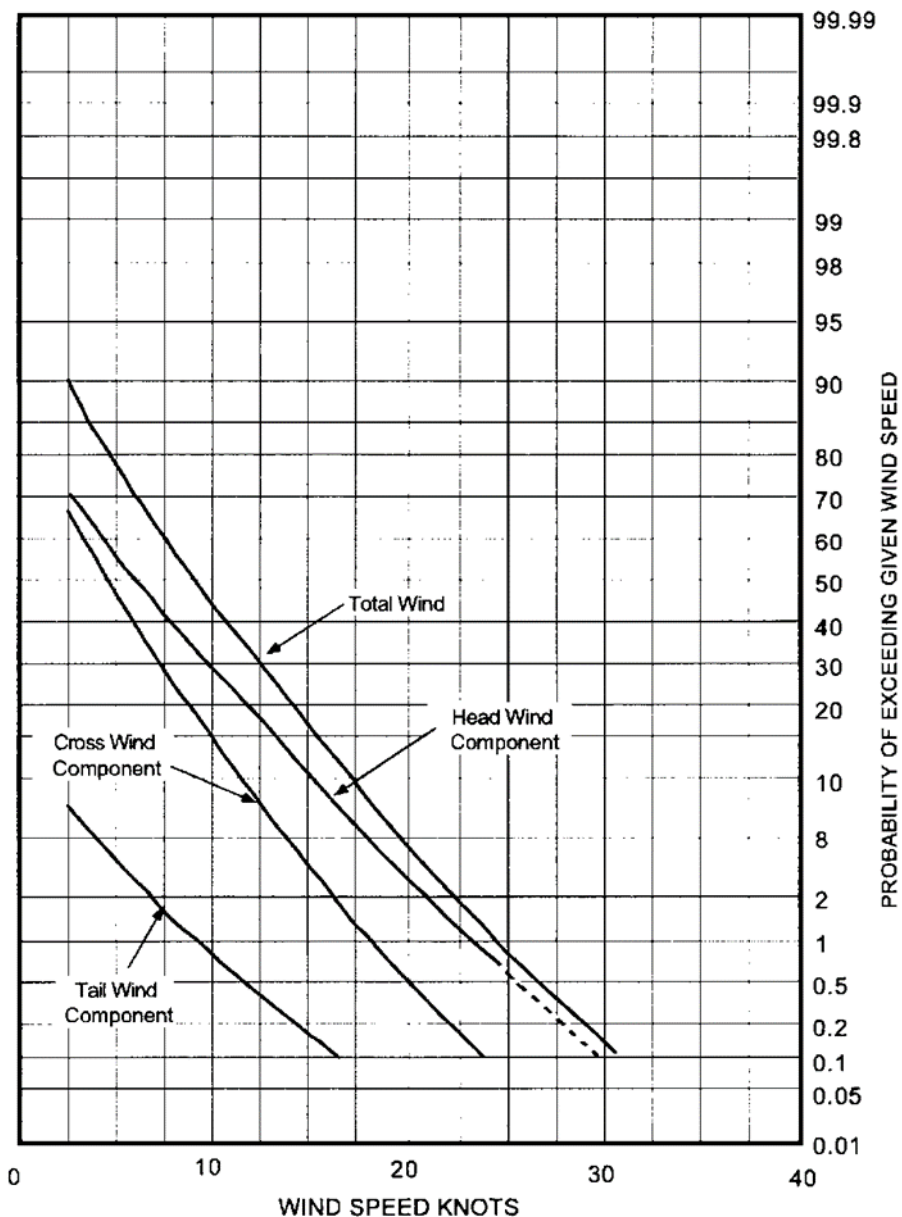


Figure 15: Cumulative probability of reported mean wind and headwind, tailwind and crosswind components when landing

Note: This data is based on worldwide in-service operations of UK airlines (sample size: about 2 000).

These cumulative probabilities could be approximated by a Gaussian distribution with characteristics as below:

Wind in runway axis	Mean	Standard deviation
Crosswind	0 kt	7 kt
Longitudinal wind	7.5 kt head	7.3 kt

2.2 Wind model Number 2

2.2.1 Mean wind

The mean wind is the steady-state wind measured at landing. This mean wind is composed of a **downwind** component (headwind and tailwind) and a **crosswind** component. The cumulative probability distributions for these components are provided in Figure 16 *Headwind–tailwind description* (downwind) and in Figure 17 *Crosswind description* (crosswind).

Alternatively, the mean wind can be defined with magnitude and direction. The cumulative probability for the mean wind magnitude is provided in Figure 8 *Annual per cent probability of mean wind speed equalling or exceeding given values*, and the histogram of the mean wind direction is provided in Figure 9 *Histogram of the mean wind direction relative to runway heading*. The mean wind is measured at a reference altitude of 20 ft above ground level (AGL). The models of the wind shear and turbulence given in Sections 2.2.2 and 2.2.3 assume this reference altitude of 20 ft AGL is used.

2.2.2 Wind shear

When stable and steady horizontal wind blows over the ground surface, terrain irregularities and obstacles such as trees and buildings alter the steady wind near the surface and a boundary layer will cause a form of wind shear. The magnitude of this shear is defined by the following expression:

$$V_{wref} = 0.204 * V_{20} * \ln((h + 0.15)/0.15)$$

where V_{wref} is the mean wind speed measured at h ft and V_{20} is the mean wind speed (ft/s) at 20 ft AGL.

Note: This expression does not represent the violent wind shears created by unstable air mass conditions.

2.2.3 Turbulence

2.2.3.1 Turbulence spectra

The turbulence spectra are of the Von Karman form.

The vertical component of turbulence (perpendicular to the earth's surface) has a spectrum of the form defined by the following equation:

$$\Phi_w(\Omega) = \frac{\sigma_w^2 L_w}{2\pi} \frac{1 + \frac{8}{3} (1.339 L_w \Omega)^2}{(1 + (1.339 L_w \Omega)^2)^{11/6}}$$

The horizontal component of turbulence (in the direction of the mean horizontal wind) has a spectrum of the form defined by the following equation:

$$\Phi_u(\Omega) = \frac{\sigma_u^2 L_u}{\pi} \frac{1}{(1 + (1.339 L_u \Omega)^2)^{5/6}}$$

The lateral component of turbulence (perpendicular to the mean horizontal wind) has a spectrum of the form defined by the following equation:

$$\Phi_v(\Omega) = \frac{\sigma_v^2 L_v}{2\pi} \frac{1 + \frac{8}{3} (1 \cdot 339 L_v \Omega)^2}{(1 + (1 \cdot 339 L_v \Omega)^2)^{11/6}}$$

where:

- Ω = spectral density [ft/s]²
- σ = root mean square (rms) turbulence intensity [ft/s]
- L = scale length
- Ω = spatial frequency [radians/ft] = ω/V_T
- ω = temporal frequency [radians/s]
- V_T = aircraft speed [ft/s]

2.2.3.2 Turbulence intensities and scale lengths

At or above altitude h_1 , turbulence is considered to be isotropic, i.e. the statistical properties of the turbulence components are independent. This means that one can consider the turbulence components to have equal intensities.

Below h_1 , turbulence varies with altitude. In this case, intensity and scale length are expressed as functions of V_{20} and altitude.

Turbulence intensities

$$\sigma W = 0.1061 V_{20}$$

where V_{20} is expressed in kt

where σW is expressed in ft/s

For $h < h_1$,

$$\frac{\sigma_w}{\left(0.177 + \frac{0.823h}{h_1}\right)^{0.4}}$$

$$\sigma U = \sigma V =$$

For $h \geq h_1$,

$$\sigma U = \sigma V = \sigma W$$

where $h_1 = 1\,000$ ft

Scale lengths

For $h < h_1$,

$$L_W = h$$

$$L_U = L_V = L_W \left(\frac{\sigma_u}{\sigma_w}\right)^3 = \frac{h}{\left(0.177 + \frac{0.823h}{h_1}\right)^{1.2}}$$

For $h \geq h_1$

$$L_W = L_U = L_V = h_1$$

where $h_1 = 1\,000$ ft

2.2.3.3 Fixed turbulence intensities for pilot-in-the-loop simulations

The following fixed levels of turbulence intensity [ft/s] have been found to be representative when used to programme low-altitude simulations with the pilot in the loop.

Turbulence intensity	Light	Medium	Heavy
$\sigma_z = \sigma_v$	2.5	5.0	8.3
σ_w	1.25	2.5	4.17

Turbulence scale lengths vary with altitude according to the equations of paragraph 2.2.3.2.

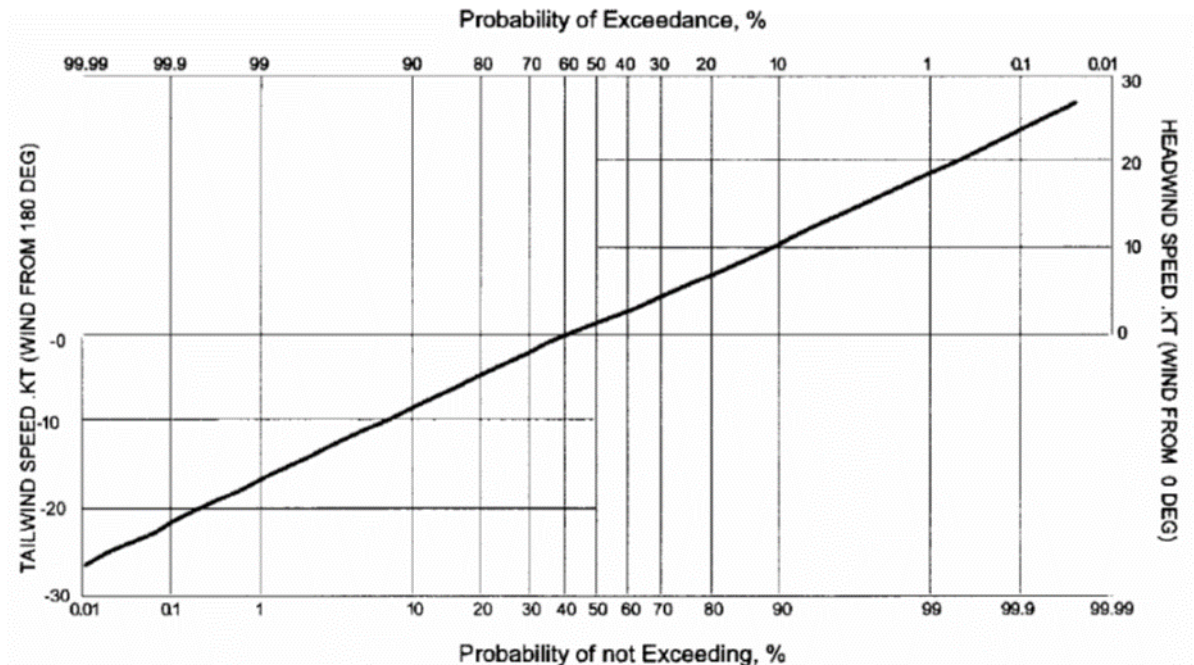


Figure 16: Headwind-tailwind description

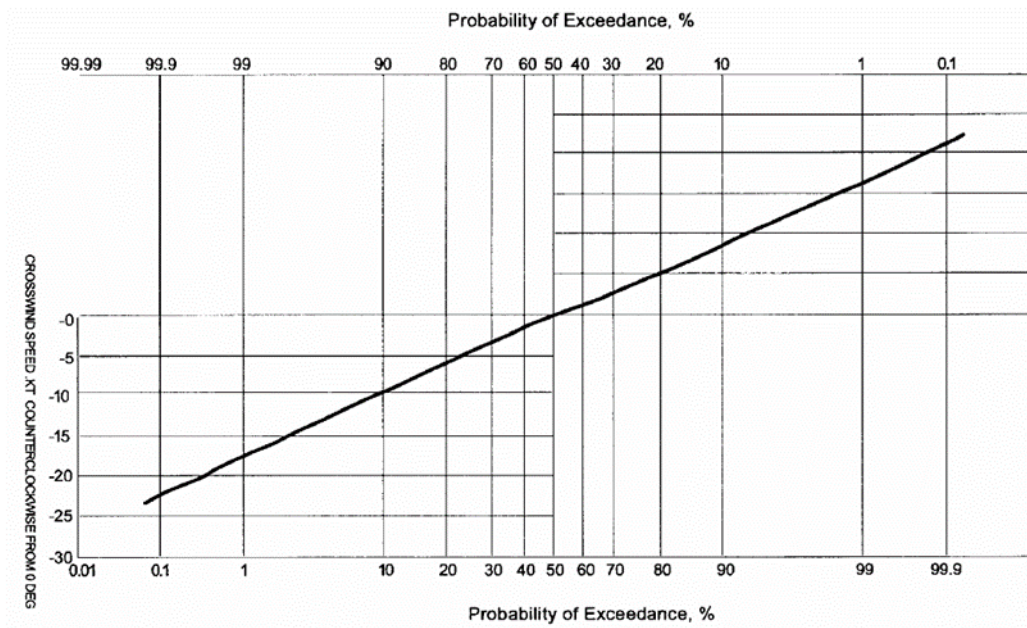


Figure 17: Crosswind description

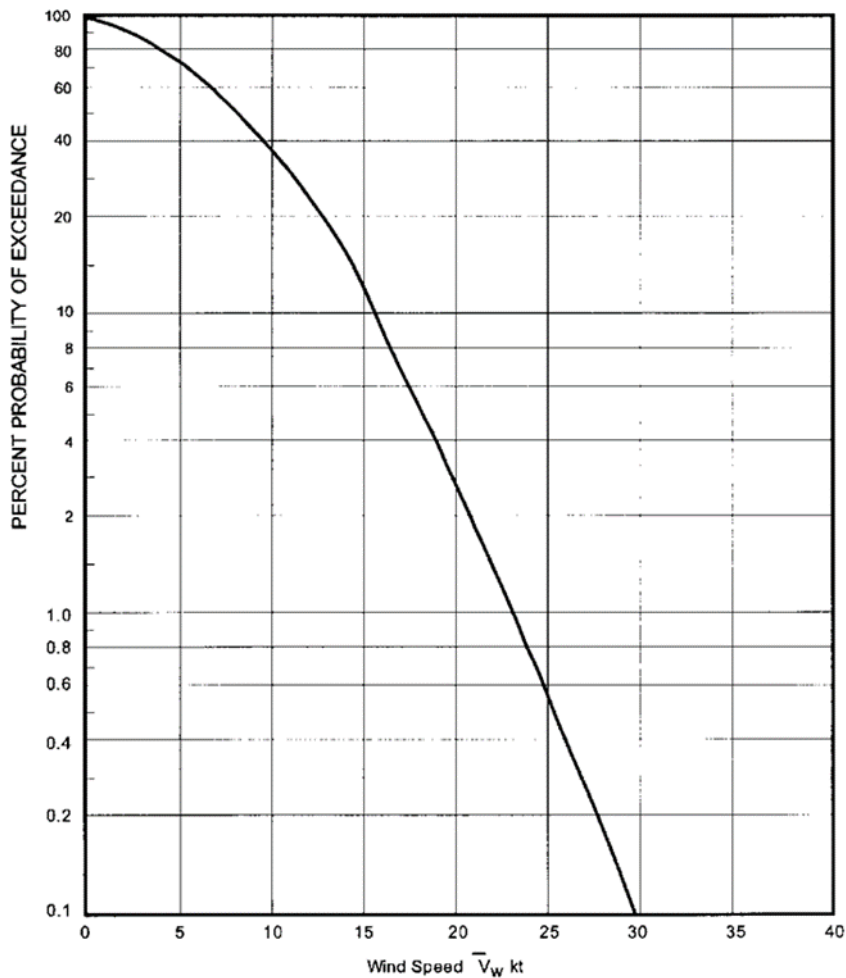


Figure 18: Annual percent probability of mean wind speed equalling or exceeding given values

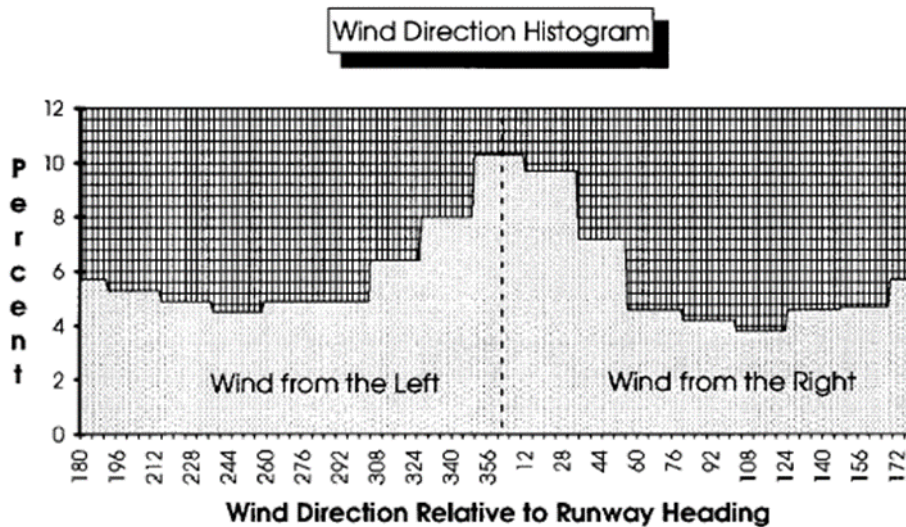


Figure 19: Histogram of the mean wind direction relative to runway heading

2.3. Wind model Number 3

This wind model is a derivative of wind model Number 2. The changes are a result of experience from pilot-in-the-loop simulator tests for Category III HUD certification, where the wind shear and turbulence intensities were found to be more representative.

The changes to wind model Number 2 are as follows:

(a) Paragraph 2.2.2

Change $V_{wref} = 0.204 \times V_{20} \log n [(h+0.15) \div 0.15]$

to $V_{wref} = 0.165 \times V_{20} \log n [(h + 0.046) \div 0.046]$

(b) Paragraph 2.2.3.2

Change $\sigma_w = 0.1061 V_{20}$

to $\sigma_w = 0.0625 V_{20}$

where V_{20} is expressed in kt

where σ_w is expressed in ft/s

(c) Paragraph 2.2.3.2

Change

Lu to Lu = 600 ft

[Issue: AWO/2]

SUBPART B — APPROACH AND LANDING

SECTION 1 — AIRWORTHINESS CERTIFICATION OF AEROPLANES FOR OPERATIONS WITH DECISION ALTITUDES/HEIGHTS (DAs/Hs) NOT LOWER THAN 60 M (200 FT) — CATEGORY I (CAT I) OPERATIONS

GENERAL

CS AWO.B.CATI.101 Applicability

An aeroplane with a basic airworthiness approval for instrument flight rules (IFR) operations shall be eligible to perform xLS approaches down to a decision height (DH) of 60 m (200 ft), provided that the necessary xLS receiver(s) and instruments and their installation have been approved in accordance with the relevant specifications of CS-23 and CS-25.

[Issue: AWO/2]

AMC AWO.B.CATI.101 Applicability

Book 2 of CS-25 or CS-ACNS (Airborne Communications, Navigation and Surveillance) provides the acceptable means of compliance for an aeroplane to be eligible to perform xLS approaches down to a DH of 60 m (200 ft).

[Issue: AWO/2]

CS AWO.B.CATI.102 Terminology

xLS (landing system)

An xLS (landing system) is a navigation means (facilities external to the aircraft) that provides to the crew and the aircraft systems deviations from ideal approach and landing lateral and vertical trajectories. The combination of navigation means, crew and aircraft system has been demonstrated to provide the required minimum performance for the intended decision altitude/height (DA/H) or no decision height (DH). If required, the xLS can provide relevant distance information. The xLS can also apply to low-visibility take-offs.

[Issue: AWO/2]

AMC AWO.B.CATI.102 Terminology

xLS (landing system)

Previously, landing systems were constrained to instrument landing systems (ILSs); however, the term ‘xLS’ now includes identified means such as microwave landing system (MLS), ground-based augmented (GBAS) landing system, space-based augmented landing system (SBAS/LPV) or any other system (or combination of systems).

[Issue: AWO/2]

SECTION 2 — AIRWORTHINESS CERTIFICATION OF AEROPLANES FOR OPERATIONS WITH DECISION HEIGHTS (DHs) BELOW 60 M (200 FT) AND DOWN TO 45 M (150 FT) — SPECIAL AUTHORISATION CATEGORY I (SA CAT I) OPERATIONS

GENERAL

CS AWO.B.SACATI.101 Applicability

This section is applicable to aeroplanes for which certification is sought to allow the performance of approaches with DHs below 60 m (200 ft) down to 45 m (150 ft) — Special Authorisation Category I (SA CAT I) operations, using a precision approach system as defined in ICAO Annex 10, which has outputs indicating the magnitude and sense of deviation from a preset azimuth and elevation angle giving equivalent operational characteristics to those of a conventional ILS. (See AMC AWO.B.SACATI.101)

[Issue: AWO/2]

AMC AWO.B.SACATI.101(a) Applicability and terminology

An aeroplane with a basic airworthiness approval for IFR operations is eligible to perform xLS precision approaches down to a DH of 60 m (200 ft), assuming that the necessary navigation receiver(s) and instruments and their installation have been approved. The purpose of this Section is to specify the supplementary airworthiness requirements for the performance of approaches on authorised Category I xLS runways with DHs below 60 m (200 ft) down to 45 m (150 ft). Authorised runway criteria include xLS categories that are suitable for the intended operation and the pre-threshold terrain is compatible with the use of a radio altimeter (or other device capable of providing equivalent performance and integrity level) at a DH of 45 m (150 ft).

Terminology

- (a) The term 'approach system' refers only to the airborne system. It includes the equipment listed in AMC AWO.B.SACATI.111, and all related sensors, instruments and power supplies.
- (b) 'Decision height (DH)' is the wheel height above the runway elevation by which a go-around must be initiated unless adequate visual reference has been established and the aircraft position and approach path have been visually assessed as satisfactory to continue the approach and landing safely. Where 'DH' is used in this Section, it means the minimum DH at which compliance with the requirements of this Section has been demonstrated.
- (c) A 'go-around' is the transition from an approach to a stabilised climb.

- (d) 'Failure condition' and terms describing the probabilities and effects of failure conditions are defined in AMC 25.1309.
- (e) The terms 'localiser', 'glide path' and 'beam' have been retained for use with either ILS or an equivalent system.
- (f) 'ILS or equivalent system' is understood as ILS, MLS and GLS. It may include other xLS systems if they demonstrate the same global level of precision, integrity and continuity as an ILS CAT II operation with a DH of 150 ft.
- (g) 'HUD or equivalent display' is understood as HUD or head-worn display (HWD).

Guidance on controls, indicators and alerts that are associated with installations that incorporate more than one type of approach system can be found in AMC AWO.A.ALS.110.

System concept

The principle of SA CAT I operations is to provide a lower DH than the standard CAT I operation by mitigating xLS performance category characteristics that may be not suitable for CAT II operations and reduced runway lighting by additional approach system requirements. These requirements intend to compensate for lower accuracy and integrity and longer time-to-alert than those required for CAT II operations, and provide assistance to acquire the visual cues required to complete the landing with reduced lighting.

Systems that have shown or can demonstrate compliance with CS-AWO Subpart B Section 3 (CAT II) are considered to be eligible for SA CAT I operations if it has been demonstrated that they can be safely used in a CAT I environment. Other systems can be considered if suitable justification and mitigation means can be provided.

Due to the fact that low-visibility procedures (LVPs) are required to be in place for SA CAT I operations, the following non-exhaustive list of approach systems may be considered for SA CAT I operations:

- (a) HUD (or equivalent display) with flight guidance which is approved for xLS manual operation down to 36 m (120 ft).
- (b) SVGS with flight guidance based on xLS displayed on the primary flight display or HUD (or equivalent display), and high-precision position assurance monitoring.
- (c) Automatic approach system coupled down to 36 m (120 ft) with a HUD (or equivalent display) to ease manual transition at the DH, thanks to the control of the flight path vector (FPV) in the visual segment.
- (d) Automatic landing system alone, provided it is demonstrated that failures linked to Category I xLS performance can be recognised by pilot in low-visibility conditions.
- (e) Automatic landing system with a HUD (or equivalent display) to monitor the autoland path along the Category I xLS performance before and after the DH.

[Issue: AWO/2]

CS AWO.B.SACATI.102 Safety level

The safety level for precision approaches with DHs below 60 m (200 ft) down to 45 m (150 ft) shall not be less than the average safety level achieved in precision approaches with DHs of 60 m (200 ft) and above.

[Issue: AWO/2]

AMC AWO.B.SACATI.102 Safety level

The safety level, achieved by complying with the performance and failure requirements of this Section, should be equivalent to or better than the safety level for operations with DHs of 60 m (200 ft) or above. Hence, in showing compliance with the performance and failure requirements, the probabilities of performance or failure effects should not be factored by the proportion of approaches, which are made with a DH below 60 m (200 ft).

[Issue: AWO/2]

CS AWO.B.SACATI.103 Go-around rate

(See AMC AWO.B.SACATI.103)

The proportion of approaches that terminate in a go-around below 150 m (500 ft) due to the approach system performance or reliability shall not be greater than 5 %, taking into account go-arounds that are caused by on-board navigation receivers.

[Issue: AWO/2]

AMC AWO.B.SACATI.103 Go-around rate

Based on the assumption that system failures will not significantly reduce the success rate, compliance may be demonstrated by means of the continuous method of AMC AWO.B.CATII.113 using the following interpretation:

- (a) A localiser excess-deviation alert will occur between 90 m (300 ft) and 45 m (150 ft) in no more than 5 % of the approaches.
- (b) A glide path excess-deviation alert will occur between 90 m (300 ft) and 45 m (150 ft) in no more than 5 % of the approaches.

[Issue: AWO/2]

CS AWO.B.SACATI.104 Flight crew workload

The workload associated with the use of the approach system shall be considered in showing compliance with CS 25.1523, AMC 25.1523, and CS-25 Appendix D.

[Issue: AWO/2]

CS AWO.B.SACATI.105 Control of flight path

The approach system shall:

- (a) either provide information of sufficient quality to the flight crew to permit the manual control of the aeroplane along the flight path within the prescribed limits;
- (b) or automatically control the aeroplane along the flight path within the prescribed limits.

[Issue: AWO/2]

CS AWO.B.SACATI.106 Control of speed

Automatic throttle/thrust control shall be provided unless it is demonstrated in flight that speed can be controlled manually by the flight crew within the acceptable limits and without excessive workload. When making an approach using an automatic throttle/thrust system, the approach speed may be selected manually or automatically.

[Issue: AWO/2]

CS AWO.B.SACATI.107 Manual control

- (a) In the absence of a failure, the approach down to the DH shall not require a change in the means of control (e.g. a change from automatic to manual control).
- (b) The use of a manual mode, or the transition from an automatic mode to manual control, shall not require exceptional piloting skill, alertness or strength.

[Issue: AWO/2]

AMC AWO.B.SACATI.107 Manual control

A change in the means of control is considered a change from automatic to manual control.

[Issue: AWO/2]

CS AWO.B.SACATI.108 Oscillations and deviations

The approach system shall not cause sustained nuisance oscillations or undue attitude changes or control activity as a result of configuration or power changes or any other disturbance to be expected in normal operations.

[Issue: AWO/2]

CS AWO.B.SACATI.109 Decision height (DH) recognition

The recognition of the decision height (DH) shall be made by means of height measured by a radio altimeter or another system that provides height above terrain with equivalent performance, accuracy, integrity, availability, level of independence, and dissimilarity.

[Issue: AWO/2]

CS AWO.B.SACATI.110 Go-arounds

Go-arounds shall not require exceptional piloting skill, alertness or strength to maintain the desired flight path.

[Issue: AWO/2]

EQUIPMENT

CS AWO.B.SACATI.111 Installed equipment

(See AMC AWO.B.SACATI.111)

The approach guidance system shall include the following:

- (a) two separate navigation receivers or demonstrated equivalent devices with a display of the selected deviation information at each pilot's station;
- (b) a flight guidance system (or an alternative that provides for equivalent performance and safety) with displays at each pilot's station;
- (c) a radio altimeter (or other device capable of providing for equivalent performance and integrity level) with displays at each pilot's station of:
 - (1) height above terrain; and
 - (2) the selected decision height (DH);
- (d) clear visual indication at each pilot's station (e.g. an alert light) when the aircraft reaches the preselected DH appropriate to the approach;
- (e) automatic or flight director go-around system or any other attitude indicators that can achieve the required performance, accuracy and function;
- (f) audible warnings of automatic pilot failure (for automatic approach) (refer to CS 25.1329);
- (g) an automatic throttle/thrust system, where necessary (see CS AWO.B.CATII.106);
- (h) an appropriate alerting system; and
- (i) an alert of excess deviation from the required approach path, at each pilot's station.

[Issue: AWO/2]

AMC AWO.B.SACATI.111 Installed equipment

(a) xLS airborne equipment standards

Acceptable standards for airborne receiver equipment include the following:

- (1) Localiser receivers that comply with the minimum performance standards of EUROCAE ED-46B or later revision, or an equivalent standard, and glide path receivers that comply with the minimum performance standards of EUROCAE ED-47A or RTCA DO-192 or later revision.

Note: The aforementioned localiser specifications are in accordance with the FM Broadcast Interference Immunity requirements of ICAO Annex 10, Volume I, Chapter 3, and paragraph 3.1.4.

- (2) MLS receivers that comply with the minimum performance standards of EUROCAE ED-36A or later revision, or an equivalent standard, and DME/P or DME/N transceivers that comply with the minimum performance standards of EUROCAE ED-54 or RTCA DO-189.
- (3) Combined ILS/MLS receivers that comply with the minimum performance standards of EUROCAE ED-74 or equivalent standard.
- (4) Combined ILS/MLS/GPS receivers that comply with the minimum performance standards of EUROCAE ED-88 or equivalent standard.
- (5) GLS receivers, or combined ILS/MLS/GPS/GLS receivers, or combined ILS/GPS/GLS receivers, which comply with the minimum performance standards of EUROCAE ED-88, RTCA DO-246E or later revision, and RTCA DO-253D or later revision, or equivalent standards.

(b) Flight guidance system

Potentially acceptable flight guidance systems for SA CAT I operations include the following:

- (1) HUDs (or equivalent displays) with flight guidance that comply with CS-AWO Subpart A, Section 2, and Subpart B, Section 3.
- (2) SVGs that comply with CS-AWO Subpart A, Section 4.
- (3) Automatic approach systems that comply with CS-AWO Subpart A, Section 1, combined with a HUD (or equivalent display) that complies with AMC 25.11, to help with the flight path monitoring and control after the DH.
- (4) Automatic landing systems that comply with CS-AWO Subpart A, Section 1, using a CAT I ILS beam model, and CS-AWO Subpart B, Section 3.
- (5) Automatic landing systems as defined in (4) with a HUD (or equivalent display) that complies with AMC 25-11 to help with the flight path monitoring before and after the DH.
- (6) Any other flight guidance system that can demonstrate the required performance of Subpart B Section 2.

(c) Radio altimeter equipment standards

The airborne equipment used to provide height above terrain may be a radio altimeter that complies with the minimum performance standards of EUROCAE ED-30 or RTCA DO-155. Alternatively, another device capable of providing equivalent performance and integrity level may be used.

[Issue: AWO/2]

CS AWO.B.SACATI.112 Minimum equipment

The minimum equipment, which must be serviceable at the beginning of an approach, shall be established and articulated in the AFM for compliance with the general requirements of this section and those relating to performance and failure conditions.

[Issue: AWO/2]

PERFORMANCE

CS AWO.B.SACATI.113 Flight path and speed control

- (a) Flight path and speed control shall comply with the specifications of CS AWO.B.CATII.113 down to 45 m (150 ft).
- (b) The demonstration of performance shall include performance at the lateral and vertical limits for the type of intended approach that certification is being sought.
- (c) The maximum allowable final approach course offset shall be established.

[Issue: AWO/2]

AMC AWO.B.SACATI.113 Flight demonstration

Refer to AMC AWO.B.CATII.113 for the AMC for performance demonstration of SA CAT I.

In addition to AMC AWO.B.CATII.113, for novel or new combinations of navigation means (facilities external to the aircraft) and visual displays/cues, it should be demonstrated that it is possible to successfully and safely land the aircraft after the DA/H using the selected navigation means and visual displays/cues. This could be achieved by a proof-of-concept demonstration in representative weather and visual conditions in at least a simulated environment.

[Issue: AWO/2]

CS AWO.B.SACATI.114 Decision height (DH)

The DH shall not be less than 1.25 times the minimum permissible height for the use of the approach system. (See AMC 25.1329)

[Issue: AWO/2]

CS AWO.B.SACATI.115 Excess-deviation alerts

- (a) Excess-deviation alerts shall operate when the deviation from the intended flight path exceeds a value from which a safe landing can be performed from offset positions equivalent to the excess-deviation alert, without exceptional piloting skill and with the visual references available in these conditions.

(See AMC AWO.B.CATII.115(a))

- (b) Excess-deviation alerts shall be set to operate with a delay of not more than 1 second from the time that the values determined in point (a) are exceeded.
- (c) Excess-deviation alerts shall be active at least from 90 m (300 ft) to the DH, but the vertical path alert should not provide nuisance alert below 45 m (150 ft).

[Issue: AWO/2]

CS AWO.B.SACATI.116 Go-around climb gradient

The AFM shall contain either a weight, altitude, temperature (WAT) limit corresponding to a gross climb gradient of 2.5 %, with the critical engine failed and with the speed and configuration used for go-around, or the information necessary to construct a go-around gross flight path with an engine failure at the start of the go-around from the DH.

[Issue: AWO/2]

CONTROLS, INDICATORS AND ALERTS

CS AWO.B.SACATI.117 Mode selection and switching

The system shall be designed so that no selection or changes of switch settings (other than system disengagement) need be made manually below a height of 150 m (500 ft) in the absence of a failure.

[Issue: AWO/2]

AMC AWO.B.SACATI.117 Mode selection and switching

If a transition from automatic mode to manual control is required by the approach system, it should be demonstrated that this transition can be made without excessive flight crew workload in the actual visual references available on a SA CAT I (or equivalent type sought) runway.

If the demonstration is to be performed with a simulator, the simulator should be:

- (a) equipped with a visual system that provides an acceptable representation of the actual visibility conditions for which operational approval is sought; and
- (b) suitably validated by flight test demonstrations for the intended operation.

[Issue: AWO/2]

CS AWO.B.SACATI.118 Presentation of information to the flight crew

(See AMC AWO.A.ALS.110)

The display and presentation of information to the flight crew, including that required to monitor the flight path, shall be compatible with the procedures specified in the AFM or flight crew operating manual, as appropriate.

[Issue: AWO/2]

FAILURE CONDITIONS

CS AWO.B.SACATI.119 General

The effects of failures of the flight guidance system, including the on-board navigation receivers, shall be considered in accordance with CS 25.1309 and CS 25.1329.

[Issue: AWO/2]

AMC AWO.B.SACATI.119 Failure conditions

In compliance with CS 25.1309 and CS 25.1329, failures of the flight guidance system, including on-board navigation receivers, which would require pilot recognition in relation with external references as required by AMC5 SPA.LVO.105(c) point (d), should be demonstrated in the actual visual references available on a SA CAT I (or equivalent type sought) runway (see CS AWO.B.SACATI.117).

[Issue: AWO/2]

CS AWO.B.SACATI.120 Failure of xLS navigation means (facilities external to the aircraft, including signal-in-space)

(See AMC AWO.B.SACATI.120)

The effects of failures and the reliability of the navigation means (facilities external to the aircraft, including signal-in-space) shall be investigated taking into account the SARPs of ICAO Annex 10

relevant to the characterisation of failures (e.g. monitor thresholds, time-to-alert and transmitter changeover or shutdown times).

[Issue: AWO/2]

AMC AWO.B.SACATI.120 Failure of xLS navigation means (facilities external to the aircraft, including signal-in-space)

The effect of detected and undetected failures of the navigation means (facilities external to the aircraft, including signal-in-space) intended to be used for the operation should be considered. The guidance of this Section is intended to address non-aircraft system errors. Due to the fact that low-visibility procedures (LVPs) are in place for SA CAT I operations, the effects of interruption or disturbance of the ground navigation means by surface movement in sensitive or critical aerodrome areas does not need to be considered.

A description of the possible fault modes of the navigation means (facilities external to the aircraft, including signal-in-space) that are derived from ICAO Annex 10 Volume I can be found in Appendix 1 to the AMC to Subpart A. It includes a description of detected failures and the probability of undetected failures. In the demonstration, credit may be taken for the ground subsystem's probability of undetected failures.

Note: Detected localiser and glide (or equivalent) threshold and time-to-alert and probability of undetected failures depend on the class of the navigation means. Demonstration made for CAT II/III systems may not be applicable for lower-class navigation means.

Failures of the navigation means (facilities external to the aircraft, including signal-in-space) which would require pilot recognition in relation with external references (as required by AMC5 SPA.LVO.105(c) point (d)) should be demonstrated in the actual visual references available on an SA CAT I (or equivalent type sought) runway (see CS AWO.B.SACATI.117).

Navigation means (facilities external to the aircraft, including signal-in-space) should ensure a minimum vertical clearance of 1 m (3 ft) from the obstacle clearance surface, including height loss during the missed approach if applicable in the event of a failure (detected or undetected). If flight crew action is required to trigger a missed approach procedure, a standard delay of 1 s should be considered after flight crew detection. The probability of exceeding the 1 m (3 ft) clearance from the obstacle clearance surface due to navigation means shall be demonstrated to be lower than 10^{-7} per approach. In addition, if automatic landing is provided, it should be demonstrated that the probability of landing outside the limits that define a safe landing due to navigation means is lower than 10^{-7} .

The effect of the probability of failure of the navigation means (facilities external to the aircraft, including signal-in-space) should be considered and the effect on the go-around rate should be investigated.

[Issue: AWO/2]

CS AWO.B.SACATI.121 Radio altimeter (or other device capable of providing equivalent performance and integrity level)

The radio altimeter (or other device capable of providing equivalent performance and integrity level) installation shall be such that the probability of the provision of false height information leading to a hazardous situation is extremely remote. If compliance is based on monitoring, the detection of a failure shall lead to the removal or obscuration of displayed information, at least in the height band from 45 m (150 ft) downwards.

[Issue: AWO/2]

CS AWO.B.SACATI.122 Excess-deviation alerts

The excess-deviation alerts shall be such that the probability of failure to operate when required is no greater than one in one thousand approaches.

[Issue: AWO/2]

AEROPLANE FLIGHT MANUAL (AFM)

CS AWO.B.SACATI.123 General

(See AMC AWO.B.CATII.122)

The AFM shall state:

- (a) the limitations, including the minimum DH to which the aeroplane is certified;
- (b) the normal and abnormal procedures;
- (c) the changes to the performance information, if necessary (e.g. approach speed, landing distance, go-around climb);
- (d) the minimum required equipment, including flight instruments;
- (e) the maximum head, tail and crosswind components in which the performance of the aeroplane has been demonstrated;
- (f) the permitted configurations (e.g. flap setting, number of engines operating);
- (g) the type of xLS navigation means (facilities external to the aircraft), any deviations from standard and associated limitations (if any) which have been used as the basis for certification (AMC AWO.B.CATII.122);
- (h) any restrictions on the ground installation that may differ from standard Category I installation; and
- (i) the runway visual range (RVR) that was used for demonstration.

[Issue: AWO/2]

SECTION 3 — AIRWORTHINESS CERTIFICATION OF AEROPLANES FOR OPERATIONS WITH DECISION HEIGHTS (DHs) BELOW 60 M (200 FT) AND DOWN TO 30 M (100 FT) — CATEGORY II (CAT II) OPERATIONS

GENERAL

CS AWO.B.CATII.101 Applicability

This section is applicable to aeroplanes for which certification is sought to allow the performance of approaches with DHs below 60 m (200 ft) down to 30 m (100 ft) — Category II operations, using a precision approach system as defined in ICAO Annex 10 (see AMC AWO.B.CATII.101(a)).

[Issue: AWO/2]

AMC AWO.B.CATII.101(a) Applicability and terminology

An xLS (as defined in CS AWO.B.CATI.102) which has outputs that indicate the magnitude and sense of deviation from a preset azimuth and elevation angle giving operational characteristics equivalent to those of a conventional ILS is considered a precision approach system.

An aeroplane with a basic airworthiness approval for IFR operations is eligible to perform xLS precision approaches down to a DH of 60 m (200 ft), assuming that the necessary xLS receiver(s) and instruments and their installation have been approved. The purpose of Subpart B Section 3 is to specify the supplementary airworthiness requirements for the performance of xLS approaches with DHs below 60 m (200 ft) down to 30 m (100 ft). Depending upon the applicable operational regulations, aeroplanes that are certified in accordance with this Section may also be eligible to conduct SA CAT II operations.

Terminology

- (a) The term ‘approach system’ used here refers only to the airborne system. It includes the equipment listed in CS AWO.B.CATII.111, and all related sensors, instruments and power supplies.
- (b) ‘Decision height (DH)’ is the wheel height above the runway elevation by which a go-around must be initiated unless adequate visual reference has been established and the aircraft position and approach path have been visually assessed as satisfactory to continue the approach and landing safely. Where ‘DH’ is used in Section 3, it means the minimum DH for which compliance with the requirements of Section 3 has been demonstrated.
- (c) A ‘go-around’ is the transition from an approach to a stabilised climb.
- (d) ‘Failure condition’ and the terms describing the probabilities and effects of failure conditions are defined in AMC 25.1309.

The term 'localiser' and 'glide path' have been retained for use with either ILS, MLS or GLS.

Cross reference is made in this Section to AMC AWO.A.ALS.110 which provides guidance on controls, indicators and alerts associated with installations incorporating more than one type of approach system (e.g. ILS and MLS and/or GLS).

[Issue: AWO/2]

CS AWO.B.CATII.102 Safety level

The safety level for precision approaches with DHs below 60 m (200 ft) down to 30 m (100 ft) shall not be less than the average safety level achieved in precision approaches with DHs of 60 m (200 ft) and above.

[Issue: AWO/2]

AMC AWO.B.CATII.102 Safety level

The safety level, achieved by complying with the performance and failure requirements of this Section, should be equivalent to or better than the safety level for operations with DHs of 60 m (200 ft) or above. Hence, in showing compliance with the performance and failure requirements, the probabilities of performance or failure effects should not be factored by the proportion of approaches, which are made with the DH below 60 m (200 ft).

[Issue: AWO/2]

CS AWO.B.CATII.103 Go-around rate

(See AMC AWO.B.CATII.103)

The proportion of approaches terminating in a go-around below 150 m (500 ft) due to the approach system performance or reliability shall not be greater than 5 %.

[Issue: AWO/2]

AMC AWO.B.CATII.103 Go-around Rate

Based on the assumption that system failures will not significantly reduce the success rate, compliance may be demonstrated by means of the continuous method of AMC AWO.B.CATII.113 using the following interpretation:

- (a) A localiser excess-deviation alert will occur between 90 m (300 ft) and 30 m (100 ft) in no more than 5 % of approaches.
- (b) A glide path excess-deviation alert will occur between 90 m (300 ft) and 30 m (100 ft) in no more than 5 % of approaches.

[Issue: AWO/2]

CS AWO.B.CATII.104 Flight crew workload

The workload associated with the use of the approach system shall be considered in showing compliance with CS 25.1523, AMC 25.1523, and CS-25 Appendix D.

[Issue: AWO/2]

CS AWO.B.CATII.105 Control of flight path

The approach system shall either:

- (a) provide information of sufficient quality to the flight crew to permit the manual control of the aeroplane along the flight path within the prescribed limits; or
- (b) automatically control the aeroplane along the flight path within the prescribed limits.

[Issue: AWO/2]

CS AWO.B.CATII.106 Control of speed

Automatic speed control shall be provided unless it is demonstrated in flight that speed can be controlled manually by the flight crew within the acceptable limits and without excessive workload. When making an approach using an automatic throttle/thrust system the approach speed may be selected manually or automatically.

[Issue: AWO/2]

CS AWO.B.CATII.107 Manual control

- (a) In the absence of a failure, the approach down to the DH shall not require a change in the means of control (e.g. a change from automatic to manual).
- (b) The use of a manual mode or the transition from an automatic mode to manual control shall not require exceptional piloting skill, alertness or strength.

[Issue: AWO/2]

AMC AWO.B.CATII.107 Manual control

A change in the means of control is considered a change from automatic control to manual control.

[Issue: AWO/2]

CS AWO.B.CATII.108 Oscillations and deviations

The approach system shall cause no sustained nuisance oscillations or undue attitude changes or control activity as a result of configuration or power changes or any other disturbance to be expected in normal operation.

[Issue: AWO/2]

CS AWO.B.CATII.109 Decision height recognition

The recognition of the DH shall be made by means of height measured by a radio altimeter or other device capable of providing for equivalent performance and integrity level.

[Issue: AWO/2]

CS AWO.B.CATII.110 Go-arounds

Go-arounds shall not require exceptional piloting skill, alertness or strength to maintain the desired flight path.

[Issue: AWO/2]

EQUIPMENT

CS AWO.B.CATII.111 Installed equipment

The approach guidance system shall include:

- (a) two xLS receivers with a display of the selected deviation information at each pilot's station;
- (b) an automatic approach coupler or a flight director system with display at each pilot's station (or an alternative system capable of providing for equivalent performance and safety);
- (c) a radio altimeter with displays at each pilot's station of:
 - (1) radio altitude, and
 - (2) the selected DH (e.g. an index on an analogue scale or a digital indication);
- (d) clear visual indication at each pilot's station (e.g. an alert light) when the aeroplane reaches the pre-selected decision height appropriate to the approach;
- (e) automatic or flight director go-around system or acceptable attitude indicators;
- (f) audible warning of automatic pilot failure (for automatic approach);
- (g) an automatic throttle/thrust system when required by CS AWO.B.CATII.106;
- (h) an appropriate equipment failure warning system; and

- (i) an alert of excess deviation from the required approach path, at each pilot's station.

[Issue: AWO/2]

AMC AWO.B.CATII.111 Installed equipment

- (a) xLS airborne equipment standards

Acceptable standards for airborne receiver equipment include the following:

- (1) Localiser receivers that comply with the minimum performance standards of EUROCAE ED-46B or later revision, or an equivalent standard, and glide path receivers that comply with the minimum performance standards of EUROCAE ED-47A or RTCA DO-192 or later revision.

Note: The aforementioned localiser specifications are in accordance with the FM Broadcast Interference Immunity requirements of ICAO Annex 10, Volume 1, Chapter 3, and with paragraph 3.1.4.

- (2) MLS receivers that comply with the minimum performance standards of EUROCAE ED-36A or later revision, or an equivalent standard, and DME/P or DME/N transceivers that comply with the minimum performance standards of EUROCAE ED-54 or RTCA DO-189.
- (3) Combined ILS/MLS receivers that comply with the minimum performance standards of EUROCAE ED-74 or equivalent standard.
- (4) Combined ILS/MLS/GPS receivers that comply with the minimum performance standards of EUROCAE ED-88 or equivalent standard.
- (5) Combined ILS/MLS/GPS/GLS receivers, or combined ILS/GPS/GLS receivers, which comply with the minimum performance standards of EUROCAE ED-88, RTCA DO-246E, and RTCA DO-253D, or equivalent standards.

- (b) Radio altimeter equipment standard

The airborne equipment used to provide height above terrain may be a radio altimeter that complies with the minimum performance standards of EUROCAE ED-30 or RTCA DO-155. Alternatively, another device capable of providing equivalent performance and integrity level may be used.

[Issue: AWO/2]

CS AWO.B.CATII.112 Minimum equipment

The minimum equipment, which must be serviceable at the beginning of an approach, for compliance with the general requirements of this Section 3 and those relating to performance and failure conditions shall be established and articulated.

[Issue: AWO/2]

AMC AWO.B.CATII.112 Minimum equipment

An xLS receiver may be unserviceable if it is justified by a system safety assessment (SSA).

[Issue: AWO/2]

PERFORMANCE

CS AWO.B.CATII.113 Flight path and speed control

The performance of the aeroplane and its systems shall be demonstrated by flight tests supported by appropriate analysis and simulator tests. Flight-testing shall include a sufficient number of approaches conducted in conditions which are reasonably representative of the actual operating conditions and shall cover the range of parameters affecting the behaviour of the aeroplane.

[Issue: AWO/2]

AMC AWO.B.CATII.113 Flight demonstration

1 Flight path control

Compliance with CS AWO.B.CATII.113 may be shown by a flight test programme covering a representative range of weight, centre-of-gravity (CG) position, xLS ground facility characteristics, aeroplane configurations and wind speed. At least three ILS ground facilities and/or at least two MLS/GLS facilities should be used with an approximately equal number of approaches to each. The aeroplane and its equipment should be representative of the production standard in relevant areas. For handflown approaches conducted using a flight director or a HUD, at least three different pilots flying should be employed with the total number of approaches flown being approximately evenly divided among them.

Since it is not economically possible to make a large number of approaches to show compliance with AMC AWO.B.CATII.113, it is necessary to impose a confidence level on the results of the programme. A confidence level of 90 % has been selected to allow a reasonable number of approaches. Two methods of demonstrating compliance are given: the 'continuous method' and the 'pass or fail method'. The mathematical derivation of these two methods is given in Appendix 1 to AMC AWO.B.CATII.113.

1.1 Continuous method (analysis of maximum value)

If this method is used, a minimum of 30 approaches should be made to provide an adequate sample. If more than one type of precision approach system is installed, approximately equal numbers of approaches should be carried out for each type of approach system being certified. The maximum glide path and localiser deviations occurring between 90 m (300 ft) and 30 m (100 ft) should be recorded using test instrumentation and the results analysed in one of the following two ways.

1.1.1 Numerical analysis

- a. Calculate

$$\lambda = \sqrt{\frac{1}{2n} \sum_{i=1}^n (x_i)^2}$$

where: x_i is the maximum glide path (or localiser) deviation recorded between 90 m (300 ft) and 30 m (100 ft) on the approach, and n is the number of approaches.

- b. Calculate

$$\alpha = \frac{x_0}{\lambda} \sqrt{1 - \left(\frac{1 \cdot 28}{\sqrt{n}}\right)}$$

where x_0 is the excess-deviation alert setting

- c. Calculate the probability of success, $P(\alpha)$, where:

$$P(\alpha) = 100 \left(1 - e^{-\frac{\alpha^2}{2}}\right)$$

If $P(\alpha)$ is 95 % or more, the aeroplane meets the criteria with the required levels of confidence.

1.1.2 Graphical analysis

This is essentially the same as the numerical analysis but it allows inspection of the results as the programme progresses so as to give an early indication of the likelihood of success.

- a. Calculate $\sum_{i=1}^n (x_i)^2$ as the programme progresses

and plot the results against the number of approaches completed in Figure 1.

Note: Figure 1 is based on excessive glideslope and localiser deviation thresholds of 75 μA and 25 μA respectively, as specified in AMC AWO.B.CATII.115(a). If lower thresholds are used, Figure 1 should be amended using the method specified in Appendix 1 to AMC AWO.B.CATII.113, paragraph 3, 'Graphical analysis'.

- b. When the plotted line enters the 'pass' region, the programme may be stopped.

1.2 Pass or fail method

This method is suitable for use when it is not practicable to install recording equipment. A total of at least 46 successful approaches are necessary to pass this method. If more than one type of precision approach system is installed, approximately equal numbers of approaches should be carried out for each type of approach system being certified. Each approach is made using Category II procedures and a record is kept of any unsatisfactory approaches due to xLS tracking performance or airborne system malfunctions. The success of the programme is judged against the criteria shown in Figure 2.

1.3 Numerical analysis by simulation

This method is suitable for use when a simulation has been demonstrated valid by flight tests (i.e. simulation tools to demonstrate CAT III automatic landing as per AMC AWO.A.ALS.106).

The numerical analysis method proposed in paragraph 1.1 can be used provided that:

- the deviation is computed from the aircraft position to the intended flight path;
- the signal-in-space model used for the simulation is representative of the elected navigation means (facilities external to the aircraft) for the intended operation; signal-in-space models representative of navigation means can be found in Appendix 1 to the AMC to Subpart A; and
- the wind models used for the simulation are representative; acceptable representative wind models can be found in Appendix 1 to the AMC to Subpart A.

2 Speed control

Where an automatic throttle/thrust is used, the airspeed should be recorded and shown to remain within ± 9.3 Km/h (± 5 kt) of the intended value, disregarding rapid fluctuations due to turbulence.

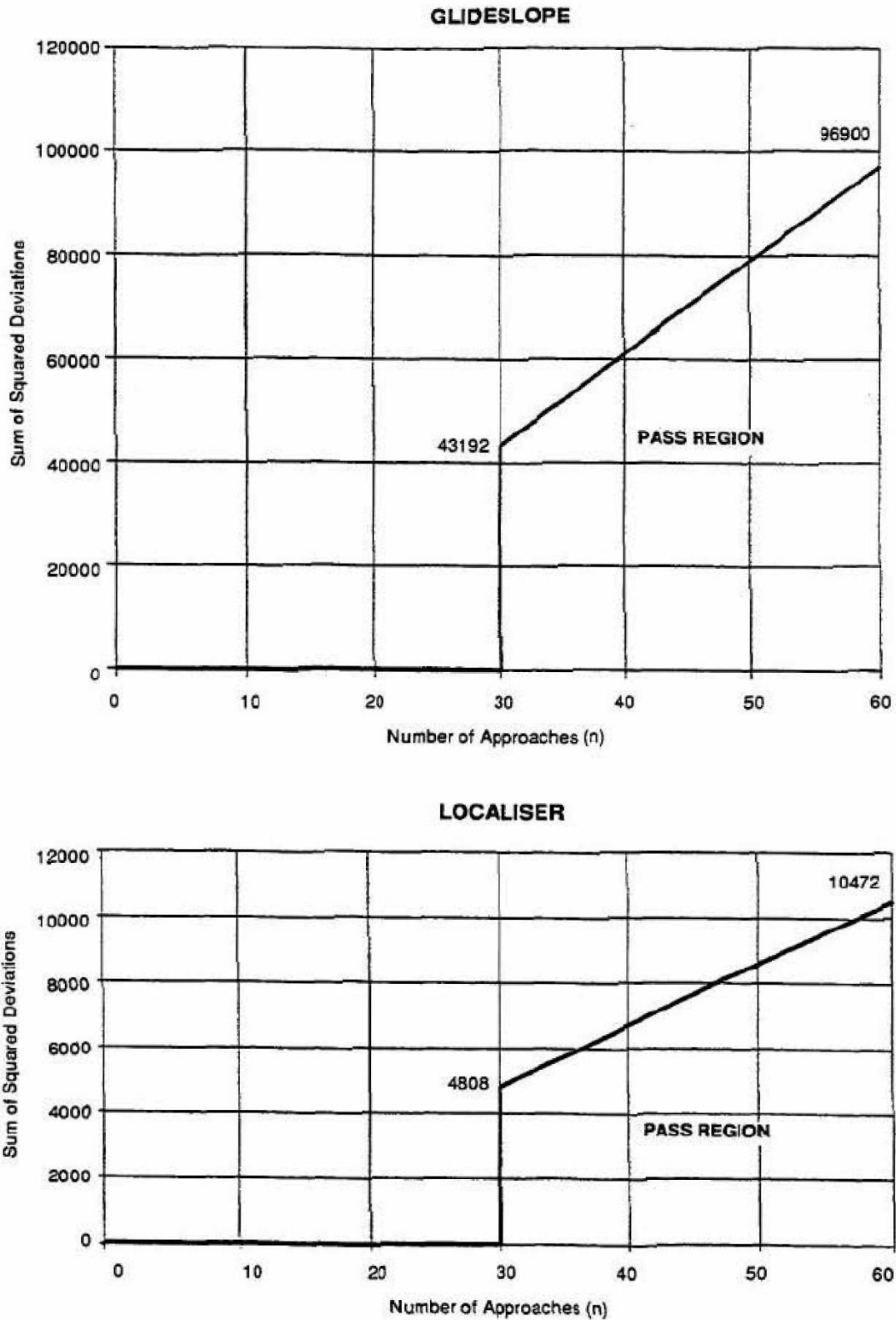
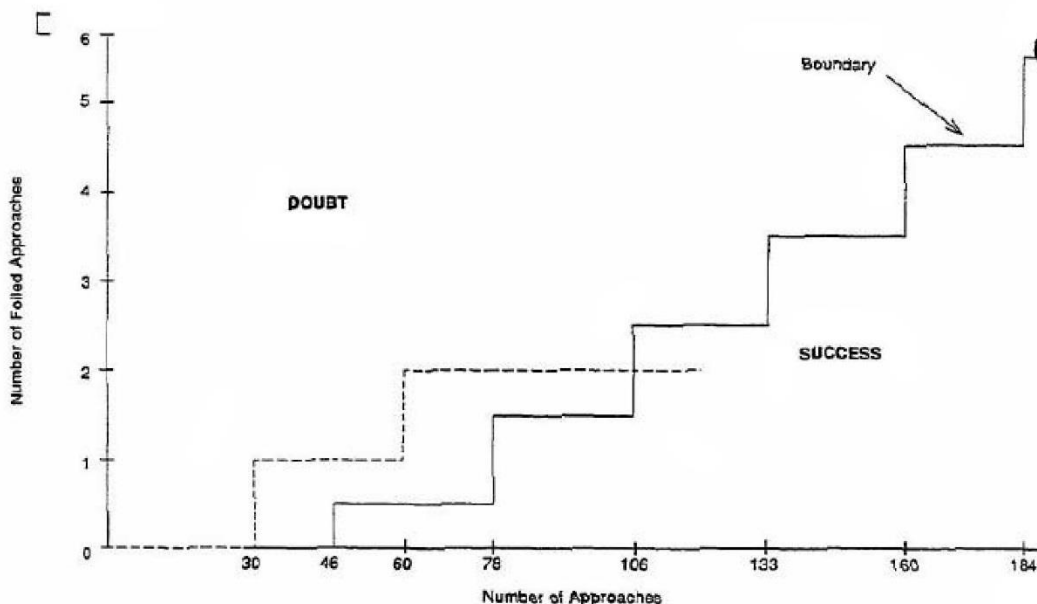


FIGURE 1 Graphical analysis



The dashed line illustrates achieved progress with failures on approaches 30 and 60.

FIGURE 2 Pass or fail method

[Issue: AWO/2]

APPENDIX 1 TO AMC AWO.B.CATII.113 — Category II ILS and MLS tracking performance

1 Introduction

AMC AWO.B.CATII.113 gives acceptable methods of demonstrating acceptable ILS and/or MLS tracking performance. This Appendix gives the mathematical derivation of these methods.

2 Numerical analysis

The maximum glide path or localiser deviation recorded during an xLS approach will vary from one approach to another and may be treated as a statistical variable. If it is assumed that the glideslope and localiser deviations recorded during an xLS approach have a normal distribution with mean zero, then it can be shown that the maximum deviations (ignoring the sign of the maximum value) during a certain approach interval follow a Rayleigh distribution of the form:

$$P(x) = \frac{x}{\lambda_0^2} e^{-1/2 \left(\frac{x}{\lambda_0}\right)^2}$$

where x is the maximum glideslope or localiser deviation and λ_0 is the scale parameter of the Rayleigh Distribution function.

It follows that the probability of recording a maximum deviation less than some specified value x_0 is:

$$P(x_0) = \int_0^{x_0} P(x)dx = 1 - e^{-1/2\left(\frac{x_0}{\lambda_0}\right)^2}$$

It can be shown that:

$$\lambda_0^2 = 1/2 \int_0^x x^2 P(x)dx$$

and, to a good approximation:

$$\lambda^2 = \frac{1}{2n} \sum_{i=1}^n (x_i)^2$$

where n is the number of approaches and x_i the maximum deviation recorded on each approach.

If large numbers of approaches were made, λ_0 could be calculated and used to find the probability that the maximum xLS deviation will not exceed the excess-deviation alert setting.

For example, if:

$$\lambda_0^2 = \frac{1}{2n} \sum_{i=1}^n (x_i)^2 = 625$$

and the excess-deviation alert setting is 75 μ A, then:

$$\frac{x_0}{\lambda_0} = 3 \cdot 0$$

and

$$P(x_0) = 98.9 \%$$

However, it is not economically practicable to make large numbers of approaches and the effects of small sample sizes should be considered. The usual method of doing so is to impose a confidence level (in this case, 90 %) on the results of the measured sample.

If values of λ^2 are calculated from a number of samples, sampling theory shows that they will be normally distributed with a mean value λ_0^2 and a standard deviation of $\frac{\lambda_0^2}{\sqrt{n}}$ where n is the number of approaches in each sample.

Parameter $\mu = \frac{(\lambda^2 - \lambda_0^2)\sqrt{n}}{\lambda_0^2}$ is normally distributed with a mean value 0 and a standard deviation 1.

The probability (or confidence level) that a value of μ is greater (or smaller) than a certain value is given by the probability distribution function of the normal distribution N (0,1):

$$P(\mu > -\mu_1) = P(\mu < \mu_1) = \tau = \frac{1}{\sqrt{2\pi}} \int_{-\infty}^{\mu_1} e^{-\frac{\mu^2}{2}} d\mu$$

Figure A1–1 shows numerical solutions of this integral, in percentages of the integral from $-\infty$ to ∞ , representing one-sided exceedance probabilities (or confidence levels) τ for a range of μ_1 values.

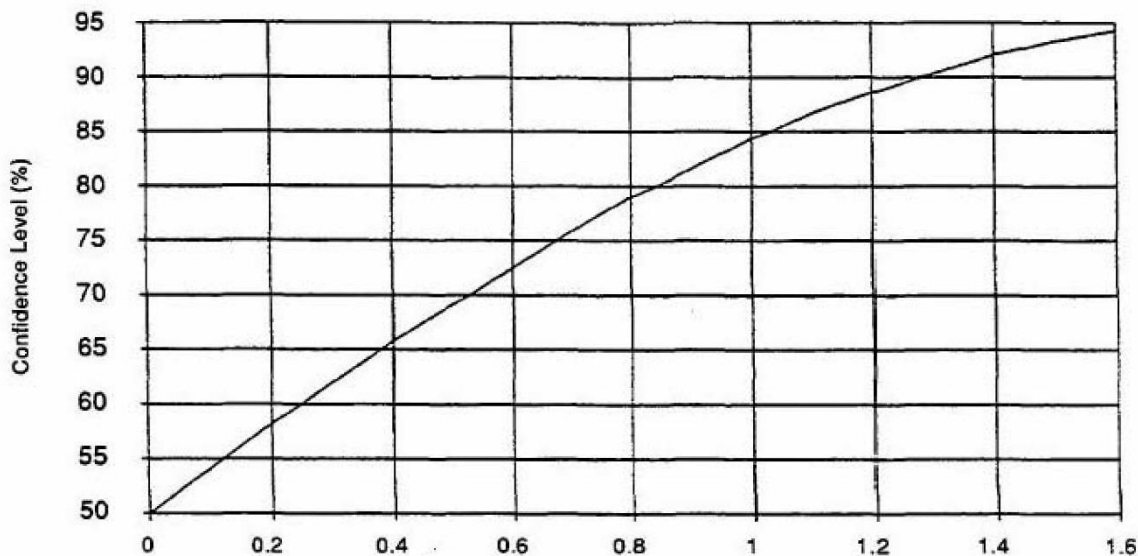


Figure A1–1: Confidence level

From this Figure, it can be seen that for $\tau = 90 \%$, $\mu_1 = 1.28$.

Thus, there is a given level of confidence τ that:

$$\mu = \frac{(\lambda - \lambda_0^2)\sqrt{n}}{\lambda_0^2} > -\mu_1$$

From which

$$\lambda_0^2 < \frac{\lambda^2}{1 - \frac{\mu_1}{\sqrt{n}}}$$

The value of λ^2 for the sample is, as shown earlier:

$$\lambda^2 = \frac{1}{2n} \sum_{i=1}^n (x_i)^2$$

Hence, the maximum value of λ_0 can be calculated, followed by the minimum value of

$$\alpha = x_0 \sqrt{\frac{1 - \frac{\mu_1}{\sqrt{n}}}{\lambda^2}}$$

where, as before, x_0 is the excess-deviation alert setting.

The minimum probability of not exceeding the excess-deviation alert setting is found by using the probability equation:

$$P(\alpha) = 100 \left(1 - e^{-\frac{\alpha^2}{2}} \right)$$

3 Graphical analysis

As before, the distribution of the maximum deviation on an approach is assumed to be such that the probability that it is less than a value x_0 is given by:

$$P(x_0) = 1 - e^{-1/2 \left(\frac{x_0}{\lambda_0} \right)^2}$$

From this equation, given that the required probability is 95 %, the value of $\frac{x_0}{\lambda_0}$ can be calculated as:

$$\frac{x_0}{\lambda_0} = 2 \cdot 4477$$

The limiting deviations (x_0) are the excess-deviation alert settings; 75 μA for the glide path and 25 μA for the localiser. Hence:

$\lambda_0 = 30.64$ for the glide path

$\lambda_0 = 10.21$ for the localiser

As given earlier:

$$\lambda = \sqrt{\frac{1}{2n} \sum_{i=1}^n (x_i)^2}$$

so that:

$$\sum_{i=1}^n (x_i)^2 = 2n\lambda^2$$

= 1 878 n for the glide path

= 209 n for the localiser

Thus, a 95 % success rate can be represented graphically as in Figure A1–2 showing $\sum x_i^2$ plotted against i :

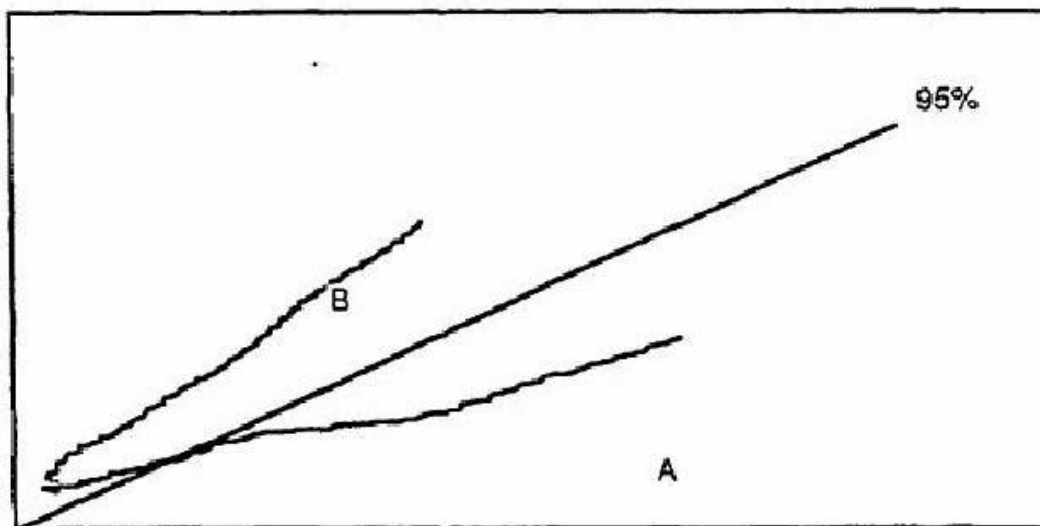


Figure A1-2: Examples of results of flight trials

If, now, a flight trials programme is carried out and the accuracy of the results needs to be checked against the 95 % success criterion, this can be achieved by plotting the value of $\sum x_i^2$, the sum of the squares of the maximum recorded deviations, against n , the number of runs as the trial progresses. If the results are better than required, the graph will cross the 95 % line as shown by line A above. If they are worse the results will appear as line B.

So far, the effect of sample size has not been considered. Its effect is to lower the 95 % success line.

For the sample:

$$\lambda = \sqrt{\frac{1}{2n} \sum_{i=1}^n (x_i)^2}$$

As shown earlier:

$$\lambda_0^2 < \frac{\lambda^2}{1 - \frac{\mu_1}{\sqrt{n}}}$$

which, in the limiting case becomes:

$$\lambda^2 = \lambda_0^2 \left(1 - \frac{\mu_1}{\sqrt{n}}\right)$$

Hence:

$$\lambda_0^2 \left(1 - \frac{\mu_1}{\sqrt{n}}\right) = \frac{1}{2n} \sum_{i=1}^n (x_i)^2$$

or

$$\sum_{i=1}^n (x_i)^2 = 2n\lambda_0^2 \left(1 - \frac{\mu_1}{\sqrt{n}}\right)$$

λ_0 = 30.64 for the glide path

λ_0 = 10.21 for the localiser

μ_1 = 1.28 for 90 % confidence level

$$\sum_{i=1}^n (x_i)^2 = 1\,878\,n - 2\,403\,\sqrt{n} \text{ for the glide path}$$

$$= 209\,n - 267\,\sqrt{n} \text{ for the localiser}$$

These expressions have been used to produce Figure 1 of AMC AWO.B.CATII.113.

4 Pass or fail method

Suppose the rate of failed approaches measured over a large number of approaches is r .

In a number of approaches T , the expected number of failures is $n = rT$.

In any given period of time, the number of failures occurring may be greater or less than n , and the small sample may not be typical.

If the failures are randomly distributed with respect to time, the probability p of observing F failures when the expected number is n is given by the various terms of the Poisson distribution, viz.:

F	0	1	2	3	F
P	e^{-n}	$e^{-n}n$	$\frac{e^{-n}n^2}{2!}$	$\frac{e^{-n}n^3}{3!}$	$\frac{e^{-n}n^F}{F!}$

This is a convenient form when the long-term average n is known and the probability of an occurrence of abnormally high or low numbers of failures over short periods is to be found. The problem here is the reverse of this. The observed number F is known and the value of n , which is consistent with it, is required.

In this case, n can have any value above zero and less than infinity. By considering all values of n from zero to some selected maximum N , the Poisson distribution can be used to find the probability of occurrence of each value of n . Summing all these probabilities gives the cumulative probability P that, for an observed value of F , the expected value is not in excess of N . Thus:

$$P = \int_0^N \frac{n^F}{F!} e^{-n} dn$$

As F is a known whole number, then, for various values of F, the value of P may be determined as follows:

$$F = 0, P = \int_0^N e^{-n} dn = 1 - e^{-N}$$

$$F = 1, P = \int_0^N ne^{-n} dn = 1 - (N + 1)e^{-N}$$

$$F = 2, P = \int_0^N \frac{n^2 e^{-n}}{2!} dn = 1 - (N^2 + 2N + 2) \frac{e^{-N}}{2}$$

and generally for any value of F,

$$P = 1 - \left(\frac{N^F}{F!} + \frac{N^{F-1}}{(F-1)!} + \frac{N^{F-2}}{(F-2)!} + \dots + N + 1 \right) e^{-N}$$

By evaluating the integral for various values of N, the variation of P with N is obtained. Then, for a given confidence level P, the value of N corresponding to the observed value F is obtained. Thus, if the observed rate is F/T, then, for a selected confidence level, it is possible to determine the maximum value for the failure rate N/T.

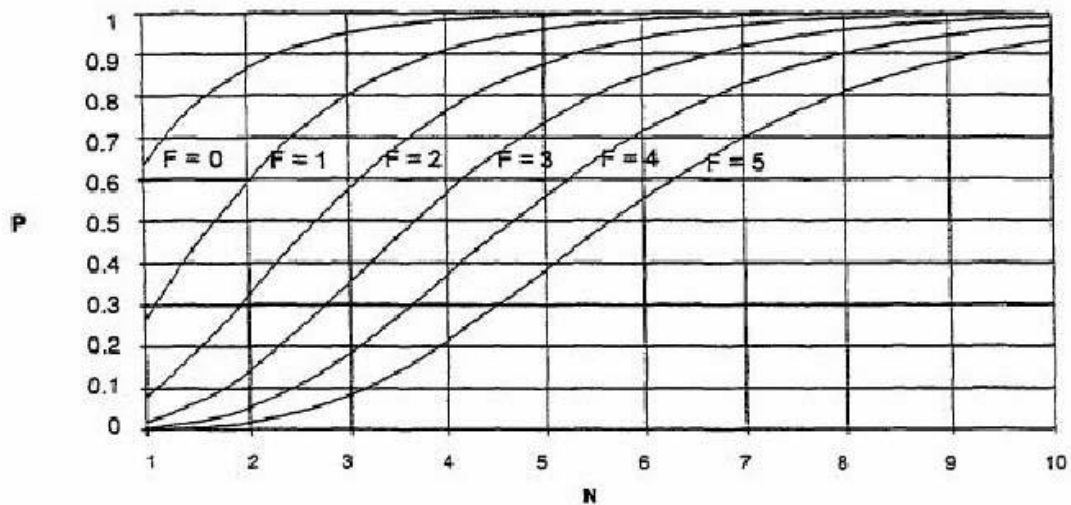


Figure A1-3: P, N and F relationships

From Figure A1-3 it can be seen that for a failure rate r of 5 % and a 90 % confidence level, the required number of approaches T is:

F	N	T
0	2.30	46
1	3.9	78
2	5.3	106
3	6.65	133
4	8	160
5	9.2	184

For example, it is necessary to make 46 approaches without a failure, 78 if one failure occurs and so on as shown in Figure 2 of AMC AWO.B.CATII.113.

[Issue: AWO/2]

CS AWO.B.CATII.114 Decision height (DH)

The DH shall not be less than 1.25 times the minimum permissible height for the use of the approach system. (See AMC 25.1329.)

[Issue: AWO/2]

CS AWO.B.CATII.115 Excess-deviation alerts

- (a) Excess-deviation alerts shall operate when the deviation from the xLS glide path or localizer centre line exceeds a value from which a safe landing can be performed from offset positions equivalent to the excess-deviation alert, without exceptional piloting skill and with the visual references available in these conditions. (See AMC AWO.B.CATII.115(a))
- (b) Excess-deviation alerts shall be set to operate with a delay of not more than 1 second from the time that the values determined in CS AWO.B.CATII.115(a) are exceeded.
- (c) Excess-deviation alerts shall be active at least from 90 m (300 ft) to the DH, but the glide path alert should not be active below 30 m (100 ft).

[Issue: AWO/2]

AMC AWO.B.CATII.115(a) Excess-deviation alerts

The excess-deviation alerts should be set to operate when the xLS deviation exceeds not more than:

- 75 μ A for the glide path; and
- 25 μ A for the localiser.

[Issue: AWO/2]

CS AWO.B.CATII.116 Go-around climb gradient

The AFM shall contain either a WAT limit corresponding to a gross climb gradient of 2.5 %, with the critical engine failed and with the speed and configuration used for go-around, or the information necessary to construct a go-around gross flight path with an engine failure at the start of the go-around from the DH.

[Issue: AWO/2]

CONTROLS, INDICATORS AND ALERTS

CS AWO.B.CATII.117 Mode selection and switching

The system shall be designed so that no selection or changes of switch settings (other than system disengagement) need be made manually below a height of 150 m (500 ft) in the absence of a failure.

[Issue: AWO/2]

CS AWO.B.CATII.118 Presentation of information to the flight crew

The display and presentation of information to the flight crew, including that required to monitor the flight path, shall be compatible with the procedures specified in the AFM or flight crew operating manual, as appropriate.

[Issue: AWO/2]

FAILURE CONDITIONS

CS AWO.B.CATII.119 General

The effects of failures of the flight guidance system, including the navigation means (facilities external to the aircraft), shall be considered in accordance with the requirements of CS 25.1309 and CS 25.1329.

[Issue: AWO/2]

CS AWO.B.CATII.120 Radio altimeter (or other device capable of providing for equivalent performance and integrity level)

The radio altimeter (or other device capable of providing for equivalent performance and integrity level) shall be such that the probability of the provision of false height information leading to a hazardous situation is extremely remote. If compliance is based on monitoring, the detection of a failure shall lead to the removal or obscuration of the displayed information, at least in the height band from 30 m (100 ft) downwards.

[Issue: AWO/2]

CS AWO.B.CATII.121 Excess-deviation alerts

The probability of an excess-deviation alert failing to operate when required shall be no greater than one in one thousand approaches.

[Issue: AWO/2]

AEROPLANE FLIGHT MANUAL (AFM)

CS AWO.B.CATII.122 General

The AFM shall state:

- (a) the limitations, including the minimum DH to which the aeroplane is certified;
- (b) the normal and abnormal procedures;
- (c) the changes to the performance information, if necessary (e.g. approach speed, landing distance, go-around climb); and
- (d) the minimum required equipment, including flight instruments;
- (e) the maximum head, tail and crosswind components in which the performance of the aeroplane has been demonstrated;
- (f) the permitted configurations (e.g. flap setting, number of engines operating); and
- (g) the type of xLS navigation means (facilities external to the aircraft) and associated limitations (if any) which have been used as the basis for certification (see AMC AWO.B.CATII.122).

[Issue: AWO/2]

AMC AWO.B.CATII.122 Aeroplane flight manual

The aeroplane flight manual (AFM) may contain a statement to the effect that the categories of xLS navigation means (facilities external to the aircraft) which have been used as the basis for certification should not be taken as a limitation. In that case, the AFM should also contain a statement that some CAT I xLS navigation means (facilities external to the aircraft) may not be suitable for use by the approach system.

[Issue: AWO/2]

SECTION 4 — AIRWORTHINESS CERTIFICATION OF AEROPLANES FOR OPERATIONS WITH DECISION HEIGHTS (DHs) BELOW 30 M (100 FT) OR NO DECISION HEIGHT (DH) — CATEGORY III (CAT III) OPERATIONS

GENERAL

CS AWO.B.CATIII.101 Applicability

This section is applicable to aeroplanes for which certification is sought to allow the performance of approaches with DHs below 30 m (100 ft) or with no DH — Category III operations, using a precision approach system as defined in ICAO Annex 10.

The criteria are divided, where necessary, into those applicable to the following types of operation:

- (1) DHs below 30 m (100 ft) but not less than 15 m (50 ft);
- (2) DHs below 15 m (50 ft); and
- (3) No DH.

(See AMC AWO.B.CATIII.101(a))

[Issue: AWO/2]

AMC AWO.B.CATIII.101(a) Applicability and terminology

A precision approach system, as defined in ICAO Annex 10, is considered an xLS (ILS, MLS or GLS) which has outputs that indicate the magnitude and sense of deviation from a preset azimuth and elevation angle giving operational characteristics equivalent to those of a conventional ILS.

An aeroplane with a basic airworthiness approval for IFR operations is eligible to perform xLS precision approaches down to a DH of 60 m (200 ft), assuming that the necessary xLS receiver(s) and instruments and their installation have been approved. The supplementary airworthiness criteria for aeroplanes to perform precision approaches down to a DH below 60 m (200 ft) and down to 30 m (100 ft) are contained in Subpart B Section 3.

The purpose of this Section is to specify the supplementary airworthiness criteria for aeroplanes to perform precision approaches with DHs below 30 m (100 ft) or with no DH.

This material may not be appropriate to precision approach aids other than xLS. It should be noted that when other guidance information is used to supplement the xLS (e.g. inertial navigation systems), some reduction may be acceptable in the standard of xLS ground facility indicated below.

Terminology

-
- (a) The term ‘landing system’ used here refers only to the airborne system. It includes the equipment listed in CS AWO.B.CATIII.113, and also all related sensors, instruments and power supplies.
- (b) ‘Automatic landing system’: the airborne equipment which provides automatic control of the aeroplane during approach and landing.
- (c) ‘Fail-passive automatic landing system’: an automatic landing system is fail-passive if, in the event of a failure, there is no significant out-of-trim condition or deviation of the flight path or attitude but the landing is not completed automatically.
- (d) For a fail-passive automatic landing system, the pilot assumes control of the aircraft following a failure.

The following are typical arrangements:

- (1) A monitored automatic pilot in which automatic monitors will provide the necessary failure detection and protection.
 - (2) Two automatic pilots with automatic comparison to provide the necessary failure detection and protection.
- (e) ‘Super fail-passive automatic landing system’: an automatic landing system which meets the requirements of point (c) but has additional features such as automatic align, roll-out and go-around modes which, along with other aircraft characteristics defined under CS AWO.B.CATIII.113(b)(2), permit operations in lower RVRs than less sophisticated fail-passive landing systems.
- (f) ‘Fail-operational automatic landing system’: an automatic landing system is fail-operational if, in the event of a failure, the approach, flare and landing can be completed by the remaining part of the automatic system.

In the event of a failure, the automatic landing system will operate as a fail-passive system.

The following are typical arrangements:

- (1) Two monitored automatic pilots, one remaining operative following a failure.
 - (2) Three automatic pilots, two remaining operative (to permit comparison and provide necessary failure detection and protection) following a failure.
- (g) ‘Fail-operational hybrid landing system’: a system which consists of a primary fail-passive automatic landing system and a secondary independent guidance system enabling the pilot to complete a landing manually following a failure of the primary system.

A typical secondary independent guidance system consists of a monitored HUD providing guidance which normally takes the form of command information, but it may alternatively be situation (or deviation) information.

- (h) The alert height is a specified radio height, based on the characteristics of the aeroplane and its fail-operational landing system. In operational use, if a failure occurred above the alert height in one of the required redundant operational systems in the aeroplane (including, where appropriate, ground-roll guidance and the reversionary mode in a hybrid system), the approach would be discontinued and a go-around executed unless reversion to a higher DH is possible. If

a failure in one of the required redundant operational systems occurred below the alert height, it would be ignored and the approach continued.

- (i) DH is the wheel height above the runway elevation by which a go-around must be initiated unless adequate visual reference has been established and the aircraft position and approach path have been assessed as satisfactory to continue the approach and landing safely.

Where 'DH' is used in this document, it means the minimum DH determined in the airworthiness certification.

- (j) A go-around is the transition from an approach to a stabilised climb.
- (k) Head-up display landing system (HUDLS)

The term 'HUDLS' refers to the total airborne system which provides head-up guidance to the pilot during the approach, landing or go-around. It includes all the sensors, computers, power supplies, indications and controls. Typically, a HUDLS is used for primary approach guidance for DHs down to 15 m (50 ft).

The terms 'localiser' and 'glide path' have been retained for use with either ILS, MLS or GLS.

Cross reference is made in this Section to AMC AWO.A.ALS.110 which provides guidance on controls, indicators and alerts associated with installations incorporating more than one type of approach system (e.g. ILS and MLS and/or GLS).

Characteristics of the types of operation

Additional and more detailed information regarding the characteristics of the types of operation is provided below.

- (a) DH below 30 m (100 ft) but not less than 15 m (50 ft)

The RVR required by a pilot to make the decision to land from a DH below 30 m (100 ft) is less than the RVR required for a DH at 30 m (100 ft). Furthermore, the time from the DH to the start of the flare manoeuvre will be less.

Consequently, in order to achieve the desired success rate and to preserve the safety level, it has been considered necessary that the aeroplane be fitted with an automatic landing system or a head-up landing guidance system. Use of such systems also ensures that the aeroplane is within the obstacle-free zone specified in ICAO Annex 14 during approach and any go-around so that there is no need to take obstacle clearance into account in determining the DH. The RVR limit is set by the responsible national authority in accordance with applicable operating regulations and provides an assessment of the visibility conditions at and below the DH so that, if either the landing system or the xLS signal-in-space fails when the aeroplane is below the DH, the pilot can carry out a manual landing with an acceptable safety level.

The ground guidance system is either:

- (1) a Facility Performance Category III or a Facility Performance Category II ILS that complies with the Facility Performance Category III standards of ICAO Annex 10, Chapter 3-1, in respect of all significant performance parameters, at least down to ILS point D, 900 m (3 000 ft) from the runway threshold;

or

- (2) a Category III MLS that complies with the requirements of ICAO Annex 10, Chapter 3.11;

Or

(3) a GAST D GLS that complies with the requirements of ICAO Annex 10

(b) DH below 15 m (50 ft)

Aeroplanes which have a fail-operational landing system, can be certified for operation with a DH below 15 m (50 ft).

In this type of operation, the RVR needs not only to be sufficient for the pilot to make the decision at the DH, but also to be sufficient to enable the pilot to control the aeroplane during the ground roll. The main purpose of the DH is so that the pilot can assess the adequacy of the visibility conditions before touchdown and prepare to take over visual manual control. It is desirable that the DH be late in the flare after the major pitch changes have taken place, and that an automatic go-around system be fitted. There exists an unknown probability that, although the RVR is reported to be adequate, denser patches of fog may lie on the runway, and it is thought prudent to add a margin to the bare minimum required to control the ground roll. The RVR limit is set by the responsible national authority in accordance with the applicable operating regulations.

The ground guidance system (xLS) is as described in point (a), and, additionally, comply with a continuity of service objective (failure survival capability) of $1-(2 \times 10^{-6})$. It is assumed that the pilot is promptly notified by air traffic control (ATC) of a failure or degradation of the required ground equipment (e.g. loss of the stand-by xLS transmitter).

(c) No DH

An aeroplane with a fail-operational landing system with automatic ground-roll control (or ground-roll guidance) may be certified for operation without a DH (operations when the pilot is not required to make a decision described in the definition of DH). Any required RVR limit is set by the responsible national authority in accordance with the applicable operating regulations.

In these visibility conditions, the pilot is likely to brake hard during the ground roll and, therefore, an anti-skid braking system is considered essential. Distance and ground speed indications and automatic braking would obviously be useful, but are not considered essential and are not required.

The ground guidance system (Facility Performance Category III ILS, Category III MLS or GAST D GLS) complies with the Standards of ICAO Annex 10 and, additionally, complies with an integrity objective of $1-(0.5 \times 10^{-9})$ and an ILS/MLS continuity of service objective of $1-(2 \times 10^{-6})$ or a GLS continuity of service objective as stated in ICAO Annex 10, Appendix B, paragraph 3.6.7.1.3.2.

[Issue: AWO/2]

CS AWO.B.CATIII.102 Safety level

The safety level for precision approaches with DHs below 30 m (100 ft) or no DH may not be less than the average safety level achieved in precision approaches with DHs of 60 m (200 ft) and above.

[Issue: AWO/2]

AMC AWO.B.CATIII.102 Safety level

The safety level, achieved by complying with the performance and failure requirements of this Section, should be equivalent to or better than the safety level for operations with DHs of 60 m (200 ft) or above. Hence, in showing compliance with the performance and failure requirements, the probabilities of performance or failure effects should not be factored by the proportion of approaches, which are made with the DHs below 30 m (100 ft).

[Issue: AWO/2]

CS AWO.B.CATIII.103 Go-around rate

The go-around rate below 150 m (500 ft) attributable to the landing system performance or reliability shall not be greater than 5 %. Additionally, for DHs below 15 m (50 ft) and no DH, the probability of go-around below the alert height attributable to the landing system performance and reliability shall be such that compliance with CS AWO.B.CATIII.102 is achieved. (See CS AWO.B.CATIII.123(a))

[Issue: AWO/2]

CS AWO.B.CATIII.104 Minimum flight crew

The workload associated with the use of the minimum DH shall be considered in showing compliance with CS 25.1523, AMC 25.1523, and CS-25 Appendix D.

[Issue: AWO/2]

CS AWO.B.CATIII.105 Control of flight path and ground roll

- (a) Landing systems, other than HUDLS, shall control the aeroplane within the prescribed limits along the flight path to touchdown (see CS AWO.B.CATIII.115(a) and (b)) and along the runway (see CS AWO.B.CATIII.117) when appropriate, and specifically:
- (1) For fail-passive automatic landings, the primary mode of controlling the aeroplane shall be automatic until the main wheels touch the ground (except as in CS AWO.B.CATIII.113(b)(1)), and for operation with no DH, the control shall be automatic until the nose wheels touch down.
 - (2) For DHs below 15 m (50 ft), a fail-operational landing system (automatic or hybrid) shall be provided which, when appropriate, includes provision for the control of the aeroplane along the runway during the ground roll down to a safe speed for taxiing.
 - (3) If the landing roll-out is to be accomplished automatically using rudder control, the rudder axis shall be engaged during the approach phase.
- (b) For HUDLS, the following applies:
- (1) The system shall provide sufficient guidance information to enable a pilot that is competent to conduct the intended operation to intercept the xLS approach path, if that

capability is provided, to track it, to land the aeroplane within the prescribed limits or to perform a go-around without reference to other cockpit displays. It shall not require exceptional piloting skill to achieve the required performance. (See CS AWO.B.CATIII.115(a) and (b))

- (2) If the autopilot is used to control the flight path of the aeroplane to intercept and establish the xLS approach path, the point during the approach at which the transition from automatic to manual flight takes place shall be identified and taken into account in the performance demonstration (see CS AWO.B.CATIII.115).

[Issue: AWO/2]

CS AWO.B.CATIII.106 Control of speed

Automatic speed control shall be provided unless:

- (a) the DH is 15 m (50 ft) or greater; and
- (b) it is demonstrated in flight that speed can be controlled manually by the flight crew within the acceptable limits and without excessive workload. (See CS AWO.A.ALS.105 and AMC AWO.B.CATII.113)

[Issue: AWO/2]

CS AWO.B.CATIII.107 Manual control

The transition from an automatic mode to manual mode or the use of a manual mode shall not require exceptional piloting skill, alertness or strength.

[Issue: AWO/2]

CS AWO.B.CATIII.108 Oscillations and deviations

The landing system shall not cause sustained nuisance oscillations or undue attitude changes or control activity as a result of configuration or power changes or any other disturbance to be expected in normal operation.

[Issue: AWO/2]

CS AWO.B.CATIII.109 Alert height

(See AMC AWO.B.CATIII.109)

For a fail-operational system with a DH below 15 m (50 ft) or with no DH, an alert height shall be established in accordance with CS AWO.B.CATIII.123(a) and shall be at least 30 m (100 ft).

[Issue: AWO/2]

AMC AWO.B.CATIII.109 Alert height

(See CS AWO.B.CATIII.109)

It may be operationally useful for the alert height to be somewhat higher than 30 m (100 ft) since this would permit reversion to a higher DH in the event of system failure. A maximum value should be established during certification and it should not normally be above 90 m (300 ft).

[Issue: AWO/2]

CS AWO.B.CATIII.110 Decision height

When the DH is during the landing flare, it shall be below the height at which the major attitude changes associated with this manoeuvre take place.

[Issue: AWO/2]

CS AWO.B.CATIII.111 Decision height recognition

The recognition of the DH shall be made by means of height measured by a radio altimeter (or other device capable of providing for equivalent performance and integrity level). Arrival at the DH shall be positively annunciated to both pilots.

[Issue: AWO/2]

CS AWO.B.CATIII.112 Go-around

(See AMC AWO.B.CATIII.112)

- (a) The aircraft shall be capable of safely executing a go-around from any point on the approach to touchdown in all configurations to be certified. The manoeuvre shall not require exceptional piloting skill, alertness or strength and shall ensure that the aeroplane remains within the obstacle limitation surface for a Category II or III precision approach runway as specified in ICAO Annex 14.
- (b) For DHs below 15 m (50 ft), automatic go-around shall be provided.
- (c) When automatic go-around is provided, it shall be available down to touchdown.
- (d) When automatic go-around is engaged, the subsequent ground contact shall not cause its disengagement.

[Issue: AWO/2]

AMC AWO.B.CATIII.112 Go-around

- 1 Safety considerations

1.1 Effects of contact with the runway

For aircraft for which a go-around from a very low altitude may result in inadvertent runway contact, the safety of the procedure should be established giving consideration to at least the following:

- a. The guidance information and control provided by the go-around mode should be retained and be shown to have safe and acceptable characteristics throughout the manoeuvre.
- b. Other systems (e.g. automatic throttle, brakes, spoilers, reverse thrust and alerting systems) should not operate in a way that would adversely affect the safety of the go-around manoeuvre.

1.2 Inadvertent go-around selection

The inadvertent selection of the go-around mode after touchdown should have no adverse effect on the ability of the aircraft to safely roll out and stop.

2 Performance

Height loss from a range of altitudes during the approach and flare should be determined when under automatic control and when using the landing guidance system as appropriate.

- a. Height loss may be determined by flight testing (with typically 10 flight-demonstrated go-arounds) supported by simulation.
- b. The simulation should evaluate the effects of variation in parameters such as weight, centre of gravity (CG), configuration and wind, and show correlation with the flight test results.
- c. Normal procedures for a go-around with all engines operating should be followed.

EQUIPMENT

CS AWO.B.CATIII.113 Installed equipment

(See AMC AWO.B.CATIII.113)

The following items of equipment shall be installed for certification to the DHs specified unless it is shown that the intended level of safety is achieved with alternative equipment, or the deletion of some items:

- (a) All DHs below 30 m (100 ft) or no DH:
 - (1) Two xLS receivers. Each pilot's station shall display:
 - (i) deviation information from the selected xLS navigation source; and
 - (ii) deviation information from a source independent of the other pilot's display.
 - (2) One radio altimeter (or other device capable of providing for equivalent performance and integrity level) with display at each pilot's station.

- (3) Clear visual indication at each pilot's station (e.g. an alert light) when the aeroplane reaches the preselected DH appropriate to the approach.
- (4) An appropriate equipment failure warning system.
- (5) An alert of excess deviation from the required approach path at each pilot's station.
- (6) In the case of aeroplanes having a minimum flight crew of two pilots, an automatic voice system, which calls when the aeroplane is approaching the DH (or when approaching the ground during a no DH approach) and when it reaches the DH.
- (7) An anti-skid braking system unless it can be shown that the aeroplane can land safely without such a system (see AMC AWO.B.CATIII.113).
- (8) A means for the pilot to determine that the aeroplane can be stopped within the available runway length (see AMC AWO.B.CATIII.113).

The number of xLS receivers and radio altimeters (or other device capable of providing for equivalent performance and integrity level) may need to be increased in order to provide fail-operational capability where required.

- (b) DH of 15 m (50 ft) or greater (see AMC AWO.B.CATIII.113(b)(2)):

Compliance with any one of the following paragraphs (1) or (2) is acceptable. The RVR minima authorised will be dependent on the equipment installed in compliance with a particular paragraph, and in accordance with the operational rules.

- (1)
 - (i) Fail-passive automatic landing system or HUDLS;
 - (ii) Automatic speed control, unless it can be shown that speed control does not add excessively to the flight crew workload;
 - (iii) Automatic or flight director go-around or suitable attitude indicators.

or

- (2)
 - (i) Super fail-passive automatic landing system, provided that:
 - (A) it is demonstrated that a manual go-around can be made without excessive flight crew workload following loss of automatic landing capability; and
 - (B) the aeroplane has a low approach speed, is easily manoeuvrable and the height of the pilot's eyes above the wheels is small;
 - (ii) Automatic speed control, unless it can be shown that speed control does not add excessively to the flight crew workload;
 - (iii) Fail-passive automatic go-around;
 - (iv) Fail-operational or fail-passive automatic ground-roll control or head-up ground-roll guidance, for control or guidance, along the runway during the ground roll down to a safe speed for taxiing.

- (c) DH below 15 m (50 ft):

- (1) Fail-operational automatic landing system or fail-operational hybrid landing system;
- (2) Fail-passive automatic go-around;

- (3) Automatic speed control; and
 - (4) Fail-operational or fail-passive automatic ground-roll control or head-up ground-roll guidance (see CS AWO.B.CATIII.105).
- (d) No DH:
- (1) Fail-operational automatic landing system;
 - (2) Fail-passive automatic go-around;
 - (3) Automatic speed control; and
 - (4) Fail-operational or fail-passive automatic ground-roll control or head-up ground-roll guidance (see CS AWO.B.CATIII.105).

[Issue: AWO/2]

AMC AWO.B.CATIII.113 Installed equipment

- (a) The list of items of equipment required to be installed for certification to the DHs specified is based on experience with conventional medium and large transport jet aeroplanes, and it is recognised that changes may be appropriate for significantly different applications.

- (b) xLS airborne equipment standards

Acceptable standards for airborne receiver equipment include the following:

- (1) Localiser receivers with centring accuracy for automatic landing that comply with the minimum performance standards of EUROCAE ED-46B or later revision, or an equivalent standard, and glide path receivers that comply with the minimum performance standards of EUROCAE ED-47A or RTCA DO-192 or later revision.

Note: The aforementioned localiser specifications are in accordance with the FM Broadcast Interference Immunity requirements of ICAO Annex 10, Volume 1, Chapter 3, paragraph 3.1.4.

- (2) MLS receivers that comply with the minimum performance standards of EUROCAE ED-36A or later revision, or an equivalent standard, and DME/P transceivers that comply with the minimum performance standards of EUROCAE ED-54 or RTCA DO-189.
- (3) Combined ILS/MLS receivers that comply with the minimum performance standards of EUROCAE ED-74 or equivalent standard.
- (4) Combined ILS/MLS/GPS receivers that comply with the minimum performance standards of EUROCAE ED-88 or equivalent standard.
- (5) Combined ILS/MLS/GPS/GLS receivers, or combined ILS/GPS/GLS receivers, that comply with the minimum performance standards of EUROCAE ED-88, RTCA DO-246E, and RTCA DO-253D, or equivalent standards.

- (c) Radio altimeter equipment standards

The airborne equipment used to provide height above terrain may be a radio altimeter that complies with the minimum performance standards of EUROCAE ED-30 or RTCA DO-155.

Alternatively, another device capable of providing equivalent performance and integrity level may be used.

(d) Anti-skid braking systems

An anti-skid braking system may not be required depending on the braking characteristics of the aeroplane, its susceptibility to tyre failure during heavy braking, and susceptibility to tyre failure during operations with reduced runway surface friction.

(e) Means to determine, assess or manage stopping performance

In showing compliance with CS AWO.B.CATIII.113(a)(8), at least one of the following means should be used:

- (1) An automatic braking system together with information for the flight crew about appropriate automatic brake settings to be used for landing or which provides landing distance information for use by the flight crew to determine which automatic brake setting may or may not be appropriate.
- (2) A ground speed indicating system together with acceptable procedures for its use. Knowledge of the aircraft position on the runway is assumed.
- (3) A display that shows the adequacy of aircraft deceleration for stopping within the confines (e.g. width and length) of the available runway.
- (4) A display that shows the length of remaining runway after touchdown.
- (5) A procedural means, acceptable to the regulatory authority, to ensure that a safe stop can be made (without the assistance of an aircraft system). However, a procedural means is not appropriate for minima less than 300 ft RVR (100 m). For an RVR less than 100 m, consideration should be given to the availability of auto-roll-out and anti-skid and whether manual braking can be accepted with a contingency procedure (e.g. max braking).

[Issue: AWO/2]

AMC AWO.B.CATIII.113(b)(2) Suitability of aircraft for fail-passive operations with a decision height of 50 ft or greater

Operations in accordance with CS AWO.B.CATIII.113(b)(2) may not be suitable for all aircraft types. When assessing the suitability of an aircraft type in respect of size and approach speed, the following should be taken into account:

- (a) landing gear track;
- (b) wingspan;
- (c) pilot's eye-to-wheel height (EWH);
- (d) distance from the cockpit to the main wheels; and
- (e) approach speed at maximum landing weight.

The following provides additional guidance in order to assist in the determination of whether an aircraft is suitable for super fail-passive operations:

- (a) Landing gear track, wingspan and distance from cockpit to the main wheels

The landing gear track, wingspan and distance from the cockpit to the main wheels should be considered in relation to the safety of the go-around which is likely to be conducted from a height where ground contact is likely. If the results of the simulator tests show potential for wing tip strikes or runway excursions during go-around, then it is unlikely that the aircraft can be approved for super fail-passive operations.

- (b) Pilot's eye-to-wheel height (EWH)

The pilot's EWH has a direct bearing on the height of the pilot's eyes above the runway at the DH. This, along with the angle of vision cut-off of the pilot's downward view, determines the visual segment available in low visibility.

The visual segment and number of visible approach lights required are explained in AMC4 SPA.LVO.105(c). It is likely that the size of the visual segment will be determined by the pilot's need to see at least one barrette of the TDZ lighting in order to have a suitable roll reference in the event of having to perform a manual go-around due to autopilot failure. Since the TDZ lighting is spaced at a maximum of 60-m intervals on Category III runways, a visual segment of 60 m must always be available at and below the DH for super fail-passive operations.

The EWH is affected not only by aeroplane size and geometry, but also by the pitch attitude during approach (which itself, is weight-, centre-of-gravity- and configuration-dependent). Typical EWH values for narrow-body turbojets lie between 4 and 5 metres. Aeroplanes with significantly higher values may not be suitable for super fail-passive operations since the visual segment might be insufficient.

It is important to ensure that any pitch attitude changes, which may occur as a result of the automatic landing flare, are taken into account when determining the EWH. See also CS AWO.B.CATIII.110.

- (c) Approach speed at maximum landing weight

The approach speed should be sufficiently low such that the limited visual references used to verify the aircraft flight path at and below the DH, during continued approach or go-around, can be easily interpreted by the pilot.

Experience has shown that super fail-passive operations may be safely conducted on some aircraft types up to a maximum approach speed of 140 kt. This value equates to the upper limit of Category C aeroplanes as defined by CAT.OP.MPA.320(b) Table 1, and may be used as a general guide but it may not be limiting.

- (d) Other aeroplane characteristics

The requirement for the aircraft to be easily manoeuvrable relates mainly to the ability of the pilot to safely perform a manual go-around close to the ground, with limited external cues following an autopilot failure below the DH. The assumption is that the more manoeuvrable the aircraft is, the safer the go-around is likely to be.

Areas to consider when assessing the manoeuvrability of the aircraft with respect to the manual go-around manoeuvre should include engine spool-up characteristics and trim changes due to

thrust (directional and in pitch), trim changes due to flap and gear, and the ability to control airspeed.

The aeroplane should also be assessed from the point of view of being able to be safely controlled along the runway from the point at which the automatic landing system is normally disengaged, down to a safe taxi speed in the minimum RVR proposed.

[Issue: AWO/2]

CS AWO.B.CATIII.114 Minimum equipment

The minimum equipment, which must be serviceable at the beginning of an approach for compliance with the general criteria of this section and those relating to performance and failure conditions, shall be established and articulated.

[Issue: AWO/2]

PERFORMANCE

CS AWO.B.CATIII.115 Performance demonstration

(See AMC AWO.B.CATIII.115)

- (a) Flight path and speed control shall comply with CS AWO.B.CATII.113 and CS AWO.B.CATII.116. (See AMC AWO.B.CATII.113)
- (b) Touchdown performance of landing systems shall comply with CS AWO.A.ALS.106, CS AWO.A.ALS.107, and CS AWO.A.ALS.109. For operation with no DH, compliance with the lateral touchdown performance criteria shall be demonstrated at main-wheel and nose-wheel touchdown.
- (c) The automatic throttle/thrust system shall comply with CS AWO.A.ALS.105.
- (d) Compliance with CS AWO.B.CATIII.116 and CS AWO.B.CATIII.117(a) shall be demonstrated primarily by flight test. Compliance with paragraphs (a) and (b) of this paragraph and with CS AWO.B.CATIII.117(b) shall be demonstrated by analysis and simulator tests supported by flight tests. Flight testing and any associated analysis shall include a sufficient number of approaches and landings conducted in conditions which are reasonably representative of actual operating conditions and shall cover the range of parameters affecting the behaviour of the aeroplane.
- (e) In showing compliance with paragraphs (a) and (b), when a HUDLS is used for primary guidance (HUD manual landing), the following additional variables shall be included in the performance demonstration (see AMC AWO.A.HUD.107):
 - (1) ambient lighting conditions, and approach and runway lighting;
 - (2) variations of the reported RVR; and
 - (3) individual flight crew performance.

[Issue: AWO/2]

AMC AWO.B.CATIII.115 Performance demonstrations

1 Approach

The supporting flight tests to show compliance with CS AWO.B.CATIII.115(a) in respect of approach performance may be a programme of flight demonstrations carried out in accordance with AMC AWO.B.CATII.113.

2 Touchdown

For compliance with CS AWO.B.CATIII.115(b) in respect of touchdown performance, a programme of flight demonstrations will be required to support the simulation and analysis. (See AMC AWO.A.ALS.106)

3 Ground roll

3.1 A programme of landings should be carried out to ensure that there is a confidence level of 90 % that the criterion of CS AWO.B.CATIII.117(a) is complied with. This programme and the analysis of the results should be in accordance with the procedures established for approach performance. (See AMC AWO.B.CATII.113 paragraph 2)

3.2 When operation is based on fail-operational ground roll, a programme of flight demonstration landings is necessary to support the simulation and the analysis programme which are required to demonstrate compliance with CS AWO.B.CATIII.117(b). (See AMC AWO.A.ALS.106)

4 Considerations for GLS

4.1 Compatibility with rare undetected non-aircraft system error conditions (See Appendix 1 to the AMC to Subpart A)

The criteria below establish the compatibility of the ICAO standardised ground monitoring performance for satellite faults and single ground-reference receiver faults with the aircraft performance including satellite geometry screening. The criteria ensure that undetected faults or rare normal errors in non-aircraft GBASs, when combined with all other nominal factors that affect landing performance, do not result in an unacceptably high probability of landing outside the limits that define a safe landing.

Note: Appendix 1 to AMC AWO.B.CATIII.115 GBAS performance model for approach and landing simulation contains a list of references that have been used to derive the signal model. These references describe undetected non-aircraft system error conditions, rare normal performance and faults as well as the ICAO standardised ground system monitoring requirements. The aircraft requirements in this Section are intended to address non-aircraft system errors that are below the ground monitoring thresholds. The existence of such errors is not considered a malfunction of the non-aircraft system.

For any value of GLS NSE, including the effects of undetected satellite faults and undetected faulted conditions at a single ground-reference receiver, it must be shown that the touchdown performance will be such that the exceedance of any of the limits

prescribed in CS AWO.A.ALS.106(c) will be less than those prescribed in AMC AWO.A.ALS.106 paragraph 1.4 for the limit condition.

Other non-GLS variables that effect performance shall vary according to their expected distributions when assessing this compatibility. Credit for the prior probability of the fault cannot be taken when evaluating the required landing probabilities; however, credit may be taken for the ground subsystem's probability of detection for satellite faults and the aircraft's probability of detection for single-reference receiver faults.

Note: It is assumed that operations will be approved with knowledge of the runway-specific glide path and threshold crossing height values and the aircraft's capability. Therefore, it is not necessary to determine compliance with this Section using the glide path and threshold crossing height values set to the limit allowed for the aircraft.

4.2 Compatibility with worst-case undetected guidance errors

Rare ionosphere events and undetected satellite or ground station failures could result in significant vertical (and lateral) position errors. Under certain conditions, such errors may go undetected by the system and could result in erroneous guidance if not mitigated. The effect of such errors may not be observable by the flight crew.

All undetected errors that are not extremely improbable shall not prevent a safe landing and/or go-around when all other variables that effect the performance are at their nominal values. The effect of worst-case undetected errors on landing system performance shall be assessed via simulation using the GLS noise model provided in Appendix 1 to the AMC to Subpart A. The worst-case undetected errors shall be simulated by using the maximum range domain error given in Table 5 of Appendix 1 to the AMC to Subpart A in conjunction with the appropriate geometry screening factors used by the aircraft. The certification plan must specify how the demonstration will be conducted, including the number of cases and variables with pass-fail criteria. The aeroplane performance shall be assessed in the presence of the full range of bias and ramp type failures produced by the fault mode generator described in Appendix 1 to the AMC to Subpart A.

[Issue: AWO/2]

APPENDIX 1 TO AMC AWO.B.CATIII.115 Performance demonstrations

1 Limit case analysis

Demonstration of compliance with paragraph 4.1 of AMC AWO.B.CATIII.115 may be done by analysis to show that for all possible sizes of navigation error, the joint probability that the error is not detected and that the error results in the aeroplane landing outside the safe landing box as defined in CS AWO.A.ALS.106 is less than 1×10^{-5} . The analysis uses the nominal touchdown distributions (lateral and longitudinal) along with the geometry factors (S_{vert} and S_{lat}), and the maximum allowable P_{md} performance of the monitors for satellite ranging source failures and for the reference receiver fault monitor (RRFM). The nominal touchdown distribution is used to

compute the probability of an unsuccessful landing given a particular size of error $P_{UL|E}(E)$. This probability is then multiplied by the probability of an error not being detected as a function of E, $P_{md}(E)$. The probability of an unsuccessful landing given in error is the joint probability that the fault that causes an error, E, is not detected and the landing will be unsuccessful given an error, E:

$$P_{UL}(E) = P_{UL|E}(E) \cdot P_{md}(E) < 10^{-5} [1]$$

To form the conditional unsuccessful landing probability, $P_{UL|E}(E)$, a conditional touchdown distribution should be used that would result from a constant bias error in addition to the fault-free NSE and flight technical error distributions. This should be done for the full range of relevant error sizes to form the total conditional probability of an unsuccessful landing as a function of the error. The conditional unsuccessful landing probability is expressed as follows for the land-short and land-long cases:

Land short
$$P_{(UL|E)(E)} = \int_{-\infty}^{LSC} P_{TSE_LON|E}(x, E) dx \quad [2]$$

Land long
$$P_{UL|E}(E) = \int_{LLC}^{\infty} P_{TSE_LON|E}(x, E) dx \quad [3]$$

Land with wheels less than 5 ft from the edge of the runway:

$$P_{UL|E}(E) = \int_{RWE-GW/2}^{\infty} P_{TSE_LAT|E}(x, E) dx + \int_{-\infty}^{-RWE+GW/2} P_{TSE_LAT|E}(x, E) dx \quad [4]$$

where:

LSC is the land-short criteria (i.e. 200 ft);

LLC is the land-long criteria (i.e. 3 000 ft);

RWE is the lateral landing criteria (i.e. 70 ft);

GW is the lateral distance between the main landing gear;

$P_{TSE_LON|E}(x, E)$ is the probability density function for the longitudinal touchdown given a bias of magnitude E; and

$P_{TSE_LAT|E}(x, E)$ is the probability density function for the lateral touchdown given a bias of magnitude E.

Note: Care should be taken to ensure consistency of units when making these calculations.

1.1 Computing P_{md} for ranging source errors

A bound on the probability of missed detection for the ranging source error, $P_{md}(E_R)$, is defined by the performance constraint region given in ICAO Annex 10 Appendix B Section 3.6.7.3.3.2. The P_{md} performance should lie below the curve defined by Table B-76A in the SARPs, repeated here for convenience.

Probability of missed detection	Pseudo-range error (metres)
$P_{md_limit} \leq 1$	$0 \leq E_r < 0.75$
$P_{md_limit} \leq 10^{(-2.56 \times E_r + 1.92)}$	$0.75 \leq E_r < 2.7$
$P_{md_limit} \leq 10^{-5}$	$2.7 \leq E_r < \infty$

Table B-76 A: *Pmd_limit* parameters

For example, in the case of the longitudinal touchdown requirement, the vertical position error has the largest effect on the touchdown location. The worst-case projection of a range error into vertical error, $\max(|S_{Apr_{vert,i}}|)$, may be used to determine the resulting limit on $P_{md}(E_V)$ by substituting $E_R = E_V / \max(|S_{Apr_{vert,i}}|)$.

Figure 1 illustrates the relationship between P_{md_limit} and the $P_{md}(E_V)$ for $\max(|S_{Apr_{vert,i}}|) = 5$.

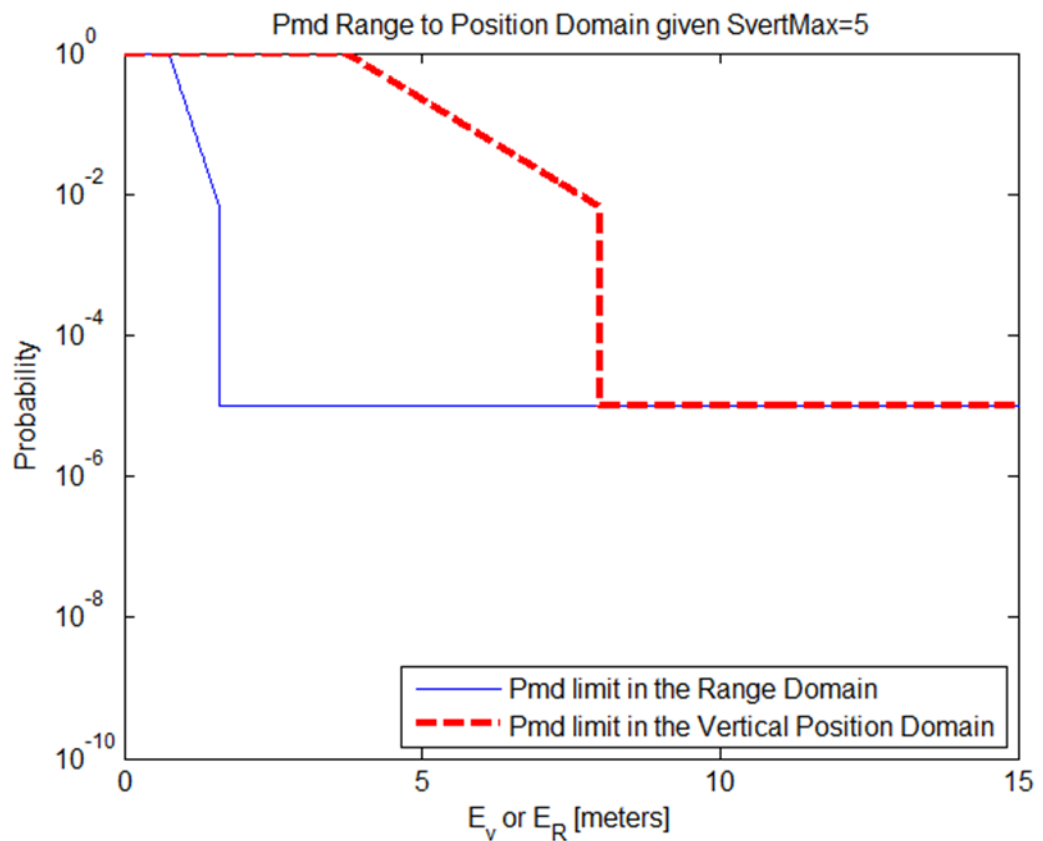


Figure 1: Example of the satellite ranging source Pmd in the range domain and position domain

1.2 Computing P_{md} for reference receiver fault monitoring

The P_{md} for the RRFM is given by:

$$P_{mdApprox}(E_V) = \int_0^{T_{BAC}} p_{Bmd}(x, E_V) dx \quad [5]$$

where:

T_{BAC} is the maximum threshold for the RRFM monitor given by:

$$T_{BAC} = 5.5 \times \sqrt{\left(\frac{0.0842 \times VAL}{\sqrt{m-1}}\right)^2 + 0.4^2} \quad \text{Metres [6]}$$

where:

VAL is the vertical alert limit that is used by airborne equipment to screen geometry expressed in metres.

And $p_{Bmd}(x, E_V)$ is the probability density function (pdf) of $|B_{j,vert}(E_V)|$ in the faulted circumstance given by:

$$p_{Bmd}(x, E_V) = \begin{cases} x \geq 0; & dnorm\left(x, E_V, \frac{0.0842 \times VAL}{\sqrt{M-1}\sqrt{M}}\right) \\ & + dnorm\left(-x, E_V, \frac{0.0842 \times VAL}{\sqrt{M-1}\sqrt{M}}\right) \\ x < 0; & 0 \end{cases} \quad [7]$$

where $dnorm(x, \mu, \sigma)$ is the Gaussian pdf

$$dnorm(x, \mu, \sigma) = \frac{e^{-\frac{(x-\mu)^2}{2\sigma^2}}}{\sqrt{2\pi}\sigma} \quad [8]$$

For a derivation of these expressions, see reference [1] of Appendix 1 to the AMC to Subpart A.

1.3 Example assessments

Figure 2 illustrates a landing-short assessment for a hypothetical aeroplane with a nominal longitudinal touchdown point of 1 500 ft from the threshold and a dispersion that can be bounded by a Gaussian distribution with $\sigma = 220$ ft. Also, a $\max(|S_{Apr,vert,i}|)$ of 5, VAL of 10 metres and GPA of 3 degrees is used. Rearranging equation [1]:

$$P_{UL|E}(E) < \frac{10^{-5}}{P_{md}(E)} \quad [9]$$

Hence, by dividing 10^{-5} by the P_{md} curves for satellite ranging sources and RRFM, the grey ‘keep-out regions’ shown in Figure 2 can be obtained. The assessment is then simple. If the curve for $P_{UL|E}(E)$ does not enter the keep-out regions, then the requirement that $P_{UL}(E) < 10^{-5}$ is met for all values of E.

An alternative approach to the analysis is illustrated in Figure 3 where the probability of an unsuccessful landing is explicitly calculated for both monitor types (ranging sources and RRFM).

¹ ICAO Standards and Recommended Practices (SARPs) for the Global Navigation Satellite System (GNSS). Annex 10 to the Chicago Convention, Vol 1.

Extension of these examples to the land-long and lateral cases is straightforward.

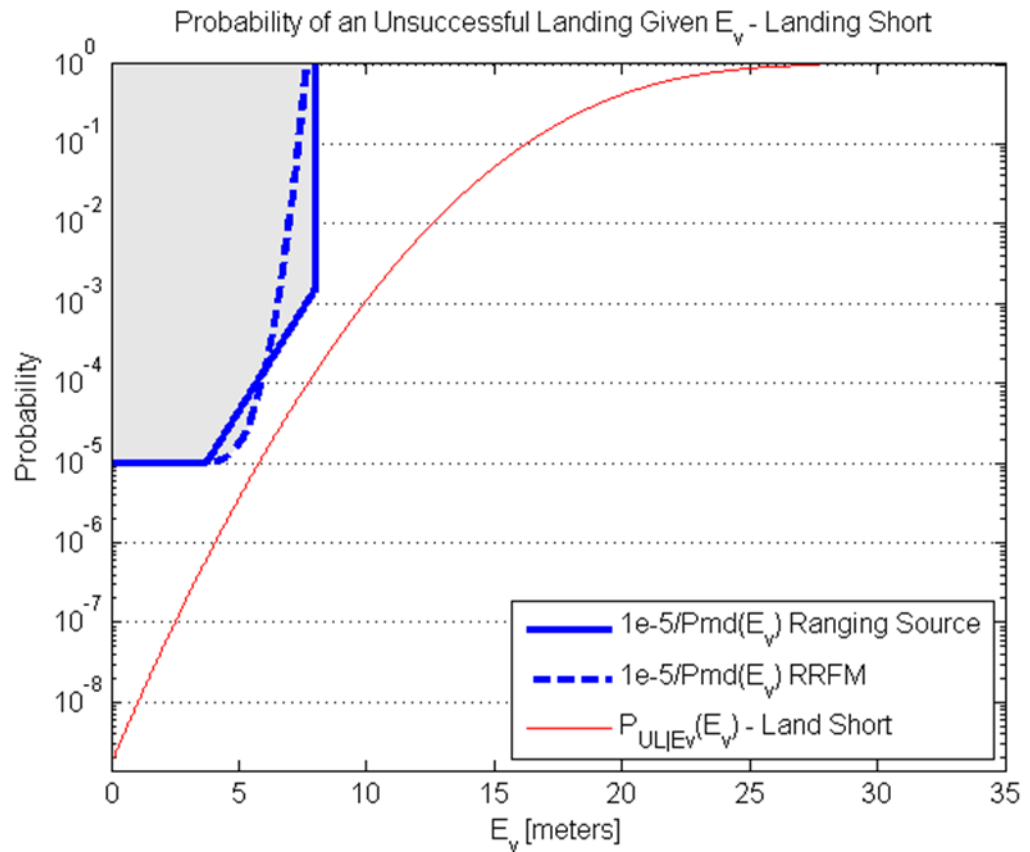


Figure 2: Example assessment of landing-short performance

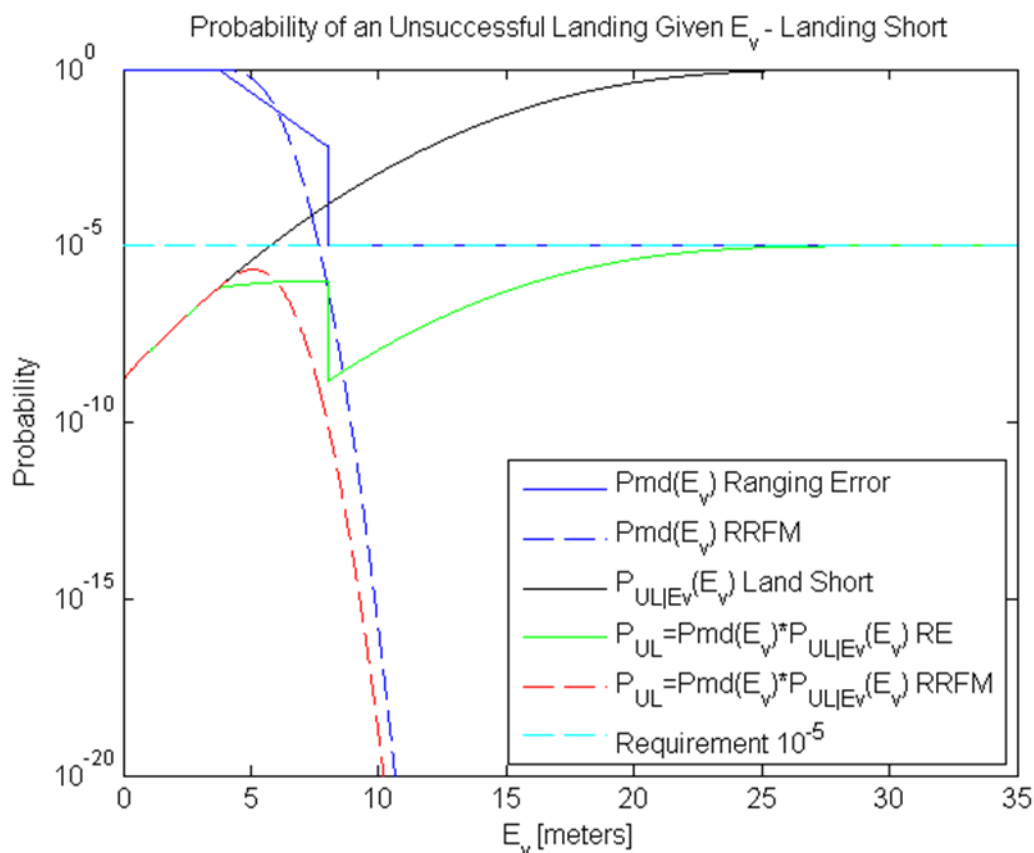


Figure 3: Explicit calculation of P_{UL} for the land-short example above

[Issue: AWO/2]

CS AWO.B.CATIII.116 Head-up display fail-operational hybrid landing system

Where a HUDLS is fitted as part of a hybrid system, its performance need not meet the same criteria as the primary system provided that it:

- (a) meets the overall performance requirements, taking into account the probability that it will be used; and
- (b) is sufficiently compatible with the primary system so as to retain pilot confidence.

[Issue: AWO/2]

CS AWO.B.CATIII.117 Automatic ground-roll control

(See AMC AWO.B.CATIII.115)

- (a) When automatic ground-roll control or head-up ground-roll guidance is being used, the probability that the point on the aeroplane centre line between the main wheels will deviate more than 8.2 m (27 ft) from the runway centre line on any one landing shall be less than 5 %.
- (b) Additionally, when the operation is predicated on the provision of fail-operational ground-roll control, the probability that the outboard landing gear will deviate to a point more than 21 m (70 ft) from the runway centre line while the speed is greater than 74 km/h (40 kt) shall be less than 10^{-6} .

[Issue: AWO/2]

CS AWO.B.CATIII.118 Landing distance

If there is any feature of the system or the associated procedures which would result in an increase in the landing distance, the appropriate increment shall be established and scheduled in the AFM.

[Issue: AWO/2]

AMC AWO.B.CATIII.118 Landing distance

This AMC applies when using HUDs in manual CAT III operations. A relevant feature of the HUD system to consider would be flare guidance.

Relevant procedural elements associated with using the HUD would be any specific aeroplane configuration, approach speed increment, thrust management or automatic throttle / thrust speed target.

The increment of the landing distance referred to in CS AWO.B.CATIII.118 when using a HUD may be derived as follows:

- (a) The configuration, procedure and speed should be those recommended in the associated procedures.
- (b) The distance from the runway threshold to the touchdown point should be the distance from the runway threshold to the glideslope origin (SO) plus the mean distance from the glideslope origin to touchdown (STD) plus three times the standard deviation of the distance from the glideslope origin to touchdown (σ STD).
- (c) The gross distance from touchdown to come to a complete stop should be determined in accordance with CS 25.125(b)(1) through (5), assuming a touchdown speed equal to the main touchdown speed plus three standard deviations of the touchdown speed.

Note: The main values and standard deviations considered in paragraphs (b) and (c) should be based on random variations as determined by AMC AWO.A.HUD.107. The systematic variation of parameters should cover the normal range of AFM conditions.

- (d) The landing distance should be taken as the distance from the runway threshold to the touchdown point, as defined in (b), i.e. $SO + STD + 3\sigma(STD)$, plus the ground-roll distance defined in (c).

- (e) The landing distance should include corrections for variations in glideslope angle and variations in glideslope height at the threshold. Alternatively, these effects may be included by the use of conservative assumptions in the basic presentation of data, with the applicable ranges stated in the AFM.

[Issue: AWO/2]

CONTROLS, INDICATORS AND ALERTS

CS AWO.B.CATIII.119 Mode selection and switching

The system shall be designed so that no manual selections or changes of switch settings need be made below a height of 150 m (500 ft) in normal operation, other than system disengagement or selection of automatic go-around as necessary.

[Issue: AWO/2]

CS AWO.B.CATIII.120 Indications and alerts

(See AMC1 AWO.B.CATIII.121 and AMC AWO.A.ALS.110)

- (a) The display of information to the flight crew, including that required to monitor the approach, flare and ground roll shall be compatible with the procedures specified in the AFM or flight crew operating manual as appropriate and with normal flight crew tasks.
- (b) Any malfunction of the landing system or of the xLS facility which requires a missed approach shall be positively and unambiguously annunciated to each pilot, so that pilot action may be initiated promptly without further interpretation. (See AMC 25.1322)
- (c) Notwithstanding (a) and (b), for fail-operational systems, failure warnings may be inhibited below alert height if:
- (1) the failure does not preclude continuation of an automatic landing; and
 - (2) the failure requires no specific action by the flight crew; and
 - (3) Information on the occurrence of any failure warnings so inhibited is subsequently available to flight and maintenance crews.
- (d) Where the capability of the aeroplane is dependent on equipment serviceability and modes selected, means shall be provided whereby the pilot can readily determine the capability at alert height (e.g. fail-operational status, ground-roll availability).

[Issue: AWO/2]

FAILURE CONDITIONS

CS AWO.B.CATIII.121 General

(See CS 25.1309 and its AMC, and AMC1 AWO.B.CATIII.121 and AMC2 AWO.B.CATIII.121)

- (a) The effects of failures of the flight guidance system including the navigation means (facilities external to the aircraft) shall be considered in accordance with CS 25.1309 and CS 25.1329.
- (b) The radio altimeter (or other device capable of providing equivalent performance and integrity level), and excess-deviation alerts shall comply with CS AWO.B.CATII.120 and CS AWO.B.CATII.121 respectively.

[Issue: AWO/2]

AMC1 AWO.B.CATIII.121 Flight demonstrations of failure conditions

1 Failures

1.1 Indications and alerts

Failure indications and alerts should be demonstrated. (See AMC 25.1309)

1.2 Effects

For compliance with CS 25.1309, the effects of failure conditions will need to be demonstrated including not only failures of the landing system but also failures in other aeroplane equipment which could affect the landing (e.g. engines, reverse thrust, nose-wheel steering) and failures in the xLS ground facility. Although this demonstration may be done primarily by using a ground simulation, some cases should also be demonstrated in flight to confirm the conclusions of the simulation. (See AMC 25.1309)

2 Crew errors

Individual landings additional to those of AMC AWO.A.ALS.106 paragraph 2.1 should be carried out to demonstrate that errors, which can reasonably be expected to occur, are not hazardous (e.g. asymmetric braking or reverse thrust, incorrect approach speed). (See AMC AWO.A.ALS.106 paragraph 2.2)

[Issue: AWO/2]

AMC2 AWO.B.CATIII.121 Flight crew and maintenance checks

When exposure times relevant to failure probability calculations are dependent on flight crew and maintenance checks (i.e. preflight, first flight of the day, pre-land, etc.) and/or inspection intervals for dormant (latent) failures, these tasks, time intervals and the recommended component monitoring programme should be specified in the AFM or maintenance manual as appropriate.

CS AWO.B.CATIII.122 Fail-passive automatic landing system (including super fail-passive system)

(See AMC1 AWO.B.CATIII.122(a) and AMC2 AWO.B.CATIII.122(a))

- (a) For a fail-passive automatic landing system, failure conditions resulting in the loss of automatic landing control capability below the DH shall not occur more frequently than once every thousand approaches.
- (b) For a fail-passive automatic landing system, any failure condition, which is not extremely remote, shall be automatically detected and neutralised before it has a significant effect on the trim, flight path or attitude.

[Issue: AWO/2]

AMC1 AWO.B.CATIII.122(a) and AWO.B.CATIII.123(a) Loss of system function

For compliance with CS AWO.B.CATIII.122(a) and CS AWO.B.CATIII.123(a), it may be necessary to measure monitored variables in flight to determine the probability that any monitored variable will reach a warning threshold.

(See AMC AWO.B.CATII.113)

[Issue: AWO/2]

AMC2 AWO.B.CATIII.122(a) Safety of the manual landing and go-around manoeuvres following a loss of the automatic control capability for fail-passive systems

1 Reliability

Certification flight test data may need to be supplemented by either in-service data or analysis to establish the required level of reliability.

2 Manual go-around

2.1 Safety considerations

- 2.1.1 Following a loss of the automatic pilot below the DH, it should be safe to execute and perform a manual go-around from any point on the approach down to touchdown, in all configurations to be certified. The manoeuvre should not require exceptional piloting skill, alertness or strength, and should ensure that the aeroplane remains within the obstacle limitation surface specified in ICAO Annex 14, for a precision approach runway Category II or III.

2.1.2 For aircraft for which a go-around from a very low altitude may result in inadvertent runway contact, the safety of the procedure should be established giving consideration to at least the following:

- a. Where the guidance information provided by the go-around mode is retained, it should be shown to have safe and acceptable characteristics throughout the manoeuvre.
- b. Other systems (e.g. automatic throttle / thrust, brakes, spoilers and reverse thrust) should not operate in a way that would adversely affect the safety of the go-around manoeuvre.

2.1.3 Non-normal procedures that are applicable following a loss of a fail-passive automatic landing system (see paragraph 3) may require reversion to manual control using primary display information such as attitude and airspeed, to perform a manual go-around. Where applicable, consideration should be given to failure conditions that could result in a loss of both the automatic landing system and the relevant primary display information.

2.2 Performance

The safety of the go-around manoeuvre may be determined by flight-testing (typically 10 go-arounds) supported, where necessary, by simulator testing.

If a loss of the automatic pilot can result in a loss of the flight director guidance, this should be considered during the performance demonstration.

3 Manual landing

Following a loss of the automatic control capability below the DH, a safe landing should be demonstrated in accordance with established procedures.

- a. The demonstration should take into account at least the following variables:
 - i. centre of gravity;
 - ii. landing weight; and
 - iii. wind conditions.
- b. If the demonstration is to be performed with a simulator, the simulator should be:
 - a) equipped with a visual system that provides an acceptable representation of the actual visibility conditions for which operational approval is sought; and
 - b) suitably validated by flight test demonstrations for the landing manoeuvre.
- c. The number of manual landings to be performed should be related to the probability of a loss of the automatic landing system below the DH.

4 Consideration of the effects of engine failure

4.1 Where the landing system provides automatic control of the rudder pedals, a demonstration should be made to show that, for automatic approaches initiated with all engines operating:

- a. automatic go-around, and

b. automatic landing

can be performed safely following the failure of any single engine at any point during the approach down to touchdown without the pilot needing to intervene and assume control.

- 4.2 The automatic pilot should remain engaged following the failure of any single engine, taking account of the loss of systems (e.g. electrical and hydraulic systems) associated with the failed engine.

[Issue: AWO/2]

CS AWO.B.CATIII.123 Fail-operational landing system (automatic or hybrid)

(See AMC2 AWO.B.CATIII.121)

- (a) For a fail-operational landing system, the probability of total loss of the landing system below the alert height shall be extremely remote. Demonstration of compliance shall be by means of a suitable analysis programme supported, where necessary, by a simulation and flight test programme (see AMC1 AWO.B.CATIII.122(a) and AMC AWO.B.CATIII.123(a). Special precautions shall be taken to ensure that redundant subsystems are not vulnerable to simultaneous disengagement or failure warning.
- (b) A fail-operational landing system shall operate as a fail-passive system following a first failure, which leads to a loss of the fail-operational capability.
- (c) A fail-operational automatic throttle/thrust system shall be provided unless the effect of a loss of the automatic speed control is minor.

[Issue: AWO/2]

AMC AWO.B.CATIII.123 Safety of the manual landing and go-around manoeuvres following a loss of the automatic control capability for fail-operational landing systems (automatic or hybrid)

1 Reliability

Certification flight test data may need to be supplemented by either in-service data or analysis to establish the required level of reliability.

2 Manual go-around

2.1 Safety considerations

- 2.1.1 Following a loss of the automatic pilot below the DH, it should be safe to execute and perform a manual go-around from any point on the approach down to touchdown, in all configurations to be certified. The manoeuvre should not require exceptional piloting skill, alertness or strength, and should ensure that the aeroplane remains within the obstacle limitation surface specified in ICAO Annex 14 for a precision approach runway Category II or III.

2.1.2 For aircraft for which a go-around from a very low altitude may result in inadvertent runway contact, the safety of the procedure should be established giving consideration to at least the following:

- a. Where the guidance information provided by the go-around mode is retained, it should be shown to have safe and acceptable characteristics throughout the manoeuvre.
- b. Other systems (e.g. automatic throttle, brakes, spoilers and reverse thrust) should not operate in a way that would adversely affect the safety of the go-around manoeuvre.

2.1.3 Non-normal procedures that are applicable following a loss of a fail-passive automatic landing system (see paragraph 3) may require the flight crew to revert to manual control using primary display information, such as attitude and airspeed, to perform a manual go-around. Where applicable, consideration should be given to failure conditions that could result in a loss of both the automatic landing system and the relevant primary display information.

2.2 Performance

The safety of the go-around manoeuvre may be determined by flight testing (typically 10 go-arounds) supported, where necessary, by simulator testing.

If a loss of the automatic pilot can result in a loss of the flight director guidance, this should be considered during the performance demonstration.

3 Manual landing

Following a loss of the automatic control capability below the DH, a safe landing should be demonstrated in accordance with established procedures.

- a. The demonstration should take into account at least the following variables:
 - i. centre of gravity (CG),
 - ii. landing weight, and
 - iii. wind conditions.
- b. If the demonstration is to be performed with a simulator, the simulator should be:
 - i. equipped with a visual system that provides an acceptable representation of the actual visibility conditions for which operational approval is sought; and
 - ii. suitably validated by flight test demonstrations for the landing manoeuvre.
- c. The number of manual landings to be performed should be related to the probability of a loss of the automatic landing system below the DH.

4 Consideration of the effects of engine failure

4.1 Where the landing system provides automatic control of the rudder pedals, a demonstration should be made to show that, for automatic approaches initiated with all engines operating:

- a. automatic go-around, and

b. automatic landing

can be performed safely following the failure of any single engine at any point during the approach down to touchdown without the pilot needing to intervene and assume control.

- 4.2 The automatic pilot should remain engaged following the failure of any single engine, taking account of the loss of systems (e.g. electrical and hydraulic systems) associated with the failed engine.

[Issue: AWO/2]

CS AWO.B.CATIII.124 Head-up display (or other form of guidance display) fail-operational hybrid landing system

(See AMC1 AWO.B.CATIII.121 and AMC2 AWO.B.CATIII.121)

Where a HUDLS is fitted for use in the event of automatic landing system failure, the combination of the two systems shall comply with CS AWO.A.ALS.111 and CS AWO.A.ALS.112. In addition, the failure modes of the display shall not lead a pilot to disengage a satisfactorily functioning autopilot and obey the malfunctioning display.

[Issue: AWO/2]

CS AWO.B.CATIII.125 Nose-wheel steering

(See AMC1 AWO.B.CATIII.121 and AMC2 AWO.B.CATIII.121)

In showing that the nose-wheel steering system complies with CS 25.745(c), account shall be taken of the effect of the visibility conditions on the ability of the pilot to detect steering faults and to take over control.

[Issue: AWO/2]

CS AWO.B.CATIII.126 Automatic go-around

Total failure (shutdown) of the xLS facility shall not result in a loss of the automatic go-around capability.

[Issue: AWO/2]

AEROPLANE FLIGHT MANUAL (AFM)

CS AWO.B.CATIII.127 General

(See AMC AWO.B.CATIII.127(a))

The AFM shall state the following:

- (a) limitations, including the minimum crew, alert height, the DHs for which the aeroplane is certified, etc. (see AMC AWO.B.CATIII.127(a));
- (b) the permitted configurations (e.g. flap setting, number of engines operating);
- (c) the normal and abnormal procedures (see AMC2 AWO.B.CATIII.121);
- (d) changes to the performance information, if necessary (e.g. the approach speed, landing distance required, go-around climb);
- (e) the minimum required equipment including flight instrumentation (see CS AWO.B.CATIII.113 and CS AWO.B.CATIII.114);
- (f) the height loss for go-around initiation heights below 30 m (100 ft), determined in accordance with AMC AWO.B.CATIII.112 paragraph 2a; and
- (g) the type of xLS navigation means (facilities external to the aircraft) and associated limitations (if any) which have been used as the basis for certification (see AMC AWO.B.CATIII.127(g)).

[Issue: AWO/2]

AMC AWO.B.CATIII.127(a) Aeroplane flight manual

Actual RVR minima to be used are subject to applicable operating regulations and may vary from one Member State to another taking account of local circumstances. For this reason, RVR minima should not be included in the aeroplane flight manual (AFM) as limitations. To aid operational assessment and the establishment of landing minima, the RVR values encountered during airworthiness certification should be given. In particular, the RVR values that are encountered during the certification of automatic or HUD ground-roll guidance should be provided in order to enable operational credits.

[Issue: AWO/2]

AMC AWO.B.CATIII.127(g) Aeroplane flight manual

The aeroplane flight manual (AFM) may contain a statement that the categories of xLS ground facilities which have been used as the basis for certification should not be taken as a limitation. In that case, the AFM should also contain a statement that some Category I xLS ground facilities may be suitable for use by the approach and landing system.

[Issue: AWO/2]

CERTIFICATION DOCUMENTATION

CS AWO.B.CATIII.128 Documentation required

Documentation providing the following information is required for certification:

- (a) A specification of the aeroplane and the airborne equipment.

- (b) Evidence that the equipment and its installation comply with the applicable standards.
- (c) A failure analysis and an assessment of system safety (see AMC 25.1309).
- (d) A performance analysis demonstrating compliance with the performance criteria of CS AWO.B.CATIII.115, CS AWO.B.CATIII.116 and CS AWO.B.CATIII.117 (see CS AWO.A.ALS.106(b)).
- (e) Flight test results including validation of any simulation.
- (f) Limitations on the use of the system and crew procedures to be incorporated in the AFM;
- (g) Evidence that the crew workload complies with CS 25.1523.
- (h) Inspection and maintenance procedures shown to be necessary by the system safety assessment (see CS 25.1529).

[Issue: AWO/2]

SECTION 5 — AIRWORTHINESS CERTIFICATION OF AEROPLANES FOR OPERATIONAL CREDITS FOR VISUAL SEGMENT IN REDUCED RUNWAY VISUAL RANGE (RRVR)

CS AWO.B.RRVR.101 Applicability

An aeroplane shall be considered to be eligible for operational credit if it has been demonstrated that the aeroplane complies with Subpart A Section 3 (EFVS) of this certification specification and by inference with the applicable provisions of Subpart A Section 2 (HUD).

[Issue: AWO/2]

SUBPART C — TAKE-OFF

SECTION 1 — AIRWORTHINESS CERTIFICATION OF AEROPLANES FOR TAKE-OFF OPERATIONS (TOOs) IN LOW VISIBILITY

CS AWO.C.TOO.101 Applicability

The certification specifications of this Subpart are applicable to aeroplanes for which certification is sought to allow the performance of take-off in visibility lower than that which is sufficient to ensure that the pilot will at all times have sufficient visibility to complete or abandon the take-off safely. This Subpart is only concerned with directional guidance during the ground-borne portion of the take-off (i.e. from start to main-wheel lift-off, or standstill in the event of abandoned take-off). (See AMC AWO.C.TOO.101)

[Issue: AWO/2]

AMC AWO.C.TOO.101 Applicability and terminology

An aeroplane with a basic airworthiness approval is eligible for take-off in reported visibility conditions which are sufficient to ensure that the pilot will at all times have sufficient visibility to complete or abandon the take-off safely. The purpose of this Subpart is to specify the supplementary airworthiness criteria for aeroplanes equipped to take off in lower visibility conditions. This Subpart is only concerned with directional guidance during the ground-borne portion of the take-off (i.e. from start to main wheel lift-off, or standstill in the event of abandoned take-off).

The RVR limits for take-off of transport aircraft are set by the responsible national authority in accordance with the applicable operating regulations. The purpose of the guidance system, which is the subject of these requirements, is to permit a reduction of these limits but not to allow a take-off in visibility below the minimum necessary for a normal take-off using visual reference.

The requirements are based on the assumption that, if the take-off guidance system is based on xLS information, operational precautions are taken to ensure that the localiser signal is suitable (e.g. in each case the ILS, the localiser is Category III, or the airborne system has been shown to perform satisfactorily on that installation). For other xLS systems, it should be verified that the runway is covered by the systems' service volume (e.g. GBAS point).

Terminology

'Take-off guidance system': a take-off guidance system provides directional guidance information to the flight crew during the take-off or abandoned take-off. It includes all the airborne sensors, computers, controllers and indicators necessary for the display of such guidance. Guidance normally takes the form of command information, but it may alternatively be situation (or deviation) information.

System concept

The criteria for a take-off guidance system given in the points that follow are intended to provide for a reduction in take-off minima to a level where the pilot can normally line up on the runway centre line and carry out the take-off by visual reference, but where the visibility is sufficiently low that:

- (a) any further reduction in the visibility which may be encountered during the take-off run would make directional control by visual reference alone difficult; or
- (b) significant deviations from the runway centre line may be difficult to correct by visual reference alone.

Visual reference remains the primary means of guidance, with the system providing reversionary guidance. The pilot would, therefore, not commence the take-off run unless the prescribed visual reference had been acquired and the values of the RVR reported were adequate.

Experience indicates that pilots are able to hold the centre line in very low visibility conditions (e.g. one or two lights visible at one time), and that this ability improves as the speed increases. However, in such low visibility conditions, the pilot may over-control in attempting to return to the centre line if the aeroplane deviates for any reason, and the reducing speed of an abandoned take-off may be the most critical phase in this respect.

[Issue: AWO/2]

CS AWO.C.TOO.102 Safety level ~~B.RRVR.101 Applicability~~

The safety level in take-off in low visibility shall not be less than the average safety level achieved in take-off in good visibility.

[Issue: AWO/2]

AMC AWO.C.TOO.102 Safety level

In showing compliance with the performance and failure requirements, the probabilities of performance or failure effects may not be factored by the proportion of take-offs performed in low visibility conditions.

[Issue: AWO/2]

CS AWO.C.TOO.103 Guidance information

The take-off guidance system shall provide guidance information which will, in the event of loss of visual references during the take-off, enable the pilot to control the aeroplane to the runway centre line during the take-off or abandoned take-off using the normal steering controls. Its use shall not require exceptional piloting skill or alertness.

[Issue: AWO/2]

CS AWO.C.TOO.104 Guidance display

- (a) The take-off guidance information shall be provided in such a form that it is immediately usable by the pilot who performs the take-off. Its use shall not require the pilot to refer to the instrument panel for this information, nor shall it require the other pilot to take control of the aeroplane. Reversion to the system shall be easy and natural.
- (b) The information display shall be usable in all appropriate conditions of ambient light, runway lighting and visibility.
- (c) The system shall be designed to minimise crew errors. (See AMC AWO.C.TOO.104(c))

[Issue: AWO/2]

AMC AWO.C.TOO.104(c) Guidance display

The system should be so designed that it is obvious whether the pilot has not taken all the actions necessary for its correct operation.

[Issue: AWO/2]

EQUIPMENT

CS AWO.C.TOO.105 Minimum equipment

The minimum equipment, which shall be serviceable at the start of the take-off for compliance with the general criteria of this Subpart and those relating to performance and failure conditions, shall be established and articulated.

[Issue: AWO/2]

PERFORMANCE

CS AWO.C.TOO.106 Performance demonstration

(See AMC AWO.C.TOO.106 and Figure 1)

- (a) It shall be demonstrated that the performance of the take-off guidance system is such that the aeroplane will not deviate significantly from the runway centre line during take-off while the system is being used within the limitations established for it. Compliance may be demonstrated by flight test, or by a combination of flight test and simulation. Flight testing shall cover those factors affecting the behaviour of the aeroplane.
- (b) In the event that the aeroplane is displaced from the runway centre line at any point during the take-off or abandoned take-off, the system shall provide such guidance as would enable the pilot to control the aeroplane smoothly back to the runway centre line without any sustained nuisance oscillation.

- (c) In the event of an engine failure, if the pilot follows the guidance information and disregards external visual reference, the lateral deviation of the aeroplane shall remain safely within the confines of the runway.

[Issue: AWO/2]

AMC AWO.C.TOO.106 Performance

(See also Figure 1)

The factors that affect the behaviour of the aeroplane include, for example, wind conditions, xLS ground facility characteristics, aeroplane configurations, weight, and centre of gravity (CG), and should be covered by flight testing.

The demonstration of system performance should comprise at least the following:

- 10 all-engine take-offs;
- 3 take-offs with simulated failure of the critical engine at $V_{1MIN} + 10$ kt; and
- 2 rejected take-offs with simulated failure of the critical engine at V_1 .

Half of the all-engines take-offs and two of each of the engine failure conditions should be carried out in crosswinds equal to or greater than the level being sought for certification with optional aeroplane and runway configurations. The remainder should be carried out in optional winds in the most adverse aeroplane configuration at two different runways, which represent the reasonable extremes of those likely to be used in service.

In the engine failure take-offs, V_R should not be less than 28 km/h (15 kt) above the engine failure speed and should be delayed until the path of the aeroplane has stabilised and the aeroplane is converging with the centre line.

The take-off may begin using external visual reference but, from a speed no greater than 50 % of V_1 , the guidance commands should be followed as accurately as possible without using the external view. To ensure that this is done, it is recommended that the windscreen be blanked.

For xLS-based systems, compliance may be shown using an xLS, which complies with the requirements for Category III Operations in relation to centring error and beam bends along the runway. Allowance may be made for long-term perturbations of the xLS localiser.

[Issue: AWO/2]

CS AWO.C.TOO.107 Limitations and procedures

Limitations on the use of the system and appropriate procedures shall be established, where these are necessary for compliance with CS AWO.C.TOO.106. Account should be taken of the method by which the system defines the runway centre line and associated errors or delays.

[Issue: AWO/2]

CONTROLS, INDICATORS AND ALERTS

CS AWO.C.TOO.108 Alerts

(See AMC AWO.C.TOO.108)

- (a) System alerts shall be so designed and located as to ensure rapid recognition of failures.
- (b) The information display and system alerts shall not distract the pilot making the take-off or significantly degrade forward view.

[Issue: AWO/2]

AMC AWO.C.TOO.108 Alerts

- (a) The system should be so designed that, wherever practicable, a failure will cause the immediate removal of incorrect guidance information from view.
- (b) If failure indications are provided during take-off, these should not be such as to distract the pilot (e.g. a persistent flashing light) when controlling the aeroplane by visual reference.

[Issue: AWO/2]

FAILURE CONDITIONS (SEE AMC 25.1309)

CS AWO.C.TOO.109 Guidance system

- (a) The take-off guidance system shall be such that the display of incorrect guidance information to the pilot during the take-off run is assessed as remote. In demonstrating compliance with this criterion account need only be taken of incorrect guidance of such magnitude that it would lead to the aeroplane deviating from the runway, if it is followed.
- (b) The probability of loss of take-off guidance during the take-off shall be assessed as remote.

[Issue: AWO/2]

CS AWO.C.TOO.110 Aeroplane failures

Any single failure of the aeroplane which disturbs the take-off path (e.g. engine failure) shall not cause loss of guidance information or give incorrect guidance information.

[Issue: AWO/2]

AEROPLANE FLIGHT MANUAL (AFM)

CS AWO.C.TOO.111 General

In relation to the approval of the aeroplane for take-off in reduced visibility, the AFM shall state:

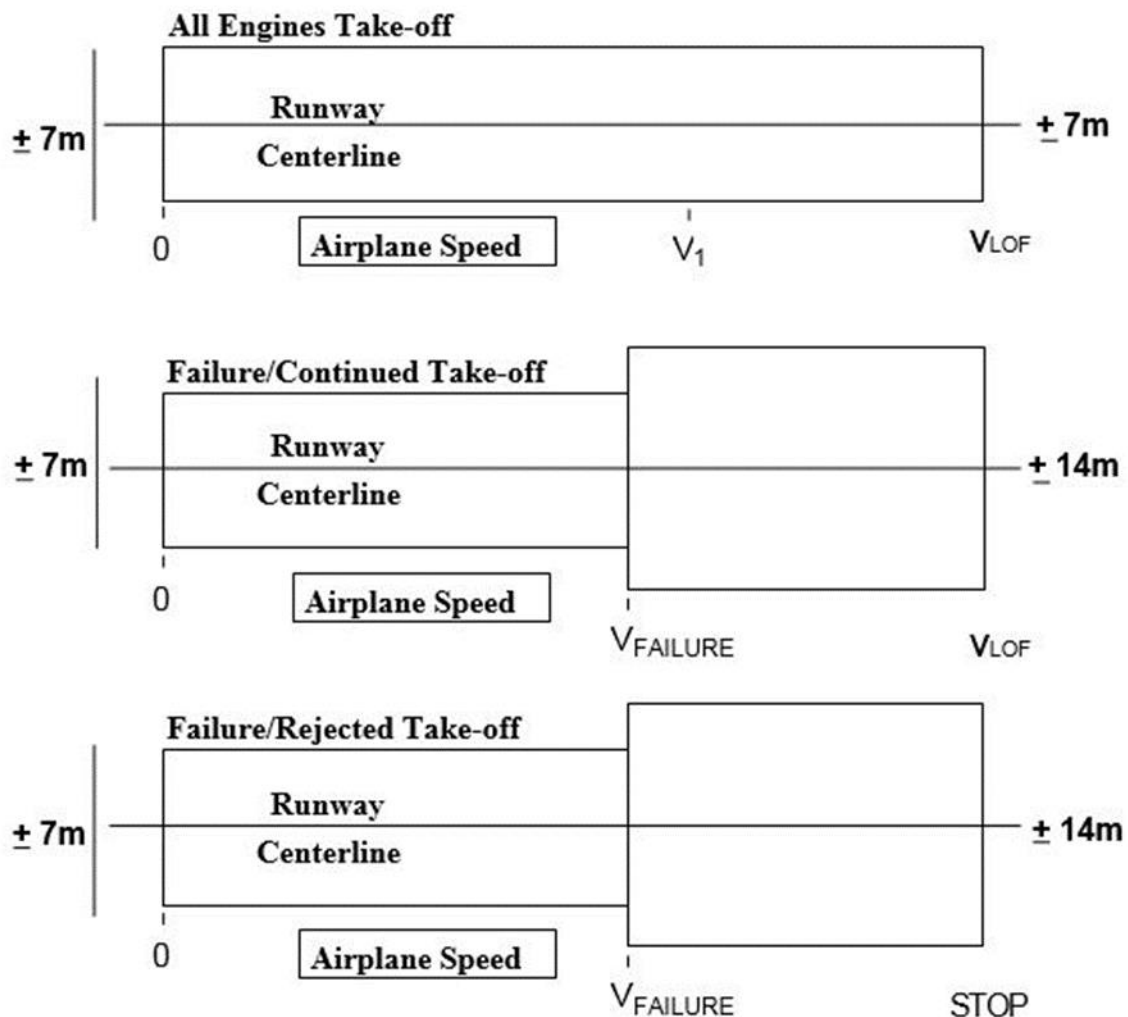
- (a) the limitations;
- (b) the normal and abnormal procedures, including where appropriate, the most critical conditions demonstrated; and
- (c) the minimum required equipment.

[Issue: AWO/2]

AMC AWO.C.TOO.111 Aeroplane flight manual — General

- (a) The aeroplane flight manual (AFM) should contain a statement that a system that complies with the requirements of this Subpart is approved for reversionary use only. Visual reference should be the primary means of guidance, and the pilot should not commence the take-off run unless the visual reference and the reported RVR are within the prescribed limits.
- (b) Actual RVR minima to be used are subject to the applicable operating regulations and may vary from one Member State to another taking account of local circumstances. For this reason, RVR minima should not be included in the AFM as limitations. To aid operational assessment and the establishment of take-off minima, the RVR values encountered during airworthiness certification may be given.

[Issue: AWO/2]



V_1 — take-off decision speed

$V_{FAILURE}$ — speed at which failure occurs

V_{MCG} — ground minimum control speed

V_{LOF} — lift-off speed

Note 1: When showing compliance, the demonstrated lateral path after lift-off may be adjusted for wind drift effect.

Note 2: The 14 m lateral region addresses tracking on the runway surface.

Note 3: The FAA expects the pilot to position the aircraft on the runway centre line. Once on the runway, the take-off guidance system should provide an indication to confirm proper operation.

Note 4: The lateral tracking criteria are referenced to the lateral offset of the aircraft's centre line between the main landing gear (or aircraft centre of gravity).

Figure 1: Deviation envelopes (centre of main wheels)

GENERAL ACCEPTABLE MEANS OF COMPLIANCE

AMC AWO-1 All-weather operations recertification following the installation of new or modified navigation receivers providing xLS capability

1 Purpose

The purpose of this AMC is to provide acceptable means of compliance for retrofit certifications, addressing the certification of xLS receivers in the so-called 'ILS lookalike' applications, and the certification of ILS installations with either new or modified receivers.

2 Scope

CS AWO already provide acceptable means of compliance for the certification of new xLS installations. Where, for an already certified installation, it is established that the proposed new or modified navigation receiver configuration can be considered to have 'ILS lookalike' characteristics, the contents of this AMC may be used as an alternative for that part of the certification affected by the revised installation.

This AMC provides acceptable means of compliance for the approval of all-weather operations. Other generic certification processes (such as software, equipment, and radio approvals, etc.) remain equally applicable to new and retrofit applications. These general certification considerations are summarised for reference in paragraph 5 below.

3 Definitions

'ILS lookalike' is the ability of a non-ILS-based navigation receiver function to provide operational characteristics and interface functionality to the rest of the aircraft equivalent to those provided by an ILS-based receiver function. Specifically, in the case of an xLS receiver function, the output should be in DDM/micro amps, with a sensitivity equivalent to an ILS receiver taking account of the effects of the runway length.

'Impact assessment' is the justification that is provided, usually in a certification plan, to determine the scope of work and certification activity that are required for a retrofit certification.

4 Related requirements and documents

This AMC provides another means of compliance for retrofit certifications to the following CS-AWO and CS-25 AMC material.

AMC AWO.A.ALS.106 Paragraph 2.1	Flight demonstration — Programme of landings for certification
AMC AWO.B.CATII.113 Paragraph 1.1	Flight demonstration — Continuous method (analysis of maximum value)
AMC AWO.B.CATIII.115	Performance demonstration
AMC1 AWO.B.CATIII.121	Flight demonstration of failure conditions
AMC AWO.C.TOO.106	Performance (interpretative material)
AMC 25.1329 Paragraph 5.3.4.	Paragraph 5.3.4 <i>Flight demonstration of autopilot failure conditions coupled to an ILS glide path</i>

5 General certification considerations

5.1 Certification process

An 'impact assessment' is required to determine the tasks that are required to achieve approval of the new receiver functionality in a retrofit application. Based on the 'impact assessment', the certification plan should consider:

- (a) the differences between the current basis of certification and that requested (if applicable);
- (b) the functionality being added; and
- (c) the credit that can be taken for the existing approval.

5.2 Equipment approval

Suitable procedures for equipment approval should be employed. CS-ETSO compliance should be demonstrated, where appropriate, including software qualification and receiver environmental qualification to the appropriate levels.

5.3 Aircraft installation approval (CS-25)

The following should be considered for the approval of the installation:

- (a) impact on aeroplane system safety assessments (SSAs);
- (b) radio approval (e.g. antenna positions, range, polar diagrams, coverage, compatibility between receiver and antenna);
- (c) electromagnetic interference (EMI) / electromagnetic compatibility (EMC) testing;
- (d) functional integration aspects of the receiver with respect to other systems, controls, warnings, and displays;
- (e) electrical loading;
- (f) flight data recorder requirements;
- (g) impact on the AFM; and
- (h) certification means of compliance for the receiver installation, e.g. ground and/or flight testing.

6 CS-AWO recertification of the xLS function following the introduction of a new or modified xLS navigation receiver installation

The magnitude of the certification programme will be based upon an 'impact assessment' of the differences between the configuration offered for certification and the pre-existing xLS receiver system installed in a given aircraft type. The 'impact assessment' should establish the basis and rationale for the work to be accomplished to achieve certification.

6.1 Impact assessment

The impact assessment should assess the following aspects of the new or modified xLS receiver, or receiver function, for equivalence with the existing xLS receiver configuration:

- (a) hardware design;
- (b) software design;

- (c) signal processing and functional performance;
- (d) failure analysis; and
- (e) receiver function, installation and integration (e.g. with controls, indicators and alerts).

The impact assessment should also identify any additional considerations. This may include:

- (a) any functionality, or provisions for future functionality, which have no impact on the functionality for which certification is sought; and
- (b) any shared resources, which will support future functionality.

Based upon the assumption that the xLS receiver, or receiver function, can be shown to be equivalent to the current xLS configuration, it may be proposed that the new installation be treated as a new xLS receiver for approval on a given aeroplane type.

6.2 Failure analysis

The failure characteristics of the new or modified installation should be reviewed in the context of the safety assessments of systems using xLS data, to ensure that the failure characteristics are equivalent to, or are compatible with and do not invalidate, the current safety assessments.

6.3 Flight testing

For an installation which can be treated as a new xLS receiver, a flight test programme of typically a minimum of 10–15 approaches terminating in an automatic landing and roll-out (if applicable) using the flight control/guidance system, including a minimum of 2 xLS facilities should be carried out. The approaches should include captures from both sides of the beam.

The approach and landing performance (flight path deviation, touchdown data, etc.), as appropriate, should be shown to be equivalent to that achieved in the original xLS certification. Recorded flight test data may be required to support the equivalency demonstration.

A demonstration of take-off guidance performance should be included where applicable.

6.4 Antenna location

The implication of differences in the position of the xLS aircraft antennas should be assessed for their impact on:

- (a) the wheel-to-threshold crossing height; and
- (b) the lateral and vertical performance.

6.5 Statistical performance assessment

The statistical performance assessment of a currently certified automatic landing system or a HUD system should not have to be reassessed for the addition of the xLS functionality to the aircraft provided the xLS receiver (or the xLS partition of a multi-mode receiver (MMR)) is shown to have satisfactory 'ILS lookalike' characteristics. This assumes that the flight control / guidance system control algorithms are unchanged.

6.6 Documentation

The following documentation should be provided for certification:

- (a) an impact assessment including effects on system safety assessments (SSAs);
- (b) a flight test report; and
- (c) revisions to the AFM, where appropriate.

[Issue: AWO/2]